

## D-SUB crimp contact - CUC-DSC-J1BAU-S/DSC24 - 1418788

Please be informed that the data shown in this PDF Document is generated from our Online Catalog. Please find the complete data in the user's documentation. Our General Terms of Use for Downloads are valid (<http://phoenixcontact.com/download>)



D-SUB crimp contact, connection method: Crimp connection, connection cross section: AWG 24- 20

### Product Description


Standard contact for D-SUB contact inserts

### Your advantages

- Various connection methods for every application
- High grade
- Turned contact



### Key Commercial Data

Packing unit	1 pc
Minimum order quantity	100 pc
GTIN	 4 055626 150758
GTIN	4055626150758
Weight per Piece (excluding packing)	0.020 g
Custom tariff number	85366990
Country of origin	Switzerland

### Technical data

#### Mechanical characteristics

Connection method	Crimp connection
AWG solid min.	24
AWG solid max.	20
Conductor cross section	0.2 mm <sup>2</sup> ... 0.5 mm <sup>2</sup>

# D-SUB crimp contact - CUC-DSC-J1BAU-S/DSC24 - 1418788

## Technical data

### Mechanical characteristics

Weight	0.211 g
--------	---------

### Ambient conditions

Ambient temperature (operation)	-55 °C ... 130 °C
---------------------------------	-------------------

### Material data

Contact surface material	0.2 µm, gold over nickel
Contact material	Copper alloy
Width	1.7 mm
Height	1.7 mm
Length	13.7 mm
Mounting type	Crimp connection

### Electrical characteristics

Rated current	5 A (at 20 °C)
Test voltage	1500 V

### Standards and Regulations

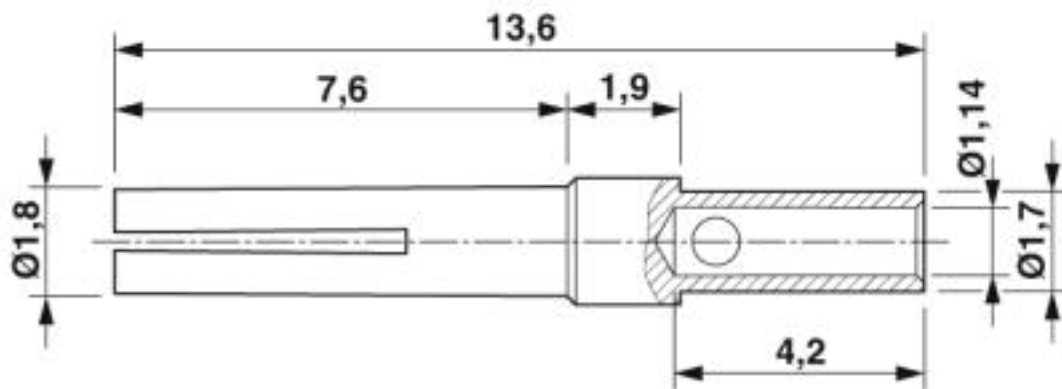
Standards/specifications	DIN 41652
--------------------------	-----------

### Environmental Product Compliance

REACH SVHC	Lead 7439-92-1
China RoHS	Environmentally friendly use period: unlimited = EFUP-e
	No hazardous substances above threshold values

## Drawings

Dimensional drawing



D-SUB crimp contact pin

# D-SUB crimp contact - CUC-DSC-J1BAU-S/DSC24 - 1418788

## Classifications

### eCl@ss

eCl@ss 10.0.1	27440204
eCl@ss 4.0	27260700
eCl@ss 4.1	27260700
eCl@ss 5.0	27260700
eCl@ss 5.1	27261200
eCl@ss 6.0	27261200
eCl@ss 7.0	27440204
eCl@ss 8.0	27440204
eCl@ss 9.0	27440204

### ETIM

ETIM 2.0	EC000796
ETIM 3.0	EC000796
ETIM 4.0	EC000796
ETIM 5.0	EC000796
ETIM 6.0	EC000796
ETIM 7.0	EC000796

### UNSPSC

UNSPSC 6.01	30211923
UNSPSC 7.0901	39121522
UNSPSC 11	39121522
UNSPSC 12.01	39121522
UNSPSC 13.2	39121522
UNSPSC 18.0	39121522
UNSPSC 19.0	39121522
UNSPSC 20.0	39121522
UNSPSC 21.0	39121522

## Approvals

### Approvals

---

Approvals

EAC

---

Ex Approvals

## D-SUB crimp contact - CUC-DSC-J1BAU-S/DSC24 - 1418788

### Approvals

---

#### Approval details

EAC		B.01742
-----	---	---------

### Accessories

#### Accessories

##### Crimping tool

Crimping pliers - CRIMPFOX-TC MP - 1212510



Crimping pliers, for turned contacts, universal cross section setting, up to a maximum of 2.5 mm<sup>2</sup>, digital display with 0.01 mm increments, pressure lock can be unlocked, including positioning tool

---

#### Female insert

D-SUB contact support - VS-09-BU-DSUB-CD-B - 1688861



D-SUB contact carrier, shell size 1, for nine signal contacts, type of contact socket, for crimp contacts, straight, fixing with a 3 mm hole, for panel mounting frame and sleeve housing VS-09-...

---

D-SUB contact support - VS-15-BU-DSUB-CD-OG - 1688942



D-SUB contact carrier, shell size 2, for 15 signal contacts, type of contact socket, for crimp contacts, straight, fixing with a 3 mm hole, for panel mounting frame and sleeve housing VS-15-...

## D-SUB crimp contact - CUC-DSC-J1BAU-S/DSC24 - 1418788

### Accessories

D-SUB contact support - VS-25-BU-DSUB-CD-B - 1689967



D-SUB contact carrier, shell size 3, for 25 signal contacts, type of contact socket, for crimp contacts, straight, fixing with a 3 mm hole, for panel mounting frame and sleeve housing VS-25-...

D-SUB contact support - VS-09-BU-DSUB-CD-G - 1688845



D-SUB contact carrier, shell size 1, for nine signal contacts, type of contact socket, for crimp contacts, straight, fixing with M thread, for panel mounting frame VS-09-...

D-SUB contact support - VS-15-BU-DSUB-CD-MG - 1688926



D-SUB contact carrier, shell size 2, for 15 signal contacts, type of contact socket, for crimp contacts, straight, fixing with M3 thread, for panel mounting frame VS-15-...

D-SUB contact support - VS-25-BU-DSUB-CD-G - 1689941



D-SUB contact carrier, shell size 3, for 25 signal contacts, type of contact socket, for crimp contacts, straight, fixing with M3 thread, for panel mounting frame VS-25-...

Tool - VS-IET-DSUB-SIGNAL-STD - 1658794



Insertion/extraction tool, to insert and extract the D-SUB standard signal contacts

