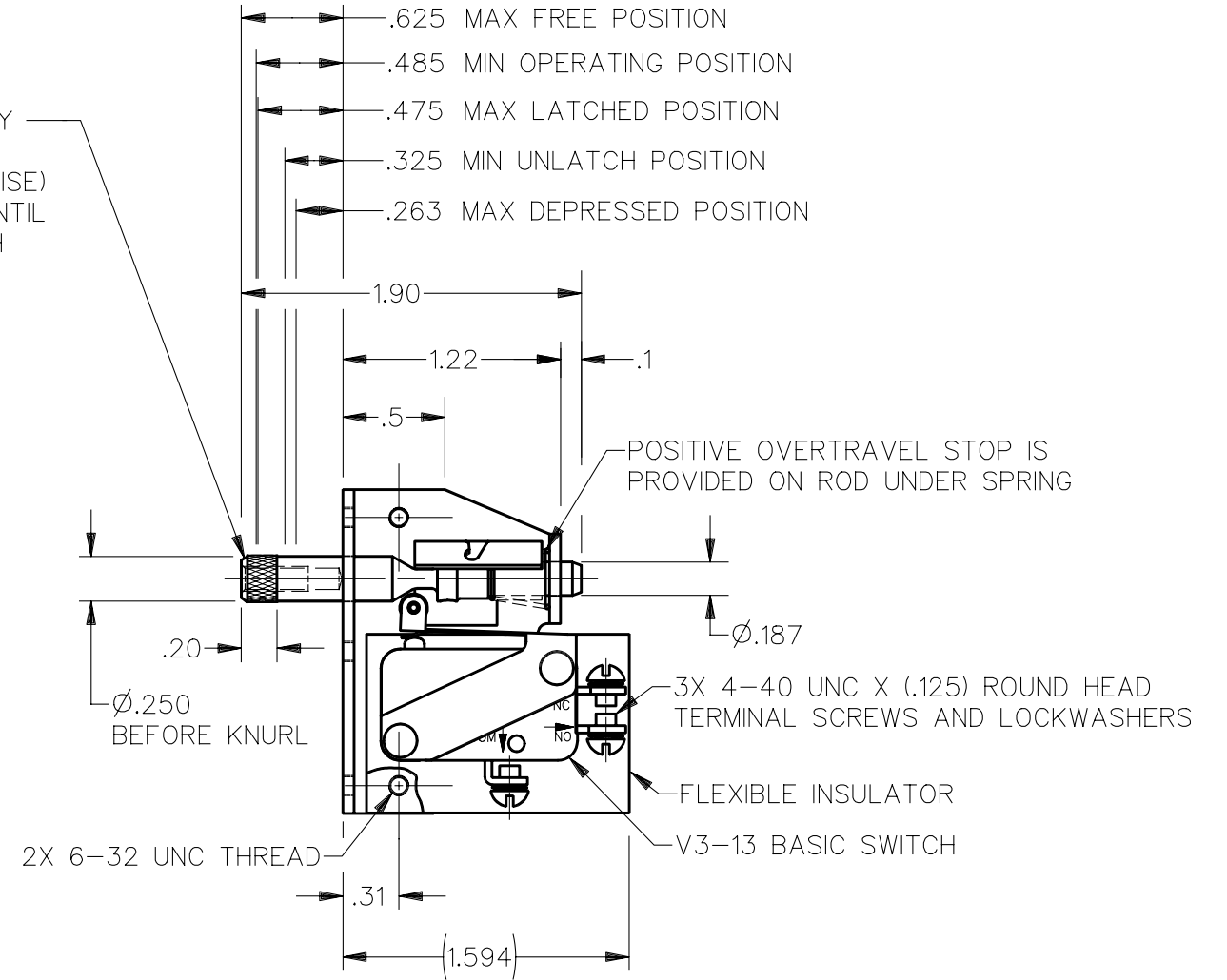
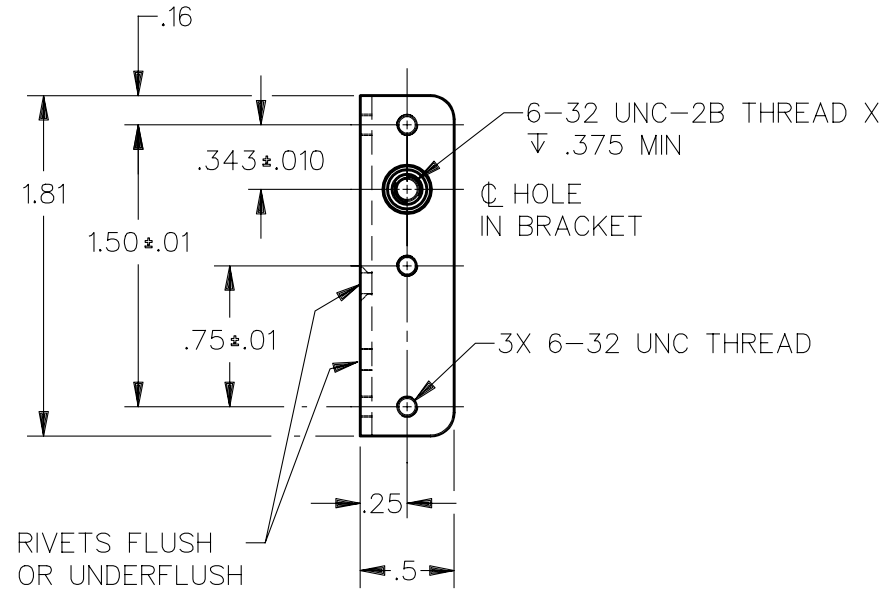


PUSH TO OPERATE - RETURNS AUTOMATICALLY TO POSITION SHOWN  
PUSH AND TURN (APPROXIMATELY 60° CLOCKWISE) TO LATCH. REMAINS IN OPERATED POSITION UNTIL RESET FOR AUTOMATIC RETURN BY NEXT PUSH OPERATION  $\triangle 3$

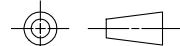


NOTES

- 1 - PLASTIC PARTS ARE MADE OF MINERAL FILLED PHENOLICS
  - 2 - WITH ROD IN ACTUATED POSITION, BASIC SWITCH PLUNGER MUST HAVE .010 MIN OVERTRAVEL AND WITH ROD IN FREE POSITION BASIC SWITCH PLUNGER MUST HAVE .005 MIN RELEASE TRAVEL
- $\triangle 3$  PLUNGER MUST BE DEPRESSED TO WITHIN .325 FROM THE FRONT SURFACE OF MOUNTING BRACKET TO ASSURE RESET FOR AUTOMATIC RETURN

THIS DRAWING COVERS A PROPRIETARY ITEM AND IS THE PROPERTY OF MICRO SWITCH, A DIVISION OF HONEYWELL. THIS DRAWING IS NOT TO BE COPIED OR USED WITHOUT THE APPROVAL OF MICRO SWITCH

THIRD ANGLE PROJECTION



SCALE FULL

DO NOT SCALE PRINT

UNLESS OTHERWISE SPECIFIED TOLERANCES ARE

ONE PLACE	(.0)	±.030
TWO PLACE	(.00)	±.015
THREE PLACE	(.000)	±.005
ANGLES		±

WEIGHT .094 LB (APPROX)

CHARACTERISTICS	ELECTRICAL DATA
TOTAL TRAVEL — — — .360 APPROX FULLY DEPRESSED FORCE — — — 4 LBS MAX	CONTACT ARRANGEMENT S P D T

15.1A 1/2HP 125, 250 VAC 1/2A 125 VDC, 1/4A 250 VDC 5A 125 VAC "L"
--

ANSI Y14.5M-1982 APPLIES