

GENERAL OPERATING CHARACTERISTICS

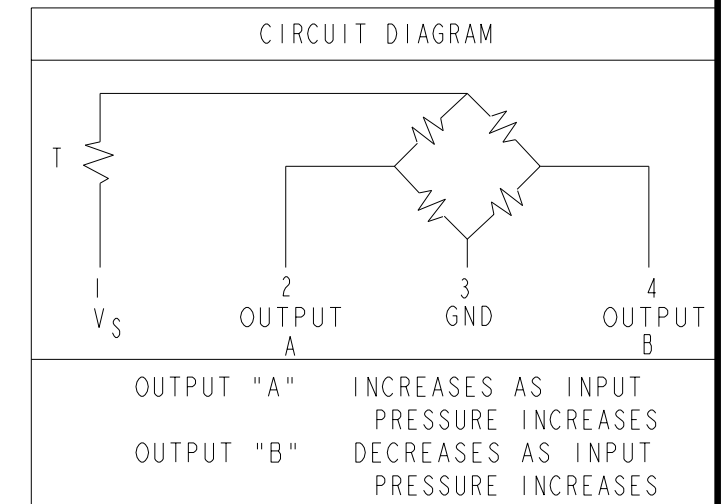
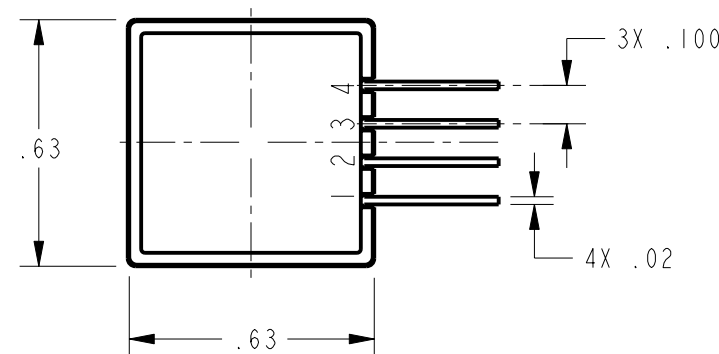
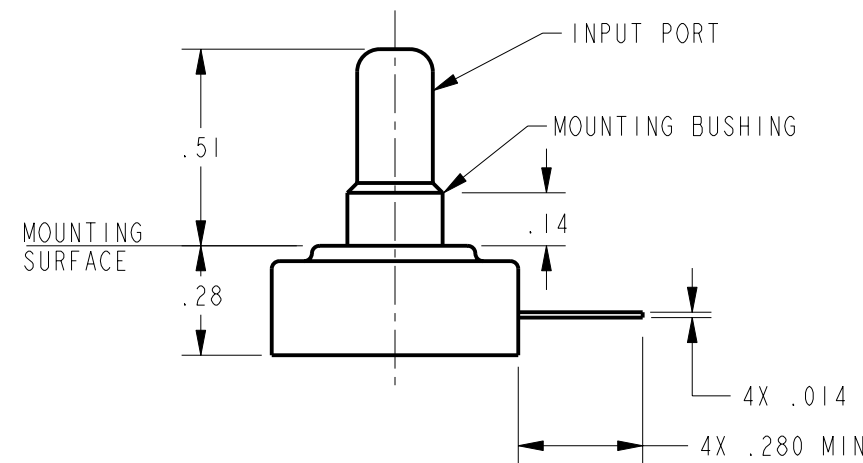
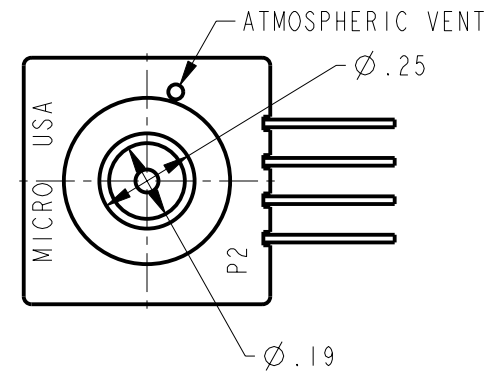
PRESSURE RANGE	0 TO 51.714 mmHg (0 TO 1 PSIG)
OVERPRESSURE	1035 mmHg (20 PSI)
TEMPERATURE RANGES	
STORAGE	-55° TO +125°C
OPERATE	-40° TO +85°C
COMPENSATED	0°C TO +50°C
SUPPLY VOLTAGE	16 VDC MAX
INPUT RESISTANCE	6800 OHM TYP

ELECTRICAL PERFORMANCE AT 10.00±.01 VDC SUPPLY AND +25°C

NULL OFFSET	0 ± 1 mV (AT 0 PSI)
F.S.O. / 3	20 ± 1.5 mV (0 to 1 PSI)
LINEARITY (BFSL)	
INPUT < VENT	± .5% F.S.O. MAX $\triangle/3$
INPUT > VENT	± 1.0% F.S.O. MAX $\triangle/3$
HYSTERESIS & REPEATABILITY	± .15% F.S.O. TYP $\triangle/3$

TEMPERATURE ERROR (25°C TO 0°C OR 25°C TO 50°C)

NULL SHIFT	± 4 mV MAX
SENSITIVITY SHIFT	± 3.0% F.S.O. MAX $\triangle/3$



- NOTES**
- 1 - TERMINALS ARE PLATED FOR SOLDERING
 - 2 - LIMIT SOLDERING TO 315°C MAX FOR 10 SECONDS MAX
 - 3 - F.S.O. IS THE ALGEBRAIC DIFFERENCE BETWEEN THE OUTPUT END POINTS (NULL AND FULL PRESSURE)
 - 4 - INPUT MEDIA LIMITED ONLY TO THOSE MEDIA THAT WILL NOT ATTACK POLYESTER, SILICON OR SILICONE BASED ADHESIVE

THIRD ANGLE PROJECTION	
SCALE	2:1
DO NOT SCALE PRINT	
UNLESS OTHERWISE SPECIFIED TOLERANCES ARE	
ONE PLACE	(.0) ±.030
TWO PLACE	(.00) ±.015
THREE PLACE	(.000) ±.005
ANGLES	±
WEIGHT	

CATALOG LISTING
 136PC01G2
 PAGE 1 OF 1
 RELEASE NO. CO-77378
 REPLACES -
 ISSUE 2
 CHECK
 REVISIONS
 A 206109
 C S L
 1 AUG 02
 CHECK
 S A V
 1 AUG 02
 CHECK
 PTC/CAD 2D
 DRAWN
 C S L
 1 AUG 02
 CHECK
 ANSI Y14.5M-1982 APPLIES