



This drawing is not to be disclosed to a third party without the written authority from the company.

Title: Silicone reel assembly

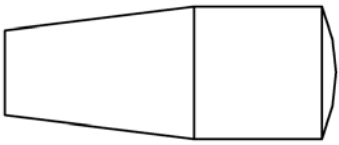
Material: N/A

Rev	Details	Date	Drawn
4			
3			
2	Of Plug changed to OR Plug	14/09/04	Vince
1	Production issue	05/11/03	Rich
-	Pre-Production issue	5/11/03	Rich

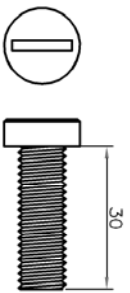
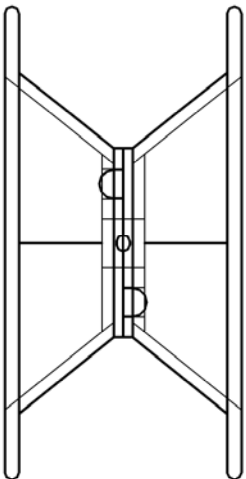
Part No: 134328

Project No: 1720

Black bakelite handle: 116302



Reel moulding x 2: 113449



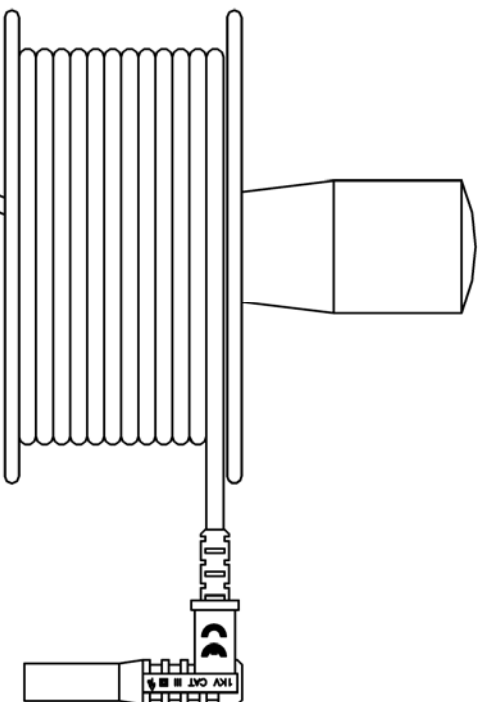
Slotted cheese head screw: 116303

D/S Cable: 119054 Cut length as required

CS Socket: 125046



OEM OR Plug: 125076



Assembly Jig Numbers

#####=J###

#####=J###

Printing as illustrated  
Packaging: Poly bag (111518)

Tolerances:  
Cable Lengths +/- 5%

Do Not Scale All Dimensions In MM

1 2 3 4 5 6 7 8 9 10 11 12

H G F E D C B A