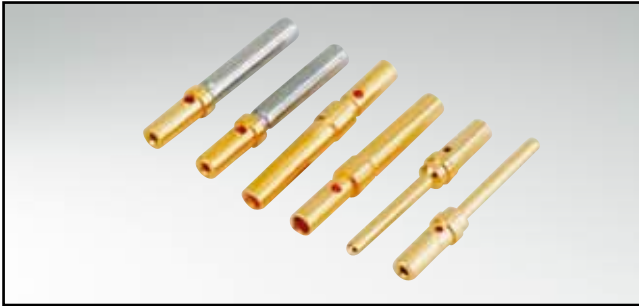


COMBINATION D-SUB CONTACTS

Crimp contacts – Precision machined – For wire size AWG 20...24 and AWG 26...28



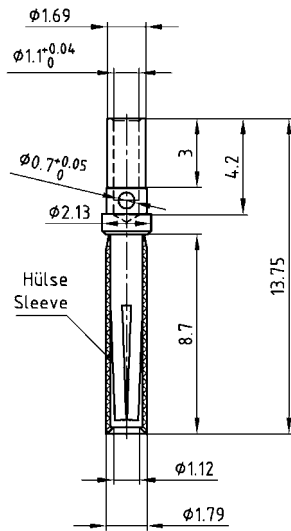
RoHS compliant – CSA listed, File No.: LR 115000-1 – UL listed, File No.: E 228329

DESCRIPTION

- For wire size AWG 20...24 and AWG 26-28
- Quality class 3, quality class 1 also available
- Other quality classes on request

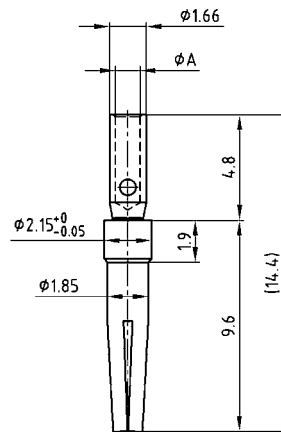
PRODUCT DRAWING

Signal socket crimp contact
(Closed entry version)

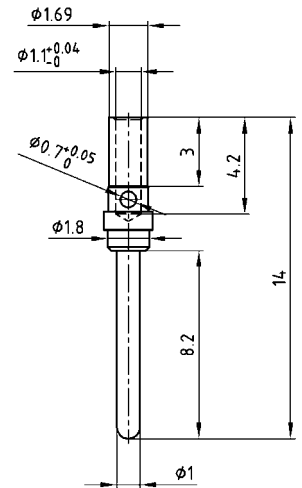


AWG	A +0.04
20-24	Ø 1.16
26-28	Ø 0.65

Signal socket crimp contact
(Standard version)



Signal plug crimp contact
(Standard version)



Designs

Contact material Socket	Copper alloy
Closed entry version	Stainless steel sleeve
Contact material plug	Brass
Quality class 1	500 mating cycles
Quality class 3	50 mating cycles

ORDER DATA

SOCKET CONTACT			
Contact type	AWG	Quality class	Part Number
Socket* / Closed entry	20...24	1	132 C 15019 X
Socket* / Closed entry	26...28	1	132 C 15029 X
Socket / Standard	20...24	3	162 A 18709 X
Socket / Standard	26...28	3	162 A 18179 X

*Preferred type

PLUG CONTACT			
Contact type	AWG	Quality class	Part Number
Plug / Standard	20...24	1	131 C 15019 X
Plug / Standard	26...28	1	131 C 15029 X
Plug / Standard	20...24	3	131 A 15019 X
Plug / Standard	26...28	3	131 A 15029 X