

# Accessories for Strain Relief Fittings

## O-Rings & Seal Rings - PG/NPT/Metric Threads



### Seal Rings

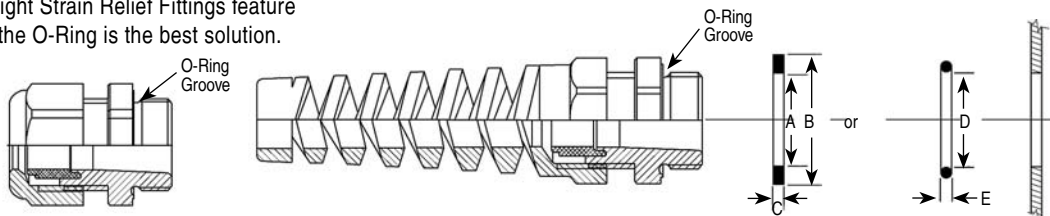
Part Numbers		Thread Type & Size	Dimensions in Inches (mm)			
Polyethylene	Fiber-reinforced Plastic		A	B	C	
		See page 49 for thread specs	Inner Diameter	Outer Diameter	Height	
SR-07-NY	SR-07-HD		PG 7	.49 (12.5)	.65 (16.5)	.06 (1.5)
SR-09-NY	SR-09-HD		PG 9	.60 (15.2)	.75 (19)	.06 (1.5)
SR-11-NY	SR-11-HD		PG 11	.73 (18.6)	.89 (22.5)	.06 (1.5)
SR-13-NY	SR-13-HD		PG 13 / 13.5	.80 (20.4)	.98 (25)	.06 (1.5)
SR-16-NY	SR-16-HD		PG 16	.89 (22.5)	1.06 (27)	.06 (1.5)
SR-21-NY	SR-21-HD		PG 21	1.11 (28.3)	1.32 (33.5)	.06 (1.5)
SR-29-NY	SR-29-HD		PG 29	1.46 (37)	1.71 (43.5)	.08 (2)
SR-36-NY	SR-36-HD		PG 36	1.85 (47)	2.17 (55)	.08 (2)
SR-42-NY	SR-42-HD		PG 42	2.13 (54)	2.48 (63)	.08 (2)
SR-48-NY	SR-48-HD		PG 48	2.33 (59.3)	2.72 (69)	.08 (2)
SR-38-NY	-		3/8" NPT	.67 (17)	.87 (22)	.06 (1.5)
SR-18-NY	-		1/2" NPT	.83 (21)	1.0 (25)	.06 (1.5)
SR-34-NY	-	3/4" NPT	1.06 (27)	1.43 (36)	.04 (1)	
SR-10-02	-	1" NPT	1.32 (33.5)	1.71 (43)	.09 (2.2)	
SR-14-NY	-	1-1/4" NPT	.63 (41.5)	1.95 (49)	.06 (1.5)	
SM-12-NY	SM-12-HD	M12 x 1.5	.47 (12)	.63 (16)	.08 (2)	
SM-16-NY	SM-16-HD	M16 x 1.5	.63 (16)	.79 (20)	.08 (2)	
SM-20-NY	SM-20-HD	M20 x 1.5	.79 (20)	.94 (24)	.08 (2)	
SM-25-NY	SM-25-HD	M25 x 1.5	.98 (25)	1.22 (31)	.08 (2)	
SM-32-NY	SM-32-HD	M32 x 1.5	1.26 (32)	1.50 (38)	.08 (2)	
SM-40-NY	SM-40-HD	M40 x 1.5	1.57 (40)	1.96 (48)	.08 (2)	
SM-50-NY	SM-50-HD	M50 x 1.5	1.97 (50)	2.28 (58)	.08 (2)	
SM-63-NY	SM-63-HD	M63 x 1.5	2.48 (63)	2.83 (72)	.08 (2)	

### O-Rings

Part Numbers			Thread Type & Size	Dimensions in Inches (mm)		
Buna-N	Viton®	Silicone		D	E	
			See page 49 for thread specs	Inner Diameter	Height	
OR-07-BN	OR-07-VT	OR-07-SI		PG 7	.39 (10)	.06 (1.5)
OR-09-BN	OR-09-VT	OR-09-SI		PG 9	.47 (12)	.06 (1.5)
OR-11-BN	OR-11-VT	OR-11-SI		PG 11	.63 (16)	.06 (1.5)
OR-13-BN	OR-13-VT	OR-13-SI		PG 13 / 13.5	.67 (17)	.07 (1.8)
OR-16-BN	OR-16-VT	OR-16-SI		PG 16	.71 (18)	.06 (1.5)
OR-21-BN	OR-21-VT	OR-21-SI		PG 21	1.02 (26)	.08 (2)
OR-29-BN	OR-29-VT	OR-29-SI		PG 29	1.30 (33)	.08 (2)
OR-36-BN	OR-36-VT	OR-36-SI		PG 36	1.73 (44)	.08 (2)
OR-42-BN	OR-42-VT	OR-42-SI		PG 42	1.97 (50)	.08 (2)
OR-48-BN	OR-48-VT	OR-48-SI		PG 48	2.16 (55)	.08 (2)
OR-38-BN	OR-38-VT	OR-38-SI		3/8" NPT	.51 (13)	.08 (2)
OR-18-BN	OR-18-VT	OR-18-SI		1/2" NPT	.75 (19)	.07 (1.8)
OR-34-BN	OR-34-VT	OR-34-SI	3/4" NPT	.87 (22)	.08 (2)	
OR-10-BN	OR-10-VT	OR-10-SI	1" NPT	1.14 (29)	.08 (2)	
OR-54-BN	OR-54-VT	OR-54-SI	1-1/4" NPT	1.50 (38)	.10 (2.5)	
OR-64-BN	OR-64-VT	OR-64-SI	1-1/2" NPT	1.77 (45)	.10 (2.5)	
OM-12-BN	OM-12-VT	OM-12-SI	M12 x 1.5	.39 (10)	.06 (1.6)	
OM-16-BN	OM-16-VT	OM-16-SI	M16 x 1.5	.47 (12)	.06 (1.6)	
OM-20-BN	OM-20-VT	OM-20-SI	M20 x 1.5	.67 (17)	.07 (1.8)	
OM-25-BN	OM-25-VT	OM-25-SI	M25 x 1.5	.87 (22)	.08 (2)	
OM-32-BN	OM-32-VT	OM-32-SI	M32 x 1.5	1.14 (29)	.08 (2)	
OM-40-BN	OM-40-VT	OM-40-SI	M40 x 1.5	1.38 (35)	.08 (2)	
OM-50-BN	OM-50-VT	OM-50-SI	M50 x 1.5	1.69 (43)	.08 (2)	
OM-63-BN	OM-63-VT	OM-63-SI	M63 x 1.5	2.17 (55)	.08 (2)	

Viton® is a federally registered trademark of DuPont Dow Elastomer.

If NEMA 4x or 6 (IP 68 or IP 69K - Submersible) is required, O-Rings or Seal Rings should be used when mounting Strain Relief Fittings to a control panel, secured with a Locking Nut. The straight Strain Relief Fittings feature a molded O-Ring groove. For these fittings the O-Ring is the best solution. The Snap Elbows and some of the Conduit Fittings don't have a recess for an O-Ring. In that case, the Seal Ring would be the better choice, unless the hole can be beveled to accommodate an O-Ring.

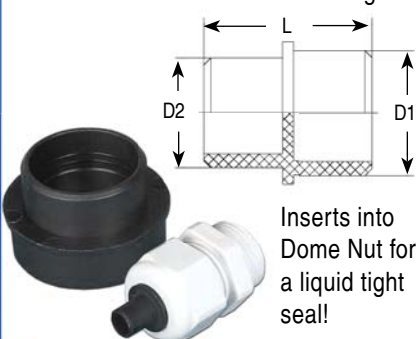


### Accessories for Strain Relief Fittings

## Blind Plugs - Nylon - fit PG/NPT/Metric Threads



These non-threaded Plugs are made of Black Nylon (RAL 9005) and fit PG, NPT and Metric Strain Relief Fittings.



Part Numbers	Fits PG Thread	Fits NPT Thread	Fits Metric Thread	Dimensions in Inches (mm)		
				D1	D2	L
	See page 49 for thread specs	See page 49 for thread specs		Diameter (1)	Diameter (2)	Length
PL-07-BK	PG 7	-	M12 x 1.5	.24 (6)	.18 (4.5)	.59 (15)
PL-09-BK	PG 9	3/8" NPT	M16 x 1.5	.26 (7.5)	.22 (5.5)	.67 (17)
PL-11-BK	PG 11	-	M16 x 1.5	.37 (9.5)	.26 (6.5)	.75 (19)
PL-13-BK	PG 13 / 13.5	1/2" NPT	M20 x 1.5	.45 (11.5)	.33 (8.5)	.75 (19)
PL-16-BK	PG 16	1/2" NPT	M20 x 1.5	.53 (13.5)	.45 (11.5)	.77 (19.5)
PL-21-BK	PG 21	3/4" NPT	M25 x 1.5	.69 (17.5)	.61 (15.5)	.93 (23.5)
PL-29-BK	PG 29	1" & 1-1/4" NPT	M32 x 1.5	.94 (24)	.75 (19)	1.02 (26)
PL-36-BK	PG 36	1-1/2" NPT	M40 x 1.5	1.22 (31)	.98 (25)	1.10 (28)
PL-42-BK	PG 42	-	M50 x 1.5	1.46 (37)	1.18 (30)	1.10 (28)
PL-48-BK	PG 48	-	M63 x 1.5	1.69 (43)	1.34 (34)	1.10 (28)

For Material Specifications please refer to page 45.

Nylon Strain Relief, Nickel Plated Brass, PVDF / Steel, Accessories, Adapter, Reducer, Enlarger, Conduit System, Other Products / Index, Technical Information