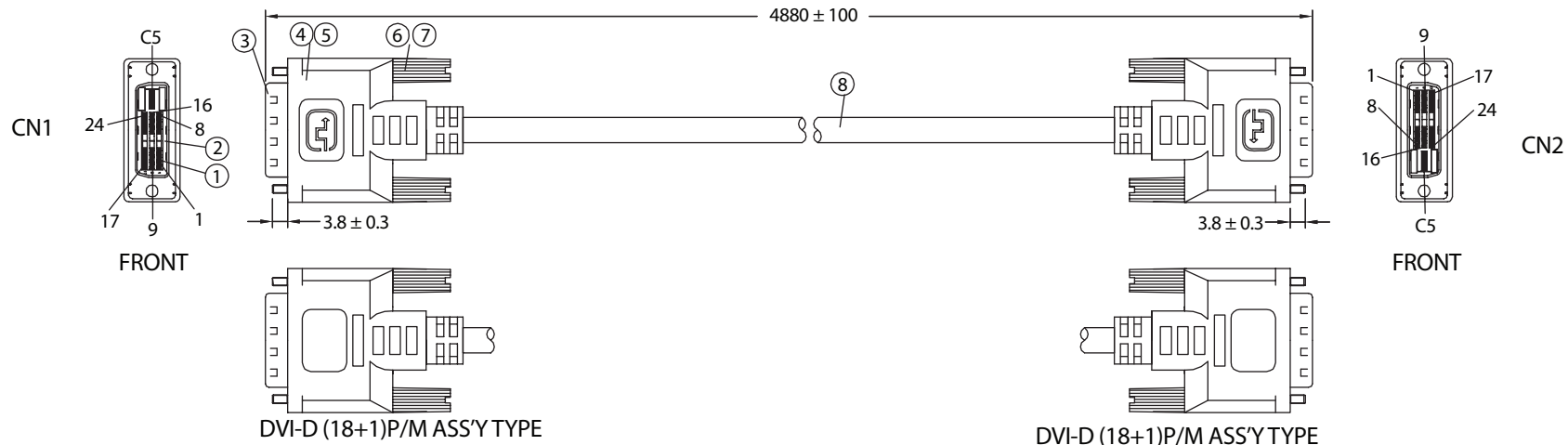


REVISION			
REV.	DESCRIPTION	DATE	APPROVED

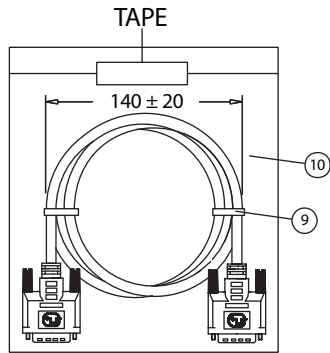


DVI-D (18+1)P/M ASS'Y TYPE

DVI-D (18+1)P/M ASS'Y TYPE

PIN OUT

CN1	CN2	CN1	CN2
1 WHITE	1	15 BLACK	15
2 ORANGE	2	16 BROWN	16
3 DRAIN	3	17 WHITE	17
6 WHITE	6	18 YELLOW	18
7 YELLOW	7	19 DRAIN	19
9 WHITE	9	23 WHITE	23
10 BLACK	10	24 RED	24
11 DRAIN	11	22 DRAIN	22
14 RED	14	SHELL BRAID	SHELL



NOTES:

- CABLE: UL20276 28AWG
(28AWGx1P+DW+AL)x4P+28AWGx3C+28AWGx1P+MYLAR+FOIL+BD
OUTER JACKET PVC, OD: 7.0 ± 0.2 COLOR: BEIGE
PRINTING: "E166307 AWM 20276 28AWG 80°C 30V VW-1
LOW VOLTAGE COMPUTER CABLE"
- CONNECTORS: DVI(18+1)P/M-DVI(18+1)P/M
- HOOD: ASS'Y TYPE, COLOR: BEIGE
- CABLE ELECTRICAL TEST:
<1>.100% OPEN SHORT & MISS WIRE TEST
<2>.INSULATION RESISTANCE: DC400V 10M ohm MIN.
<3>.CONDUCTOR RESISTANCE: 3 ohm MAX.
- PACKING: 1PC/POLYBAG

No.	PARTS NAME	SPECIFICATION STANDARD	QTY	REMARKS
①	DVI (18+1)P/M-CONTACT	BRASS/GOLD PLATED SOLDER TYPE	38	
②	DVI (18+1)P/M-INSULATOR	THERMOPLASTIC/BLACK UL 94V-0	2	
③	DVI (18+1)P/M-SHELL	STEEL NICKEL PLATED	2	
④	CAN	STEEL TIN PLATEDEIGELACK	2	
⑤	DVI (18+1)P/M-COVER	#4-40 2.8x45, NICKEL PLATED	2	
⑥	THUMB SCREW	35P PVC/COLOR: BEIGE	4	
⑦	SCREW-MOLD	KL03006ABK01A	4	
⑧	CABLE DVI 18+1 UL20276	PE/BLACK	1	
⑨	MINI TIE	PE/0.08x200x250	2	
⑩	POLYBAG		1	

Dim range (mm)	Tolerance +/- (mm)	Qualtek Electronics Corp. WCT DIVISION		
		Part Number: 1321034-16		
0-1	0.15	Description: DVI (18+1)P/M - DVI (18+1)P/M		
1-6	0.20			
6-18	0.30			
18-50	0.50			
50-120	0.70	Drawn / Date	Checked / Date	Approved / Date
120-250	0.90	B. Grubb 01-24-07	01-24-07	JJH / 01-24-07
250-500	1.20			