

Data sheet

E-DAT modul Coupler 8(8) 90° Cat.6

Page 1/5

P/N
1309A1-I

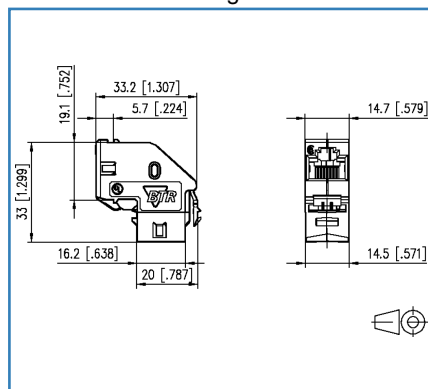
EAN 4250184106623

2015-06-07

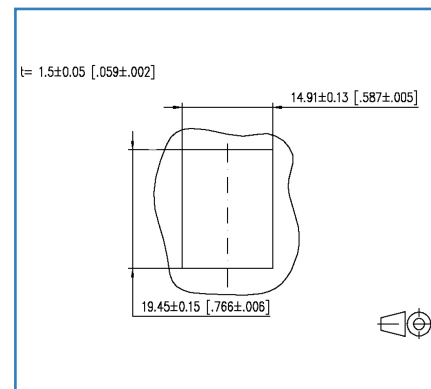
Illustrations



Dimensional drawing



Cut-out



See enlarged drawings at the end of document

Product specification

- RJ45 cable coupler Cat.6 class E
- compliance with class E to ISO/IEC 11801 Ed.2.2:2011-06, DIN EN 50173-1:2011-09
- suitable for Power over Ethernet (PoE, PoE plus and UPoE)
- for 10 GBit Ethernet (IEEE 802.3an)
- fully shielded 90° coupler made of refined zinc die-casting
- especially suitable for consolidation points and cross-connect cabling
- 2 mounting versions in a coupler; fits in module or keystone applications

Suitable applications

for module design

- module wall outlets

- module face plates

- Modul REG IP20

- Industry built in flange EBM

for keystone design

- keystone wall outlets

- keystone face plates

- Keystone REG IP20

- Industry built in flange EBK



Data sheet
E-DAT modul Coupler 8(8) 90° Cat.6

Technical Data

General Data

Fields of application	Consolidation points Cross-connect Cabling
Design	Adapter
Shielding	shielded
Transmission technology	Copper
Color	metallike
Dimensions	
Dimension (L x W x H)	33.20 x 14.70 x 33.00 mm
Dimension (L x W x H)	1.31 x 0.58 x 1.30 in.
Modularity	yes
Labeling option	on housing

Transmission characteristics

Category (ISO)	6
Class (ISO/IEC)	E
Category (TIA)	6
PoE	IEEE 802.3af
PoE plus	IEEE 802.3at
UPoE	yes
Transmission rate up to 10 GBit	IEEE 802.3an

Connections/interfaces

Connector technology interface 1	RJ45-jack
Connector technology interface 2	RJ45-jack
Number of ports interface 1	1
Number of ports interface 2	1
Number of equipped ports interface 1	1
Number of ports interface 2 equipped	1
Number of positions/contacts interface 1	8P/8C
Number of positions/contacts interface 2	8P/8C



Technical Data

Electrical characteristics

Current carrying capacity	max. 1 A
Rated voltage	max. 50 V
Contact resistance	max. 20 mOhm
Through resistance	max. 200 mOhm
Insulation resistance	min. 500 MOhm
Dielectric strength conductor-conductor (secondary)	min. 1000 V DC

Mechanical characteristics

Cut-out	Modul+Keystone
Mounting method	snap-in function
Insertion and withdrawal force	max. 20 N
Position/mounting of latch - standard installation position	top

Materials and material properties

Material - Housing	GD-Zn (zinc die-cast)
Material - Contact	CuSn (tin bronze)
Material - Contact finish	Ni + Au (nickel-gold)

Environmental conditions

Rapid change of temperature	-40°C / -40°F - +70°C / 158°F / 25 cycles t=30 min
Electromagnetic measurement	E ₂

Certifications

Gost Certification	yes
--------------------	-----

Approvals

CE	compliant
RoHS	compliant
UL listed (file no.)	E178484

Technical Data

The product meets the following standards

Generic cabling systems

General requirements	ISO/IEC 11801 Ed.2.2: 2011-06 DIN EN 50173-1: 2011-09 TIA/EIA 568-B.2-10
Office buildings	ISO/IEC 11801 Ed.2.2: 2011-06 DIN EN 50173-2: 2011-09 TIA/EIA 568-C
Living units	ISO/IEC 15018 DIN EN 50173-4: 2011-09 TIA/EIA 570-B
Connectors for electronic equipment	
Free and fixed connectors	DIN EN 60603-7-5:2011-03
Climate tests	IEC 60512-11

Classifications

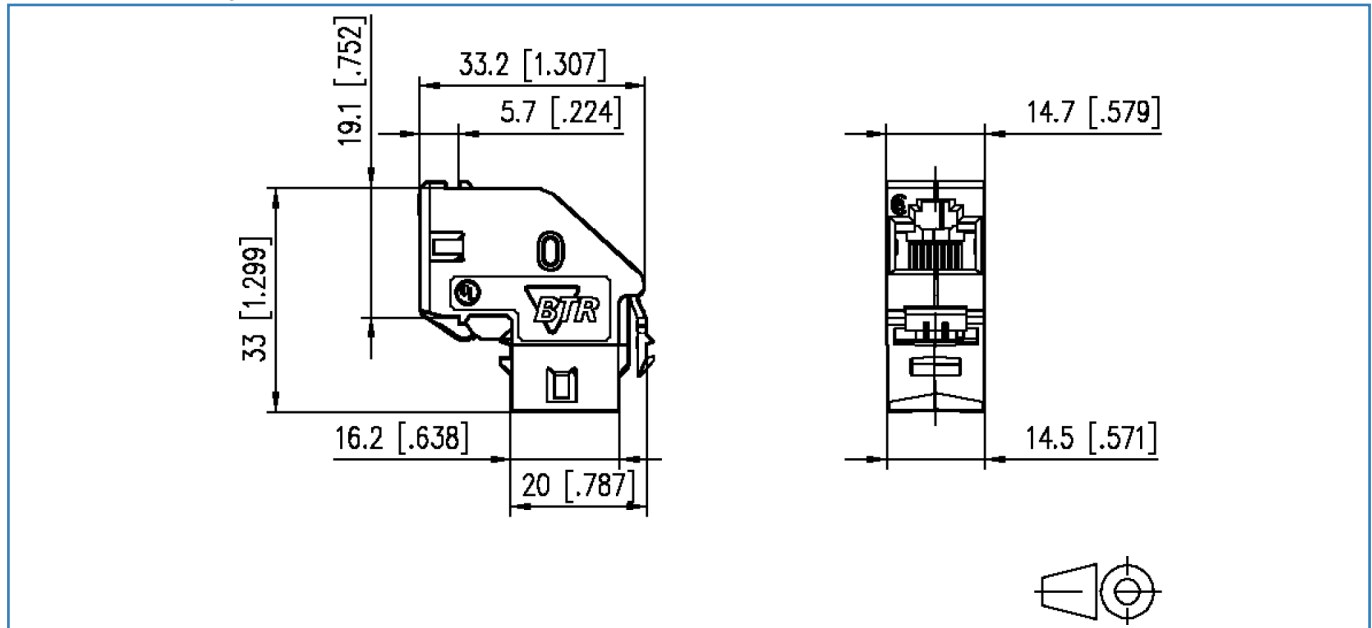
ETIM 5.0	EC001134
----------	----------

Packing details

Type of packaging	10 pc(s) / box
Packaging unit - Weight (gram)	390.00 g
Packaging unit - Weight (pound)	0.86 lb
Packaging dimension (W x H x D)	247.00 x 161.00 x 58.00 mm
Packaging dimension (W x H x D)	9.72 x 6.34 x 2.28 in.

Illustrations

Dimensional drawing



Cut-out

