

Data sheet

E-DAT modul 6x8(8) 1RU patch panel Cat.6_A

Page 1/6

P/N
130922-03-E

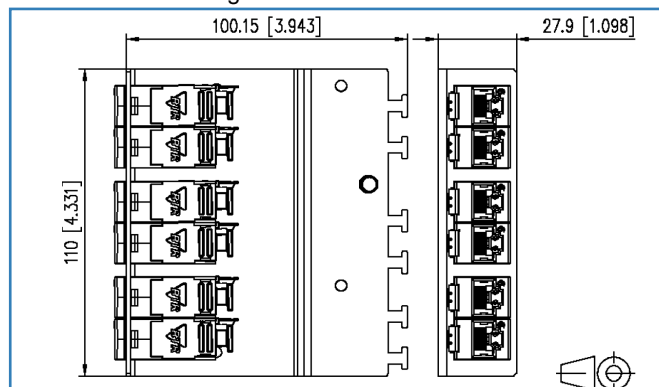
EAN 4250184106197

2017-07-03

Illustrations



Dimensional drawing



See enlarged drawings at the end of document

Product specification

- module frame with 6 "E-DAT modul" modules
- component testing for Cat.6_A to ISO/IEC 11801 Ed.2.2:2011-06, DIN EN 50173-1:2011-09, TIA/EIA-568-C.2 (2009-08) and IEC 60603-7-51 Ed.1 (12/2008), certified to GHMT
- compliance with class EA to ISO/IEC 11801
- Ed.2.2:2011-09, DIN EN 50173-1:2011-09
- tested: Link up to 500 MHz
- suitable for 10 GBit Ethernet (IEEE 802.3an), Remote Powering (PoE, PoE plus and UPoE) and HDBaseT
- easy to install connection of 2 to 4 pair data lines
- AWG 26/1 - 22/1 and stranded wires with 7 copper conductors AWG 26/7 - 22/7 to BTR 8-fold insulation displacement connectors (IDC)
- marking of conductor assignment to T568A or T568B
- 1RU module frame for mounting in surface-mounted housing, top hat rail adapter or 1RU module frame
- optional strain relief using cable ties
- grounding bolt M6 x 10 with nut and lock washer



Technical Data

General Data

Fields of application

Office

Design

patch panel

Mounting style

1RU

Shielding

shielded

Transmission technology

Copper

Wiring

T568A

Color

stainless steel

Dimensions

Dimension (L x W x H)

110.15 x 110.00 x 27.90 mm

Dimension (L x W x H)

4.337 x 4.331 x 1.098 in.

Height unit

1RU

Modularity

yes

Transmission characteristics

Category (ISO)

6_A

Class (ISO/IEC)

E_A

Category (TIA)

6A

Remote Powering

yes

PoE

IEEE 802.3af

PoE plus

IEEE 802.3at

UPoE

yes

HDBaseT

yes

Transmission rate up to 10 GBit

IEEE 802.3an

Connections/interfaces

Connector technology interface 1

IDC-connection

Connector technology interface 2

RJ45-jack

Number of ports interface 2

6

Number of ports interface 2 equipped

6

Number of positions/contacts interface 1

48 x 8

Number of positions/contacts interface 2

6 x 8P/8C



Technical Data

Connections/interfaces

Termination data, solid wire (min. - max.)

Conductor cross section, solid wire	AWG 26/1 - 22/1
Conductor cross section, solid wire	0.128 - 0.324 mm ²
Conductor diameter, solid wire (bare copper)	0.409 - 0.643 mm
Conductor diameter, solid wire (bare copper)	0.016 - 0.025 in.

Termination data, stranded wire (min. - max.)

Conductor cross section, stranded wire	AWG 26/7 - 22/7
Conductor cross section, stranded wire	0.141 - 0.355 mm ²
Conductor diameter, stranded wire (bare copper)	0.483 - 0.762 mm
Conductor diameter, stranded wire (bare copper)	0.019 - 0.030 in.

Cable access/outlet	180°
Ground connection	grounding bolt M6x10 with nut and lock washer

Electrical characteristics

Current carrying capacity	max. 1 A
Rated voltage	max. 50 V
Contact resistance	max. 20 mOhm
Through resistance	max. 200 mOhm
Insulation resistance	min. 500 MOhm
Dielectric strength conductor-conductor (secondary)	max. 1000 V DC

Mechanical characteristics

Insertion and withdrawal force	max. 20 N
Life - Number of mating cycles	min. 750
Position/mounting of latch - standard installation position	top

Materials and material properties

Material - Jack contact	CuSn (tin bronze)
Material - Jack contact finish	Ni + Au (nickel-gold)
Material - Jack shield	GD-Zn (zinc die-cast)
Material - Module support	stainless steel
Material - Finish	Ni (nickel)



Technical Data

Environmental conditions

Temperature (min. - max.)	
Temperature - Storage °C	-40 - 70 °C
Temperature - Storage °F	-40 - 158 °F
Temperature - Operating °C	-40 - 70 °C
Temperature - Operating °F	-40 - 158 °F
Electromagnetic measurement	E ₂

Certifications

GHMT PVP	yes
----------	-----

Approvals

CE	compliant
RoHS	compliant
UL listed (file no.)	DUXR.E178484

The product meets the following standards

Generic cabling systems	
General requirements	ISO/IEC 11801 Ed.2.2: 2011-06 DIN EN 50173-1: 2011-09 TIA/EIA 568-C.2 (2009-08)
Connectors for electronic equipment	
Free and fixed connectors	DIN EN 60603-7-51:2011-01
Connectors for electronic equipment - Tests and measurements	
Test schedule for connectors	DIN-EN 60512-99-001: 02-2013, Pg. UEL1
Endurance tests	IEC 60512-9-3: 03-2009
Interference proof	
Immunity for industrial environments	DIN EN 61000-6-2:2006-03

Classifications

ETIM 5.0	EC001128
ETIM 6.0	EC001128

Technical Data

Packing details

Type of packaging	1 pc(s) / box
Packaging unit - Weight (gram)	459.00 g
Packaging unit - Weight (pound)	1.01 lb
Packaging dimension (W x H x D)	145.00 x 182.00 x 40.00 mm
Packaging dimension (W x H x D)	5.709 x 7.165 x 1.575 in.



Illustrations

Dimensional drawing

