

PLEASE CHECK WWW.MOLEX.COM FOR LATEST PART INFORMATION

Part Number: [130013-0409](#)
Status: **Active**
Overview: Brad® Mini-Change® Connectors
Description: Mini-Change® Receptacle with Leads, 4 Poles, Flange Mount, Male (Straight) to Pigtail, 16 AWG, 0.305m (1.0') Length

Documents:

[Drawing \(PDF\)](#) [RoHS Certificate of Compliance \(PDF\)](#)

Agency Certification

CSA LR6837
 UL E152210

General

Product Family Industrial Cordsets
 Series [130013](#)
 Connector End A Mini-Change®
 Connector End B Pigtail
 IP Rating IP67
 Overview [Brad® Mini-Change® Connectors](#)
 Product Name Mini-Change®
 Protocol N/A
 Region America, Asia, Europe
 Type Single Ended
 UPC 78678843917

Physical

Cable Diameter N/A
 Cable Length 0.305m (1.0')
 Color - Cable Jacket N/A
 Coupling Style Threaded
 Gender Male-Pigtail
 Keyway Single
 LED Indicator No
 Material - Cable Jacket PVC
 Material - Connector Body Zinc Die-Cast with Black Epoxy
 Material - Contact Copper Alloy
 Material - Coupling Nut Anodized Aluminum
 Material - Plating Mating Gold
 Orientation Straight
 Poles 4
 Temperature Range - Operating -20°C to +105°C
 Wire Size AWG 16
 Wire/Cable Type UL 1015

Electrical

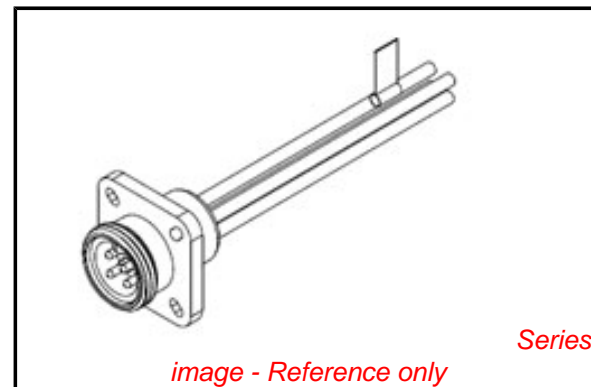
Current - Maximum per Contact 10A
 Voltage - Maximum 600V

Material Info

Old Part Number 1R4G06A20A120

Reference - Drawing Numbers

Sales Drawing SD-130013-010



EU RoHS

**ELV and RoHS
 Compliant**
**REACH SVHC
 Not Reviewed**
**Low-Halogen Status
 Not Reviewed**

China RoHS



**Need more information on product
 environmental compliance?**

Email productcompliance@molex.com
 For a multiple part number RoHS Certificate of
 Compliance, [click here](#)

Please visit the [Contact Us](#) section for any
 non-product compliance questions.

Search Parts in this Series

130013Series

This document was generated on 02/04/2015

PLEASE CHECK WWW.MOLEX.COM FOR LATEST PART INFORMATION