

MICRO SWITCH

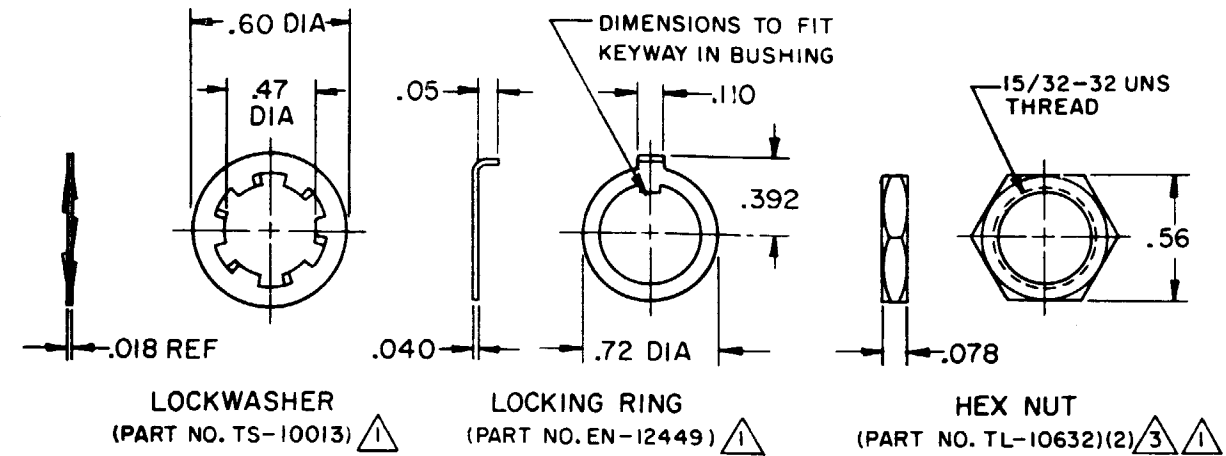
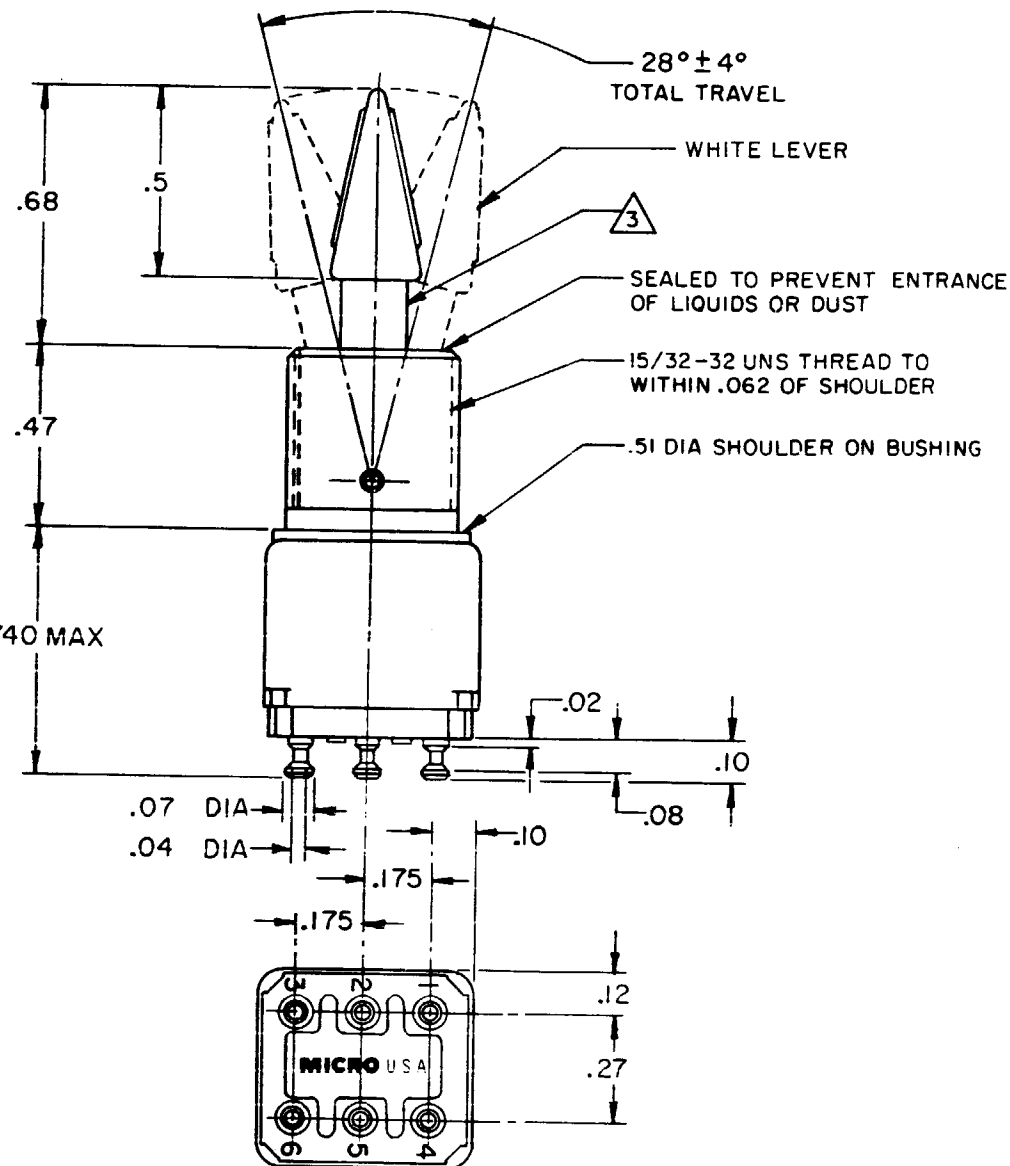
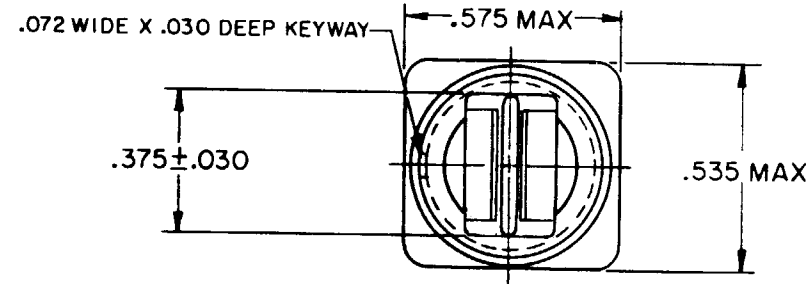
FREEMONT, ILLINOIS U.S.A.
A DIVISION OF HONEYWELL

FED. MFG. CODE 91929

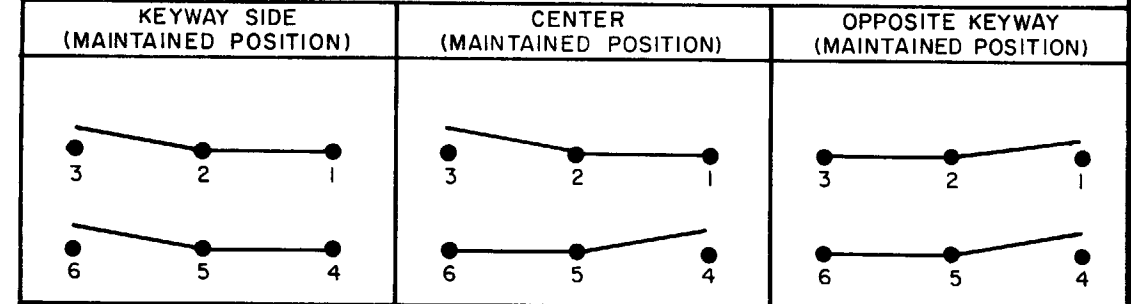
SWITCH - TOGGLE

CATALOG LISTING
12TW418-10

THIS DRAWING COVERS A PROPRIETARY ITEM AND IS THE PROPERTY OF MICRO SWITCH, A DIVISION OF HONEYWELL. THIS DRAWING IS NOT TO BE COPIED OR USED WITHOUT THE APPROVAL OF MICRO SWITCH.



CIRCUIT DIAGRAM



M 12TW418-10
 DRAWING NUMBER
 ISSUE X 8
 CHECK
 REVISIONS
 A PR-4765
 R E R
 1 FEB 75
 B C050565
 2 CJH
 DEC 81
 C C055917
 6 CJH
 OCT 84
 D C056281
 TSK
 APR 85
 E C061252
 JAP
 MAR 87
 C062351
 TSK
 OCT 87
 C062939
 TSK
 FEB 88
 CHECK
 7
 R E R
 7 SEP 73
 CHECK
 15
 FO-52851
 DRAWN
 REPLACES
 PR-4765

CHARACTERISTICS	ELECTRICAL DATA	SCALE 2 TO 1
	CONTACT ARRANGEMENT	DO NOT SCALE PRINT
	-L117- 5A-125 VAC	UNLESS OTHERWISE NOTED
		DIMENSIONS ARE IN INCHES
		TOLERANCES ARE:
		ONE PLACE ± .01
		TWO PLACE ± .001 ± .030
		THREE PLACE ± .000 ± .015
		ANGLES ± .005
		WEIGHT .025 LB MAX

NOTE -

- △ FURNISHED UNASSEMBLED
- 2 - TERMINALS ARE PLATED FOR SOLDERING
- △ MATTE FINISH
- 4 - GOLD PLATED CONTACTS