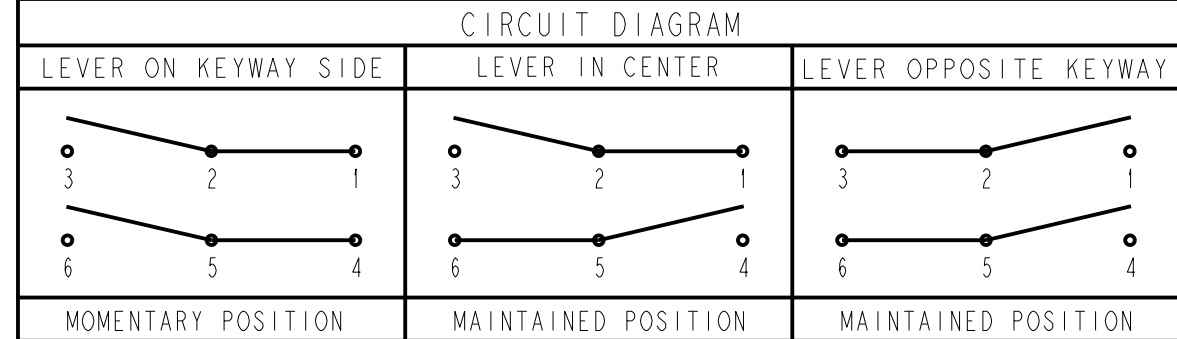
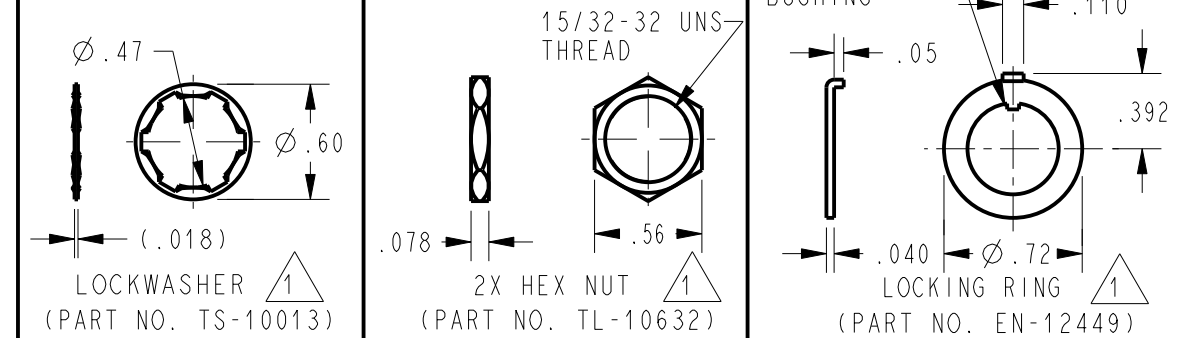
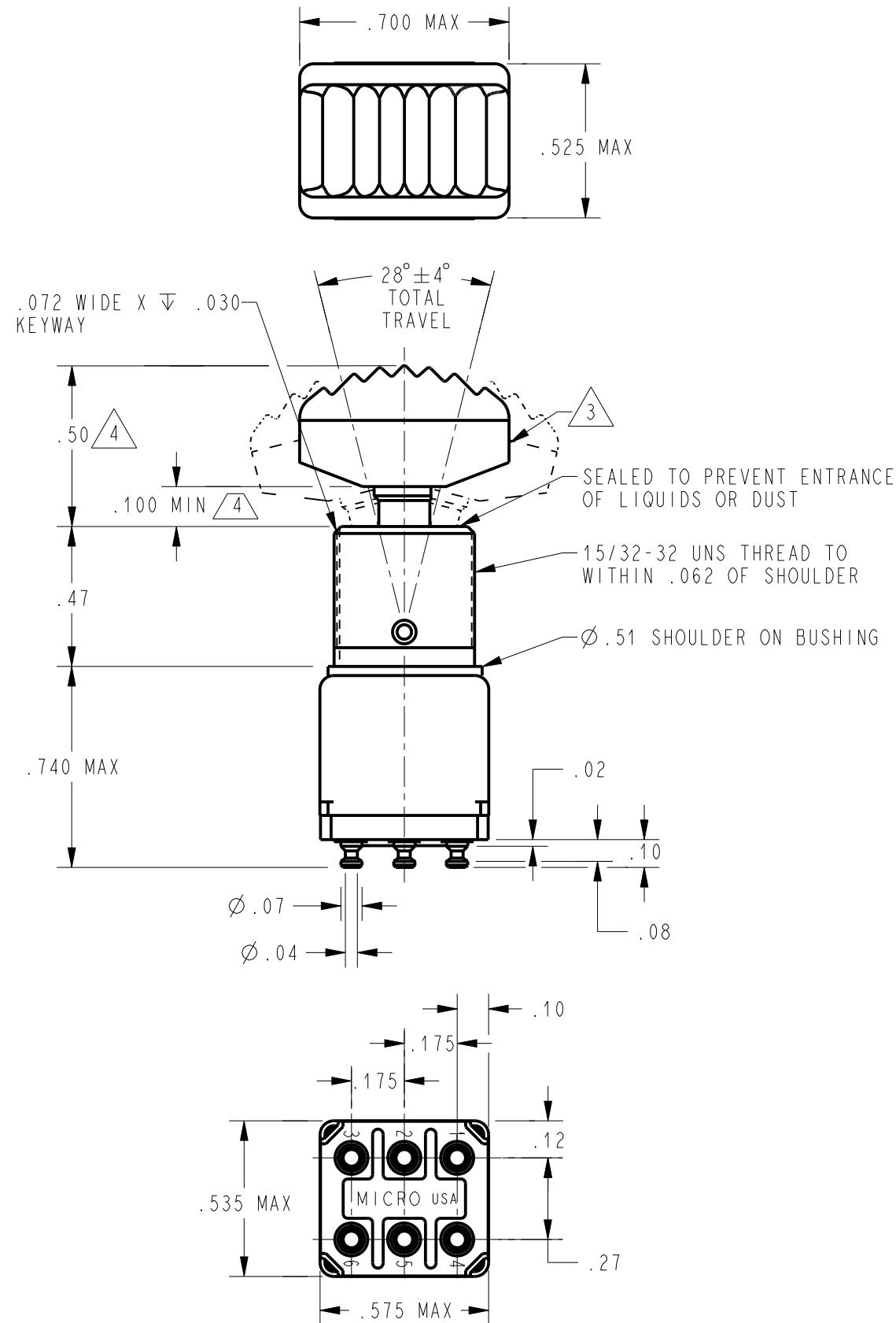


12TW29-50  
 CATALOG LISTING  
 PAGE 1 OF 1  
 RELEASE NO. PR-5159  
 REPLACES -  
 ISSUE 9  
 CHECK  
 REVISIONS  
 A 0001429  
 C S L  
 11 SEP 03  
 CHECK  
 S A V 11 SEP 03  
 CHECK  
 PTC/CAD 2D  
 DRAWN  
 C S L 11 SEP 03  
 CHECK



L117  
5A 125 VAC

- NOTES**
- ① FURNISHED UNASSEMBLED
  - ② - TERMINALS ARE PLATED FOR SOLDERING
  - ③ DULL BLACK FINISHED
  - ④ DIMENSIONS APPLY AFTER MOUNTING.
- TORQUE SET SCREW 8-9 IN-LBS

THIRD ANGLE PROJECTION

SCALE	2 : 1
DO NOT SCALE PRINT	
UNLESS OTHERWISE SPECIFIED TOLERANCES ARE	
ONE PLACE	(.0) ±.030
TWO PLACE	(.00) ±.015
THREE PLACE	(.000) ±.005
ANGLES	±
WEIGHT	.025 LB MAX