

# MICRO SWITCH

FREEPORT ILLINOIS, U.S.A.  
A DIVISION OF HONEYWELL  
FED. MFG. CODE 9-1929

## SWITCH-TOGGLE

CATALOG LISTING  
**12TW1 SERIES**

### CHART 2

THIS DRAWING COVERS A PROPRIETARY ITEM AND IS THE PROPERTY OF MICRO SWITCH, A DIVISION OF HONEYWELL. THIS DRAWING IS NOT TO BE COPIED OR USED WITHOUT THE APPROVAL OF MICRO SWITCH.

MS NUMBER	CATALOG LISTING	AVAILABLE LOCKING COMBINATIONS FOR CONFIGURATION SEE LETTERED DETAILS	CIRCUIT MADE WITH TOGGLE LEVER IN		
			KEYWAY SIDE (1-2, 4-5)	CENTER (1-2, 4-5)	OPPOSITE KEYWAY (2-3, 5-6)
MS27721-21-1	12TW1-1	A,B,D,E,F,G,H,J,K,L,M,N,P	ON	OFF	ON
MS27721-22-1	12TW1-2	D,F,G	OFF	NONE	ON
MS27721-23-1	12TW1-3	D,F,G	ON	NONE	ON
	-21	E,F,K,M	NONE	OFF	ON
	-31	E,F,K,M	NONE	ON	ON
	-4	F	MOM OFF	NONE	ON
MS27721-31-1	12TW1-5	E,F,K,L,M,N	MOM ON	OFF	ON
	-6	F	MOM ON	NONE	OFF
MS27721-27-1	12TW1-7	E,L,N	MOM ON	OFF	MOM ON
MS27721-26-1	12TW1-8	F	MOM ON	NONE	ON
	-51	E	NONE	ON	MOM ON
	-61	E	MOM ON	OFF	NONE

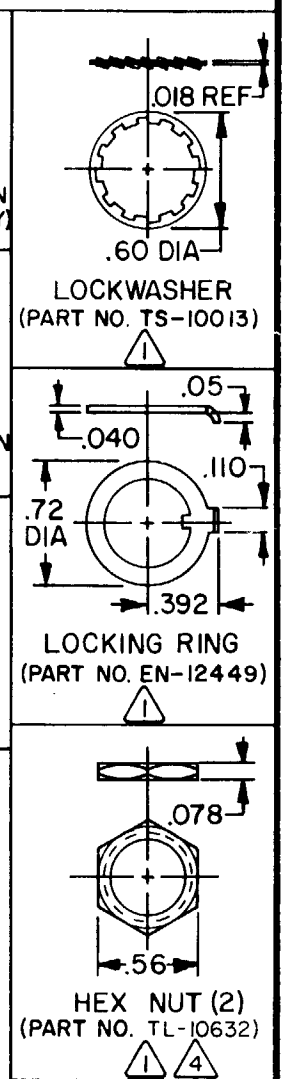
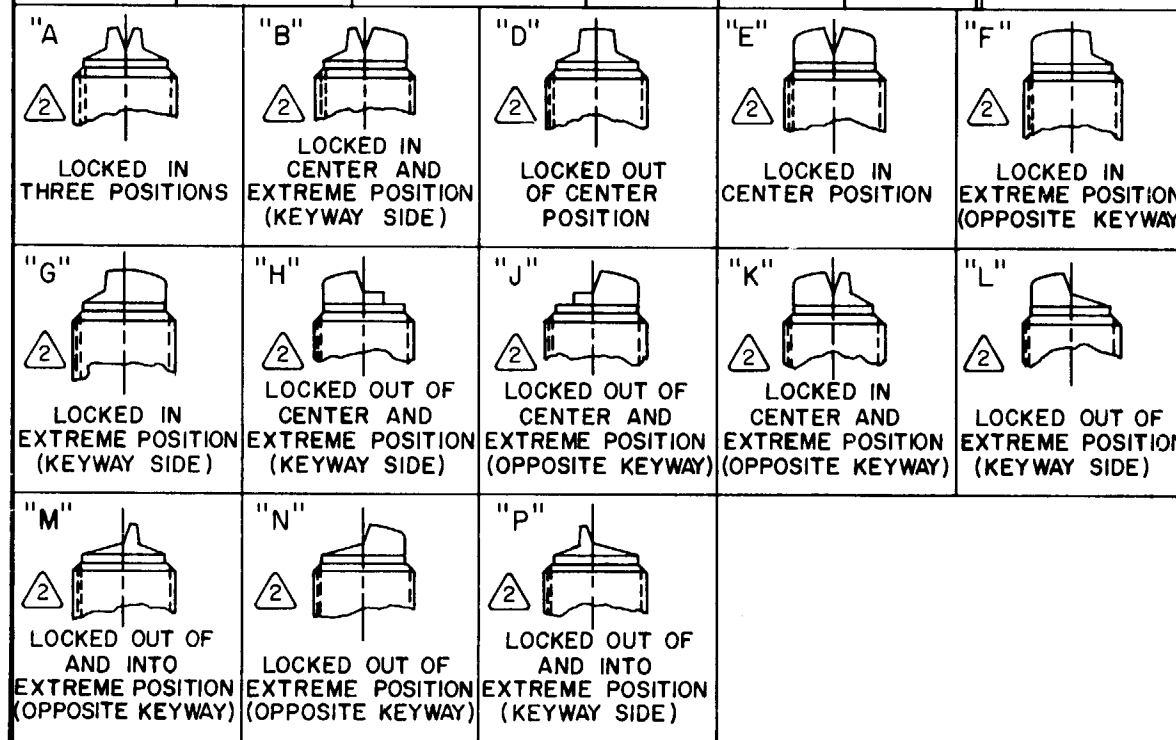
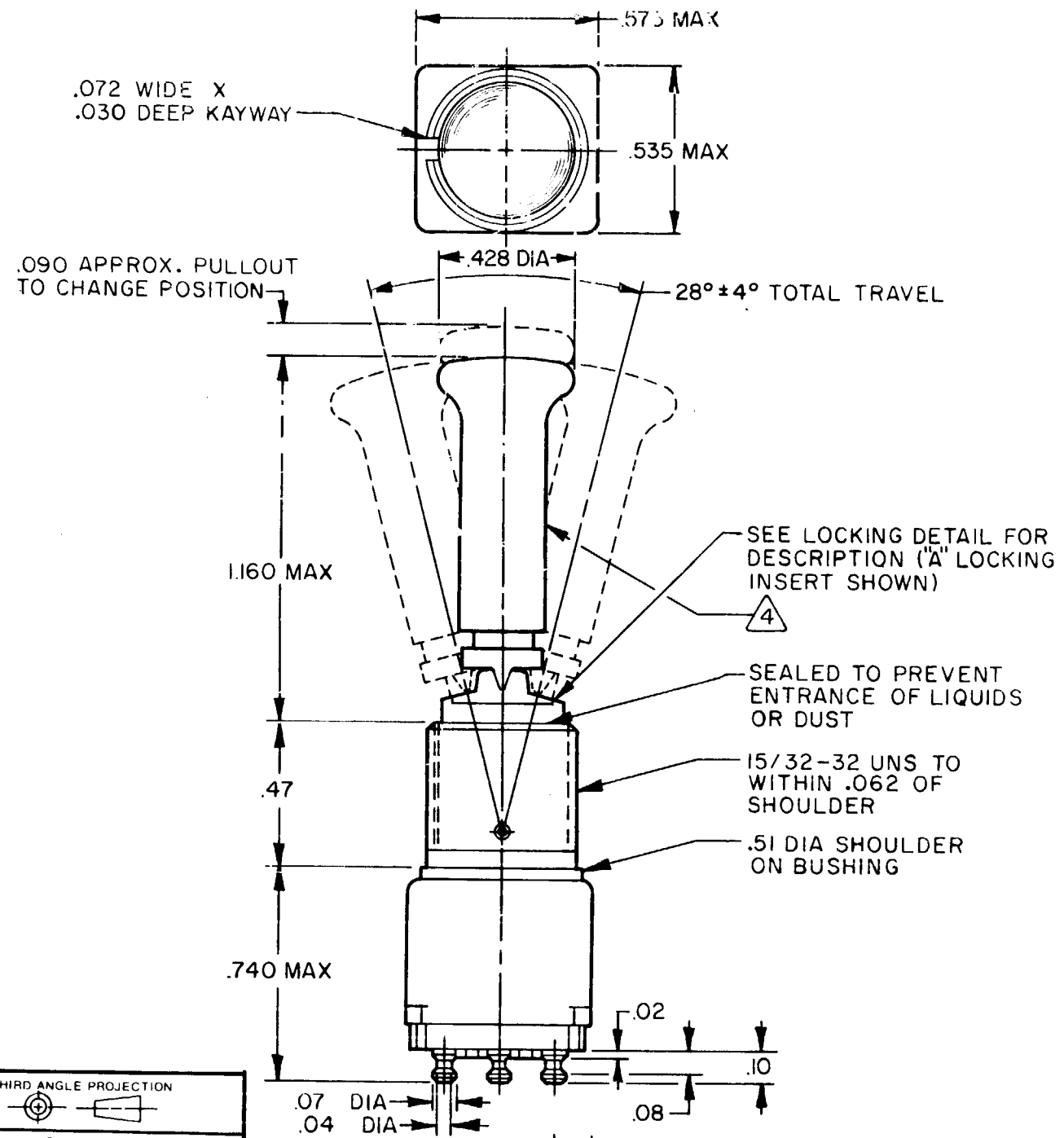
L117  
5A 125 VAC  
RJ Ⓢ

12TW1 SERIES CHART 2

M DRAWING NUMBER 15

REVISIONS  
A CO 61252  
13 MAR 87  
B C062194  
21 AUG 87  
C C062939  
24 FEB 88

DRAWN MAM 7 APR 87 CHECK JLA



NOTES  
 1 FURNISHED UNASSEMBLED  
 2 SUFFIX MUST BE ADDED FOR DESIRED TYPE TOGGLE LOCKING  
 3 - TERMINALS ARE PLATED FOR SOLDERING  
 4 MATTE FINISH

THIRD ANGLE PROJECTION

SCALE 2:1

DO NOT SCALE PRINT

TOLERANCES  
APPLY TO DESIGN UNITS. CONVERSIONS ARE ONLY FOR REFERENCE. UNLESS NOTED, TOLERANCES ARE ±

DIM.	TOL.	DIM.	TOL.
mm	mm/in	in	mm/in
NO PLACES	A	1/04	
ONE PLACE	X,X	0.4/.016	X,X 0.8/.03
TWO PLACES	X,XX	0.167/.008	X,XX 0.38/.015
THREE PLACES	X,XXX		X,XXX 0.137/.005

DESIGN UNITS  SI METRIC  US CUSTOMARY

RAW MATERIAL - COMMERCIAL STANDARD  
MICRO SWITCH STANDARDS APPLY

WEIGHT .045 LB MAX