

**MICRO SWITCH**

FREEPORT, ILLINOIS, U.S.A.  
A DIVISION OF HONEYWELL  
FED. MFG. CODE 91929

**SWITCH - TOGGLE**

CATALOG LISTING  
**12TW13 SERIES**  
**CHART 2**

THIS DRAWING COVERS A PROPRIETARY ITEM AND IS THE PROPERTY OF MICRO SWITCH, A DIVISION OF HONEYWELL. THIS DRAWING IS NOT TO BE COPIED OR USED WITHOUT THE APPROVAL OF MICRO SWITCH.

CATALOG LISTING	AVAILABLE LOCKING COMBINATIONS FOR CONFIGURATION SEE LETTERED DETAILS	CIRCUIT MADE WITH TOGGLE LEVER IN		
		KEYWAY SIDE (1-2, 4-5)	CENTER (1-2, 4-5)	OPPOSITE KEYWAY (2-3, 5-6)
12TW13-1	A,B,D,E,F,G,H,J,K,L,M,N,P	ON	OFF	ON
12TW13-2	D, F, G	OFF	NONE	ON
12TW13-3	D, F, G	ON	NONE	ON
12TW13-21	E, F, K, M	NONE	OFF	ON
12TW13-31	E, F, K, M	NONE	ON	ON
12TW13-4	F	MOM OFF	NONE	ON
12TW13-5	E, F, K, L, M, N	MOM ON	OFF	ON
12TW13-6	F	MOM ON	NONE	OFF
12TW13-7	E, L, N	MOM ON	OFF	MOM ON
12TW13-8	F	MOM ON	NONE	ON
12TW13-41	F	NONE	MOM OFF	ON
12TW13-51	E	NONE	ON	MOM ON
12TW13-61	E	MOM ON	OFF	NONE

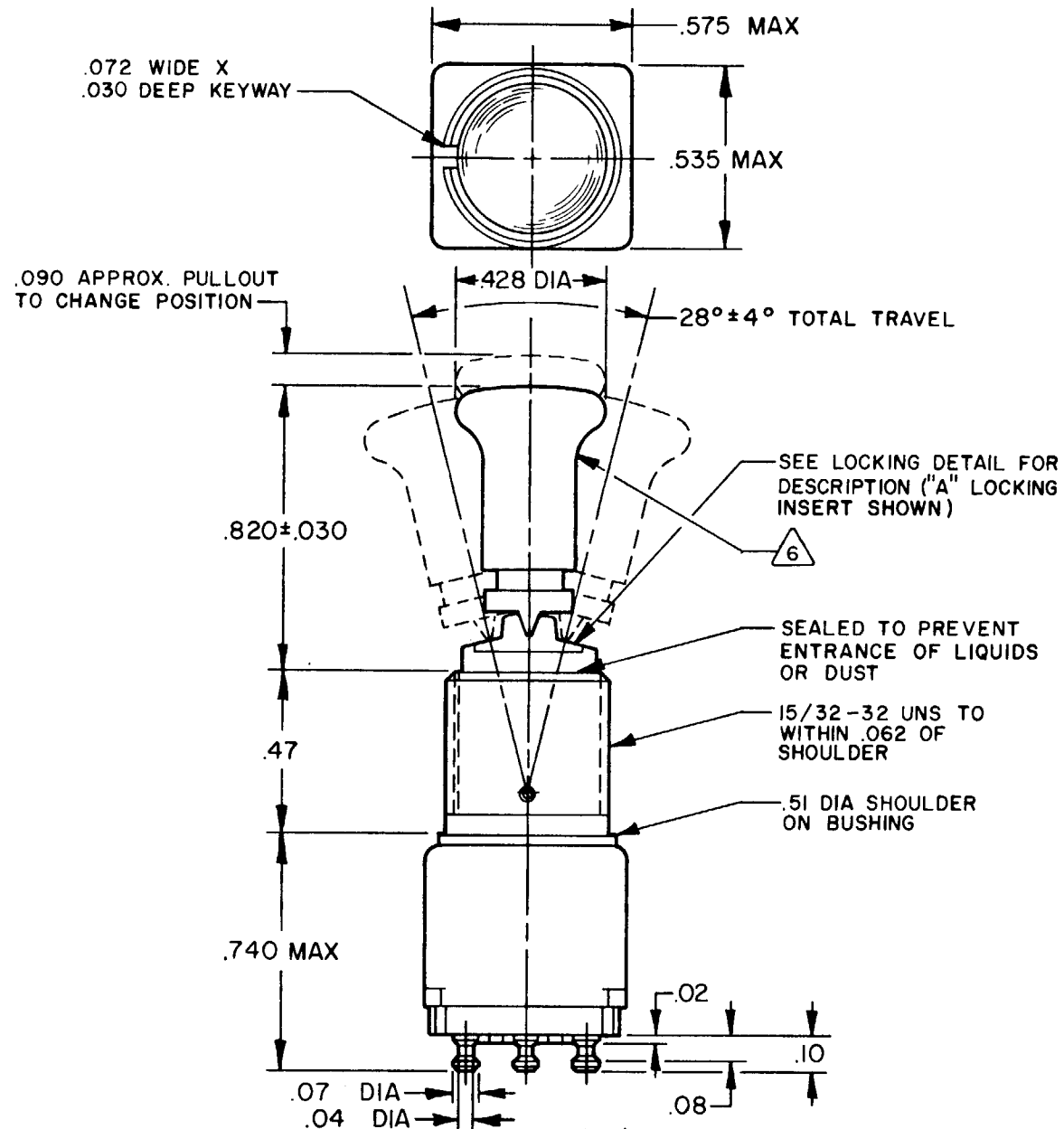
CODE L117 5A-125 VAC  
**UL** **RU**

12TW13 SERIES CHART 2

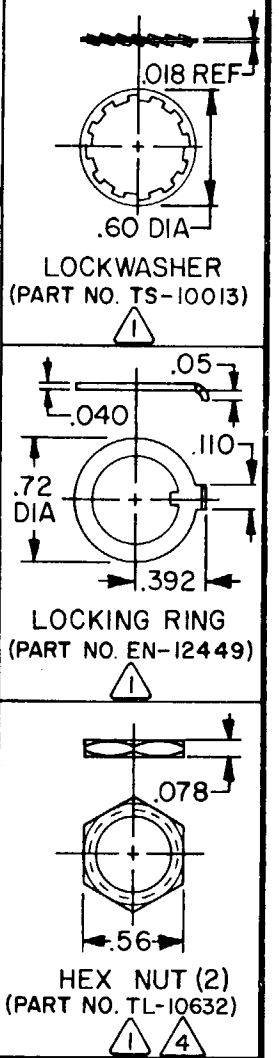
REPLACES RELEASE NO. PR-8558  
**M** DRAWING NUMBER  
ISSUE **X** 5

REVISIONS  
A PR 8558  
KAK 19 MAR 80  
B C050565  
CJH 16 DEC 81  
C C061252  
JAP 13 MAR 87  
D C062939  
TSK 24 FEB 88

CHECK 29 DEC 77  
CHECK 29 DEC 77  
CHECK 29 DEC 77  
DRAWN GLH 29 DEC 77



"A"	"B"	"D"	"E"	"F"
LOCKED IN THREE POSITIONS	LOCKED IN CENTER AND EXTREME POSITION (KEYWAY SIDE)	LOCKED OUT OF CENTER POSITION	LOCKED IN CENTER POSITION	LOCKED IN EXTREME POSITION (OPPOSITE KEYWAY)
"G"	"H"	"J"	"K"	"L"
LOCKED IN EXTREME POSITION (KEYWAY SIDE)	LOCKED OUT OF CENTER AND EXTREME POSITION (KEYWAY SIDE)	LOCKED OUT OF CENTER AND EXTREME POSITION (OPPOSITE KEYWAY)	LOCKED IN CENTER AND EXTREME POSITION (OPPOSITE KEYWAY)	LOCKED OUT OF EXTREME POSITION (KEYWAY SIDE)
"M"	"N"	"P"		
LOCKED OUT OF AND INTO EXTREME POSITION (OPPOSITE KEYWAY)	LOCKED OUT OF EXTREME POSITION (OPPOSITE KEYWAY)	LOCKED OUT OF AND INTO EXTREME POSITION (KEYWAY SIDE)		



**NOTES**

- 1 FURNISHED UNASSEMBLED
- 2 SUFFIX MUST BE ADDED FOR DESIRED TYPE TOGGLE LOCKING
- 3 - TERMINALS ARE PLATED FOR SOLDERING
- 4 APPLIES ONLY TO "ON" AND "MOMENTARY ON" POSITIONS
- 5 KEYWAY SHOWN ON LEFT SIDE
- 6 MATTE FINISH

THIRD ANGLE PROJECTION

SCALE 2:1

DO NOT SCALE PRINT

TOLERANCES

DIM.	TOL.	DIM.	TOL.
mm	mm/in	in	mm/in
NO PLACES	X	1/04	
ONE PLACE	X,X	0.4/018	X,X 0.8/03
TWO PLACES	X,X,X	0.16/006	X,X,X 0.38/018
THREE PLACES	X,X,X		X,X,X 0.13/005

DESIGN UNITS  SI METRIC  US CUSTOMARY

RAW MATERIAL-COMMERCIAL STANDARD  
MICRO SWITCH STANDARDS APPLY  
DIMENSIONS ARE TO BE MET BEFORE  
PROTECTIVE COATINGS ARE APPLIED

WEIGHT .045 LB MAX

