

MICRO SWITCH

FREELPORT ILLINOIS U.S.A.
A DIVISION OF HONEYWELL

FED. MFG. CODE 91929

SWITCH-TOGGLE

CATALOG LISTING
12TW1-261

L117 5A-125 VAC



THIS DRAWING COVERS A PROPRIETARY ITEM AND IS THE PROPERTY OF MICRO SWITCH, A DIVISION OF HONEYWELL. THIS DRAWING IS NOT TO BE COPIED OR USED WITHOUT THE APPROVAL OF MICRO SWITCH.

12TW1-261

M

DRAWING NUMBER

X 2

ISSUE 3

REPLACES

RELEASE NO. PR-15409

CHECK

CHECK

CHECK

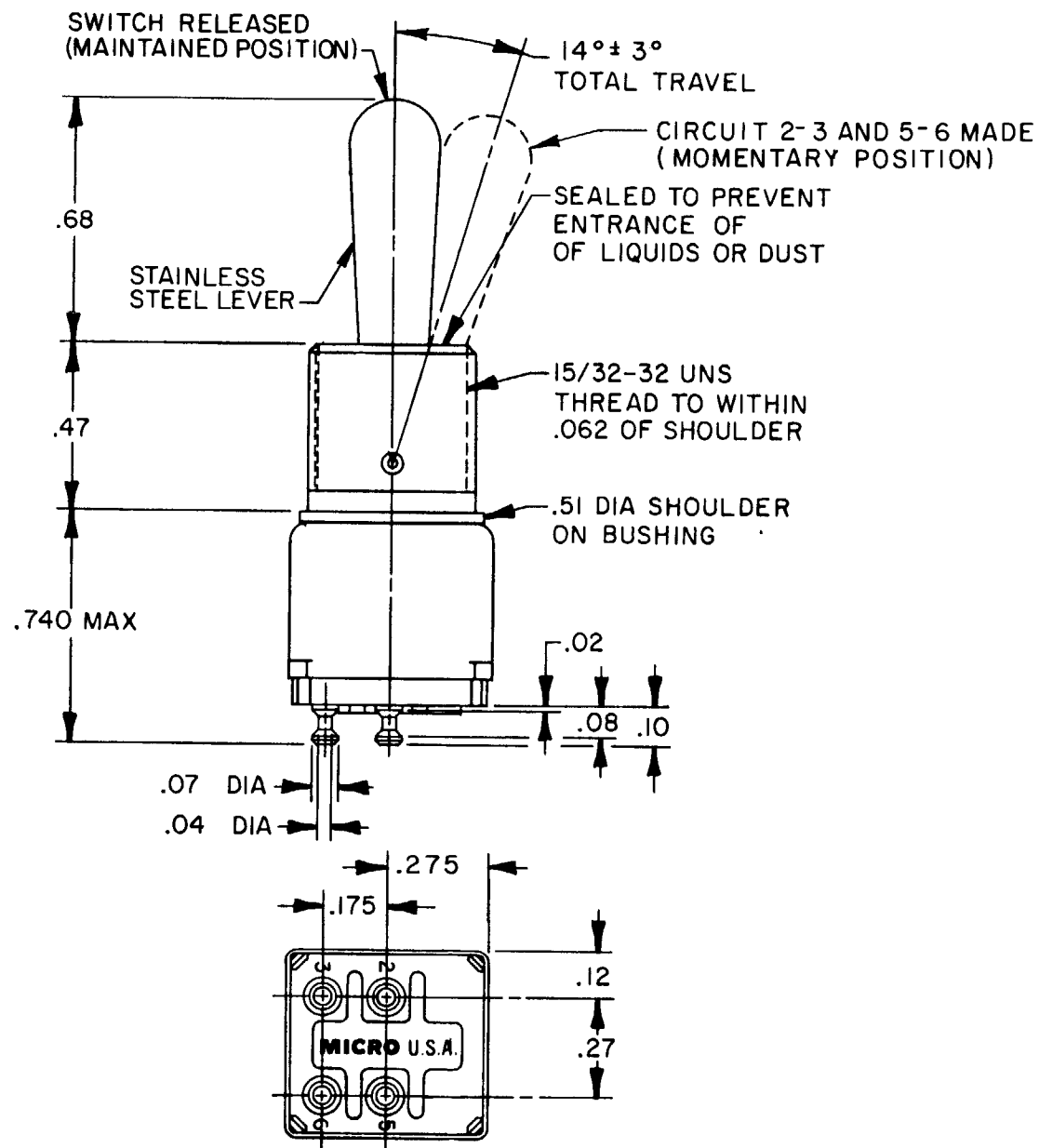
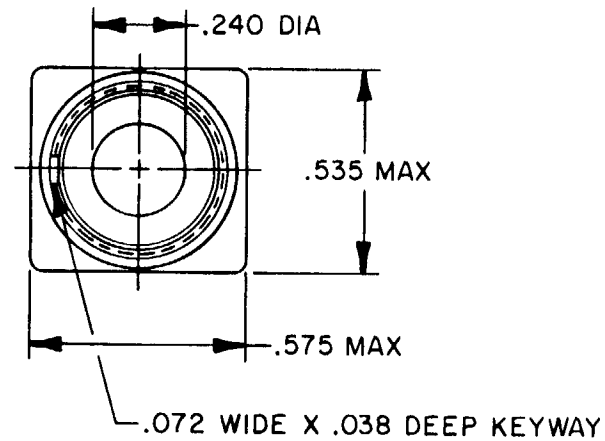
REVISIONS

A	PR	15	4	09
B	CO62939	24	FEB	88

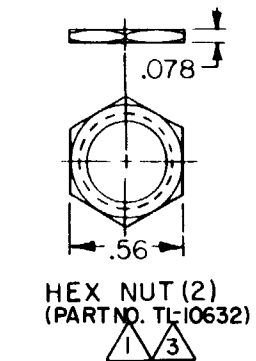
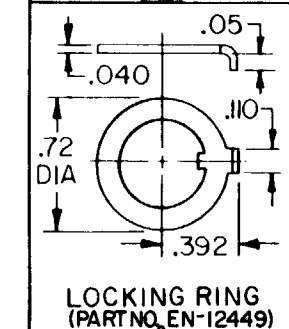
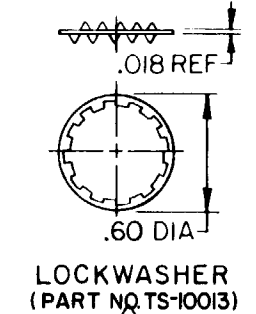
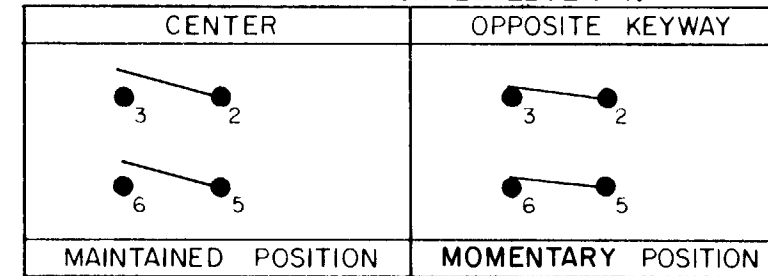
FO-52851-A
DRAWN

K A G 22 DEC 86

SCALE 2:1		
DO NOT SCALE PRINT		
UNLESS OTHERWISE NOTED		
DIMENSIONS ARE IN INCHES		
TOLERANCES ARE:		
ONE PLACE	(.0)	±.030
TWO PLACE	(.00)	±.015
THREE PLACE	(.000)	±.005
ANGLES		±.005
WEIGHT .025 LB MAX		



CIRCUIT MADE WITH TOGGLE LEVER IN



- NOTES
- 1 FURNISHED UNASSEMBLED
 - 2 - TERMINALS ARE PLATED FOR SOLDERING
 - 3 MATTE FINISH