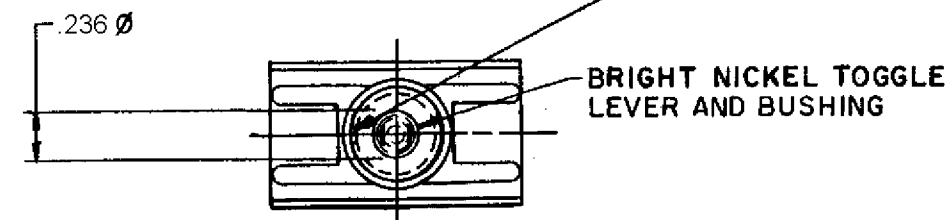


.072 ± .010 WIDE X .038 ± .010 DEEP KEYWAY



30° ± 8° TOTAL TRAVEL

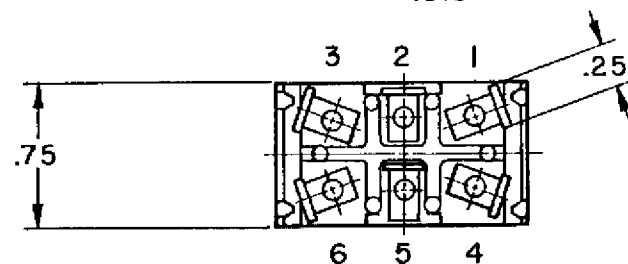
15° ± 4°

.65 ± .05

.47

1.250 MAX

.75



BRIGHT NICKEL TOGGLE LEVER AND BUSHING

SEALED TO PREVENT ENTRANCE OF LIQUIDS OR DUST

15/32 - 32 UNS THREAD TO WITHIN .060 OF SHOULDER

NOTES

- △ FURNISHED UNASSEMBLED
- 2 - CIRCUIT DESIGNATION AND MICRO SWITCH CAT. LISTING MARKED ON SIDE OF SWITCH
- 3 - SWITCH TERMINALS MAY BE USED WITH AMP RECEPTACLE NO. 41194 (OR EQUIVALENT)
- 4 - NUMBER 5 TERMINAL ROTATED 180° (BLADE OF TERMINAL FACING CENTER OF SWITCH)

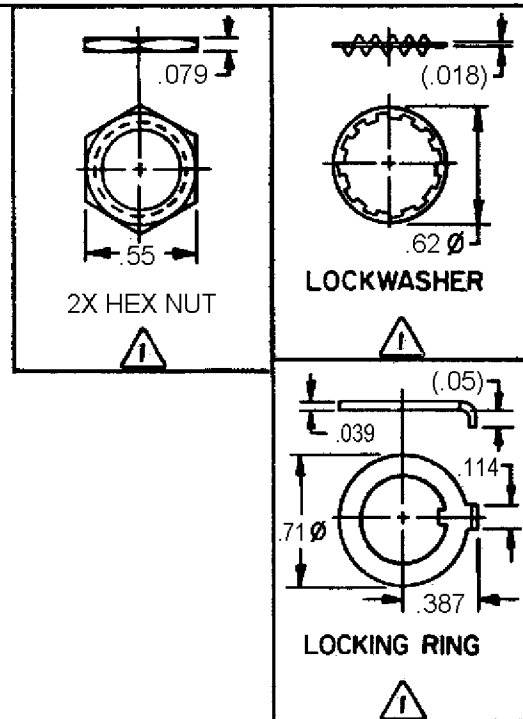
CATALOG LISTING	CIRCUIT MADE WITH TOGGLE LEVER IN		
	KEYWAY SIDE (1-2,4-5)	CENTER (1-2,4-5)	OPPOSITE KEYWAY (2-3,5-6)
12TS95127-1	ON	OFF	ON
12TS95127-2	OFF	NONE	ON
12TS95127-3	ON	NONE	ON
12TS95127-21	NONE	OFF	ON
12TS95127-31	NONE	ON	ON
12TS95127-4	MOM OFF	NONE	ON
12TS95127-5	MOM ON	OFF	ON
12TS95127-6	MOM ON	NONE	OFF
12TS95127-7	MOM ON	OFF	MOM ON
12TS95127-8	MOM ON	NONE	ON
12TS95127-51	NONE	ON	MOM ON
12TS95127-61	MOM ON	OFF	NONE

ELECTRICAL DATA

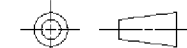
L312
10A 277 VAC, 20A 125 VAC
1.5 HP 125, 250 VAC



10A-125, 250, 277 VAC
1/4HP-125VAC; 1/2HP-250, 277 VAC
3A-125VAC "L" CODE L192



THIRD ANGLE PROJECTION



SCALE **FULL**

DO NOT SCALE PRINT

UNLESS OTHERWISE SPECIFIED TOLERANCES ARE

ONE PLACE (.0) ± .030
TWO PLACE (.00) ± .015
THREE PLACE (.000) ± .005
ANGLES ±

WEIGHT **.10 LB MAX**