

MICRO SWITCH

FREEPORT, ILLINOIS, U.S.A.
A DIVISION OF HONEYWELL
FED. MFG. CODE 91929

SWITCH-TOGGLE

CATALOG LISTING
12TL1 SERIES
CHART 1

MILITARY
STANDARDS
NUMBER

CATALOG
LISTING

KEYWAY SIDE (1-2,4-5)	CIRCUIT MADE WITH TOGGLE LEVER IN	
	CENTER (1-2,4-5)	OPPOSITE KEYWAY (2-3,5-6)
ON	OFF	ON
OFF	NONE	ON
ON	NONE	ON
NONE	OFF	ON
NONE	ON	ON
MOM OFF	NONE	ON
MOM ON	OFF	ON
MOM ON	NONE	OFF
MOM ON	OFF	MOM ON
MOM ON	NONE	ON
NONE	ON	MOM ON
MOM ON	OFF	NONE

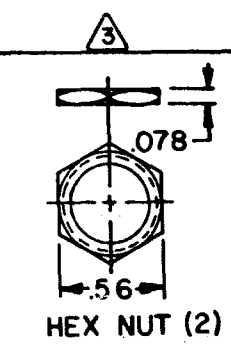
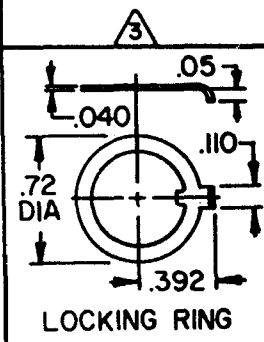
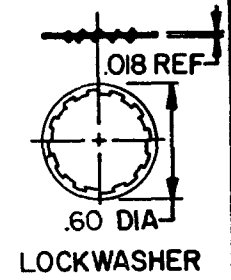
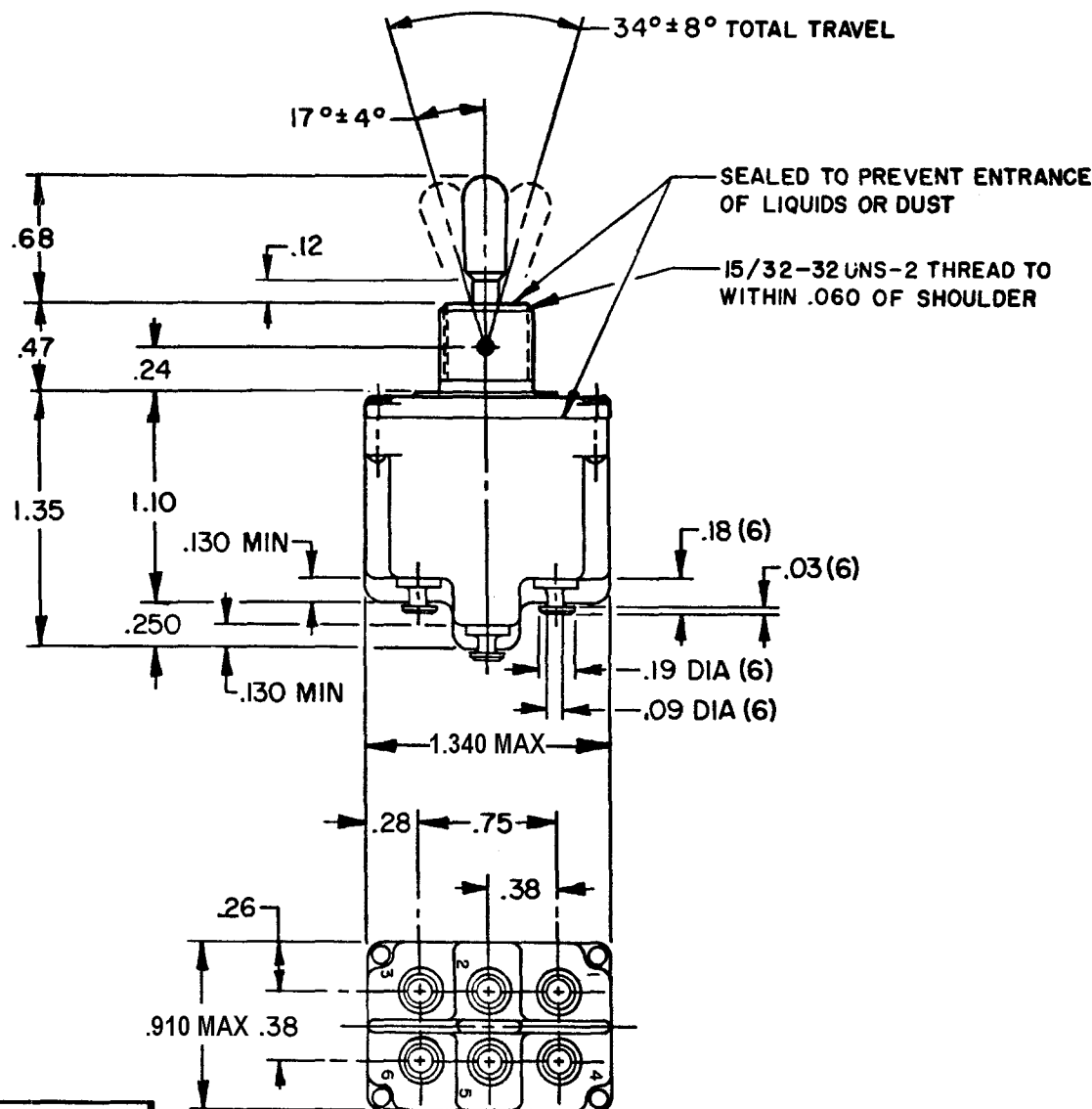
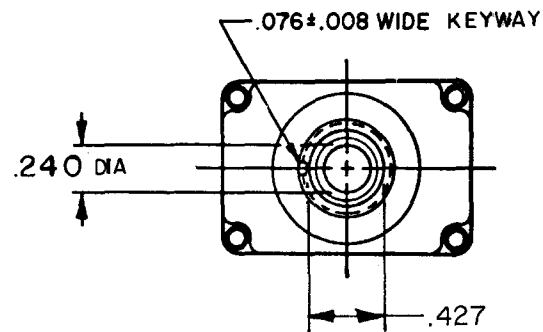
MILITARY RATING (AMPS)

RESISTIVE LOAD				LAMP LOAD		INDUCTIVE LOAD		
DC VOLTS	AC VOLTS	AC VOLTS	AC VOLTS	28 VDC	125 VAC	28 VDC	125 VAC	
28	125	250	125	250	28	125	28	125

THIS DRAWING COVERS A PROPRIETARY ITEM AND IS THE PROPERTY OF MICRO SWITCH, A DIVISION OF HONEYWELL. THIS DRAWING IS NOT TO BE COPIED OR USED WITHOUT THE APPROVAL OF MICRO SWITCH.

MS 27735-21	I2TL1-1	ON	OFF	ON
MS 27735-22	I2TL1-2	OFF	NONE	ON
MS 27735-23	I2TL1-3	ON	NONE	ON
MS 27735-24	I2TL1-21	NONE	OFF	ON
MS 27735-33	I2TL1-31	NONE	ON	ON
MS 27735-29	I2TL1-4	MOM OFF	NONE	ON
MS 27735-31	Ⓞ	MOM ON	OFF	ON
MS 27735-30	I2TL1-6	MOM ON	NONE	OFF
MS 27735-27	I2TL1-7	MOM ON	OFF	MOM ON
MS 27735-26	I2TL1-8	MOM ON	NONE	ON
MS 27735-32	I2TL1-51	NONE	ON	MOM ON
MS 27735-28	I2TL1-61	MOM ON	OFF	NONE

20	.75	.5	15	6	7	4	15	15
(REFER TO L191 FOR UL RATING)								
18	.75	.5	11	6	5	2	10	8
(REFER TO L192 FOR UL RATING)								



NOTES

- SWITCHES ARE CAPABLE OF WITHSTANDING A TEMPERATURE OF 160°F CONTINUOUSLY AT FULL RATED LOAD
- CIRCUIT DESIGNATION, MICRO SWITCH CATALOG LISTING AND "MS" NUMBER MARKED ON SIDE OF SWITCH
- FURNISHED UNASSEMBLED
- FOR TERMINAL COVER SEE MICRO SWITCH CATALOG LISTING 5PA8
- APPLIES ONLY TO "ON" AND "MOMENTARY ON" POSITIONS

CATALOG LISTING
M 12TL1 SERIES CHART 1
PAGE 1 OF 1

ISSUE
14

REVISIONS

A	CO	38392	05 FEB 04
T M M	28 MAR 78		
B	CO	49070	05 FEB 04
G R T	16 MAY 81		
C	CO	49791	05 FEB 04
W J M	16 JUL 81		
D	CO	50496	05 FEB 04
J A P	16 NOV 81		
E	CO	56074	05 FEB 04
G J W	5 DEC 84		
F	CO	76454	05 FEB 04
S A D	2 DEC 94		
G	CO-	95307	05 FEB 04
C S L	18 NOV 99		
H	CO-	94428	05 FEB 04
C S L	28 NOV 99		
J	0003086		
R S	05 FEB 04		

SCALE FULL

DO NOT SCALE PRINT

UNLESS OTHERWISE NOTED
DIMENSIONS ARE IN INCHES

TOLERANCES ARE:

ONE PLACE	(.0)	±.030
TWO PLACE	(.00)	±.015
THREE PLACE	(.000)	±.005
ANGLES		±

WEIGHT, 12 LBS MAX

15A-125, 250 OR 277 VAC
1/2 HP-125VAC; 1HP-250, 277 VAC
5A-125VAC "L" CODE L191

10A-125, 250, 277 VAC
1/4HP-125VAC; 1/2HP-250, 277VAC
3A-125VAC "L" CODE L192

CE RU

CE RU

FORMTEK

DRAWN

T M M 28 MAR 78 CHECK

RELEASE NO. PR-1471

REPLACES

CHECK

CHECK

05 FEB 04

MDM

CHECK

05 FEB 04

CHECK

05 FEB 04