

SERIES TB5

.325" PITCH, TRI-BARRIER

TECHNICAL DATA

MECHANICAL

Torque:

10 lbs-in. Max.

Operating Temperature:

-40°C to +105°C

-40°F to +221°F

Soldering Temperature:

260°C, 500°F for 5 seconds max

MATERIAL

Contact:

Brass, Tin Plated

Screw:

#6-32, Combo Head

Insulator Body:

Polycarbonate, UL 94V-0, Black

ELECTRICAL

Voltage Rating:

300VAC

Current Rating:

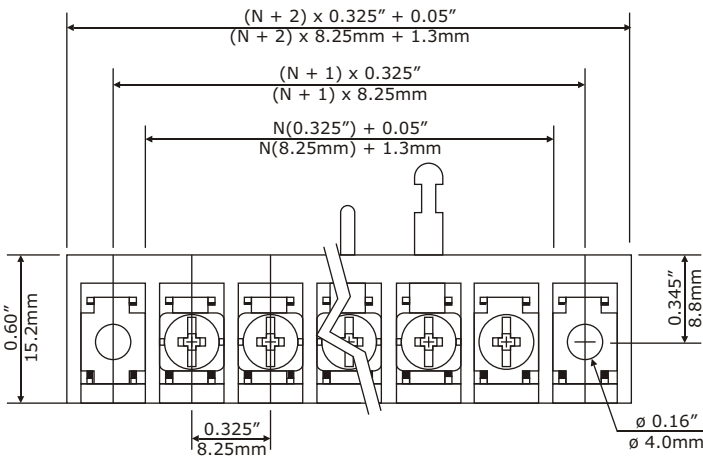
20 Amps

Wire Range:

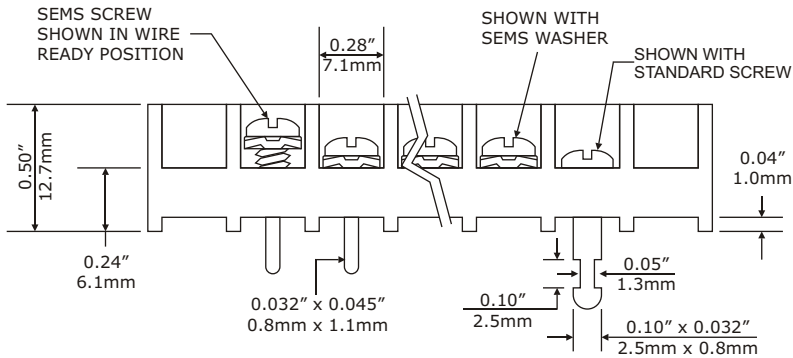
12-22AWG

DIMENSIONAL REFERENCE

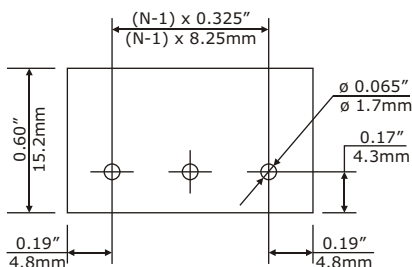
(Shown with Right Angle PC Mount and Solder Turret)



(Shown with Optional Mounting Heads)



P.C.B. LAYOUT



Safety Approval:



PART NUMBERING

Part Number / Ordering Information

XX-TB5-XX-X-XX-XXXX

NUMBER OF TERMINALS

Terminal Styles

OPTION CODE (IF APPLICABLE)

Mounting Hole Options

SCREW OPTIONS

- 00 - No Screws
- 01 - Steel Zinc Plated
- 02 - Steel Zinc Plated Sems
- 03 - Brass Nickel Plated
- 04 - Brass Nickel Plated Sems
- 05 - Stainless Steel Phillips Head
- 11 - Steel Zinc Captive
- 12 - Steel Zinc Sems, Captive
- 13 - Brass Nickel Captive
- 14 - Brass Nickel Sems, Captive
- 21 - Steel Zinc Captive, Wire Ready
- 22 - Steel Zinc Sems Captive, Wire Ready
- 23 - Brass Nickel Captive, Wire Ready
- 24 - Brass Nickel Sems Captive, Wire Ready
- 46 - Steel Sems Uncaptive, Wire Ready

N = Number of contacts

EBY Electro, Inc.

210 Express Street
Plainview, NY 11803-2423 USA

© Copyright 2003 EBY Electro, Inc.



Electro-Mechanical Components Since 1945

www.ebyelectro.com

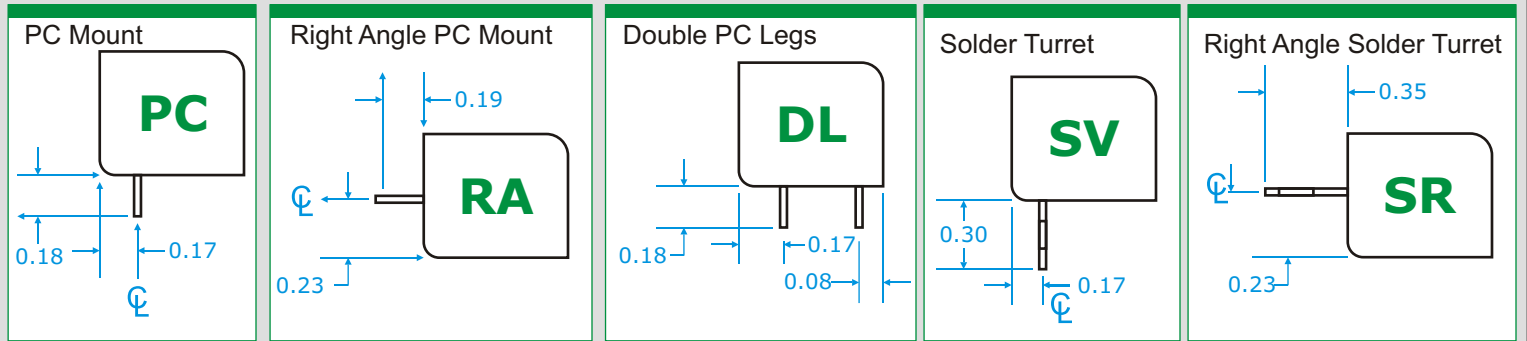
Email: info@ebyelectro.com

Tel: 516.576.7777 · Fax: 516.576.1414

SERIES TB5 OPTIONS

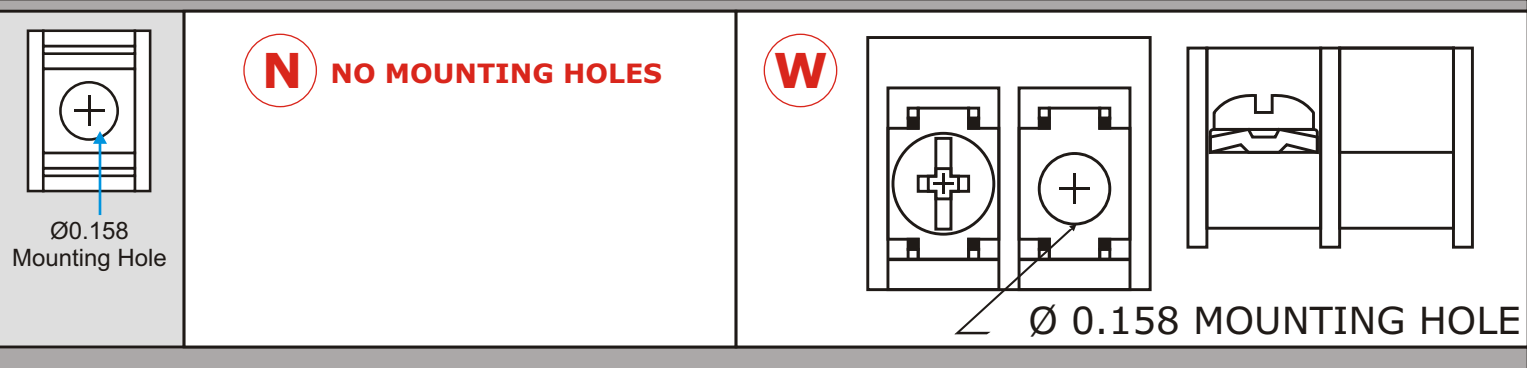
XX Terminal Styles

Select the letters representing your configuration. Enter them into your part number.



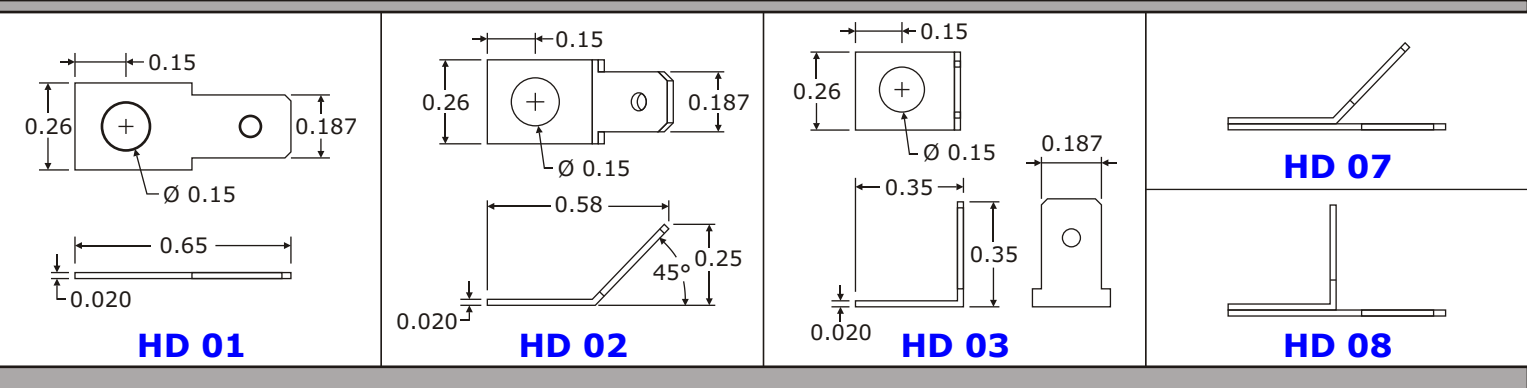
X Mounting Holes

Select the letters representing your configuration. Enter them into your part number.



XX Hardware

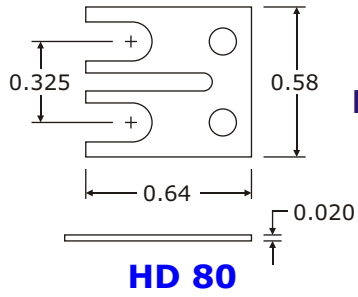
Select the letters representing your configuration. Enter them into your part number.



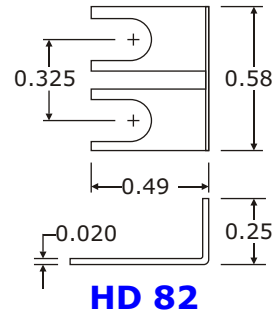
SERIES TB5 OPTIONS

XX Jumpers

Select the letters representing your configuration.
Enter them into your part number.



For .325" Spaced Terminals



EBY Electro, Inc.

210 Express Street
Plainview, NY 11803-2423 USA
© Copyright 2003 EBY Electro, Inc.



Electro-Mechanical Components Since 1945

www.ebyelectro.com

Email: info@ebyelectro.com
Tel: 516.576.7777 · Fax: 516.576.1414