

PACKET

**MICRO SWITCH**  
A DIVISION OF MINNEAPOLIS-HONEYWELL REGULATOR COMPANY  
PRINCETON, ILLINOIS  
FED. MFR. CODE 91929

(M) 12PA3  
REPLACES SKETCH 16922

12PA3

M

RELEASE NO. SR 8886

DRAWING NUMBER

X

X

ISSUE

3

REVISIONS

A	C056164	J A P	6 MAR 85
B	C059134	K E W	15 APR 86

CHECK

29 July 57

CHECK

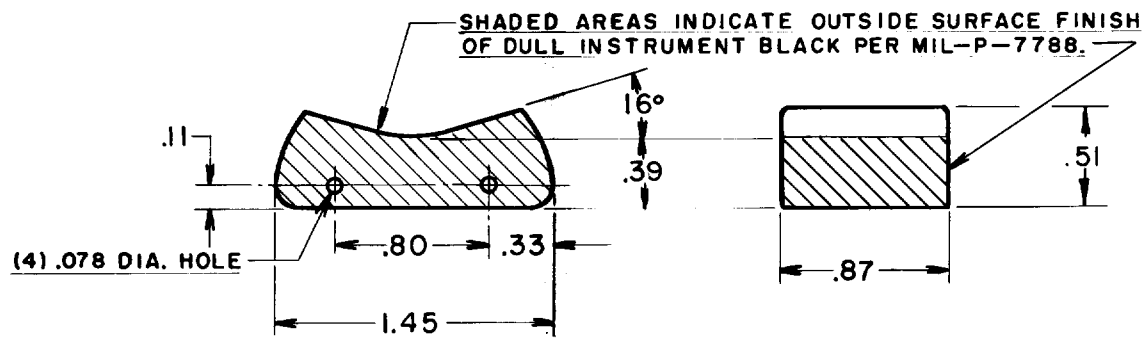
25 MAR 60

CHECK

29 JULY 57

DRAWN

FO-80378



NOTE —  
1 — MATERIAL — TRANSLUCENT WHITE ACRYLIC.

THIS DRAWING COVERS A PROPRIETARY ITEM AND IS THE PROPERTY OF MICRO SWITCH, A DIVISION OF HONEYWELL. THIS DRAWING IS NOT TO BE COPIED OR USED WITHOUT THE APPROVAL OF MICRO SWITCH.

CHARACTERISTICS

ELECTRICAL DATA

SCALE FULL

CONTACT ARRANGEMENT

BREAK DISTANCE

DO NOT SCALE PRINT

UNLESS OTHERWISE SPECIFIED DIMENSIONS ARE IN INCHES

TOLERANCES ARE:

ONE PLACE (.0)	±.030
TWO PLACE (.00)	±.015
THREE PLACE (.000)	±.008
ANGLES	±

WEIGHT