

C2.4

MICRO SWITCH

A DIVISION OF HONEYWELL-HONEYWELL REGULATORS COMPANY
SPRINGFIELD, MASSACHUSETTS

FED. MFR. CODE 91929

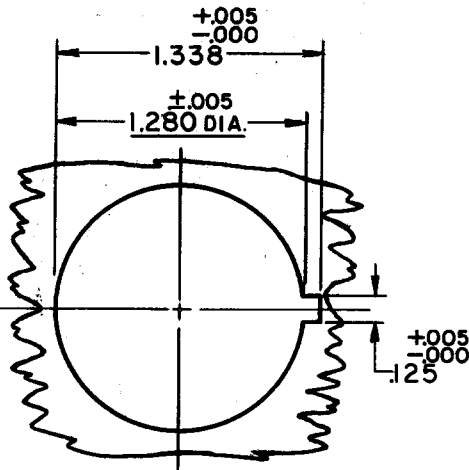
ACTUATOR-SWITCH

"12MA" SERIES

CHART 2

S

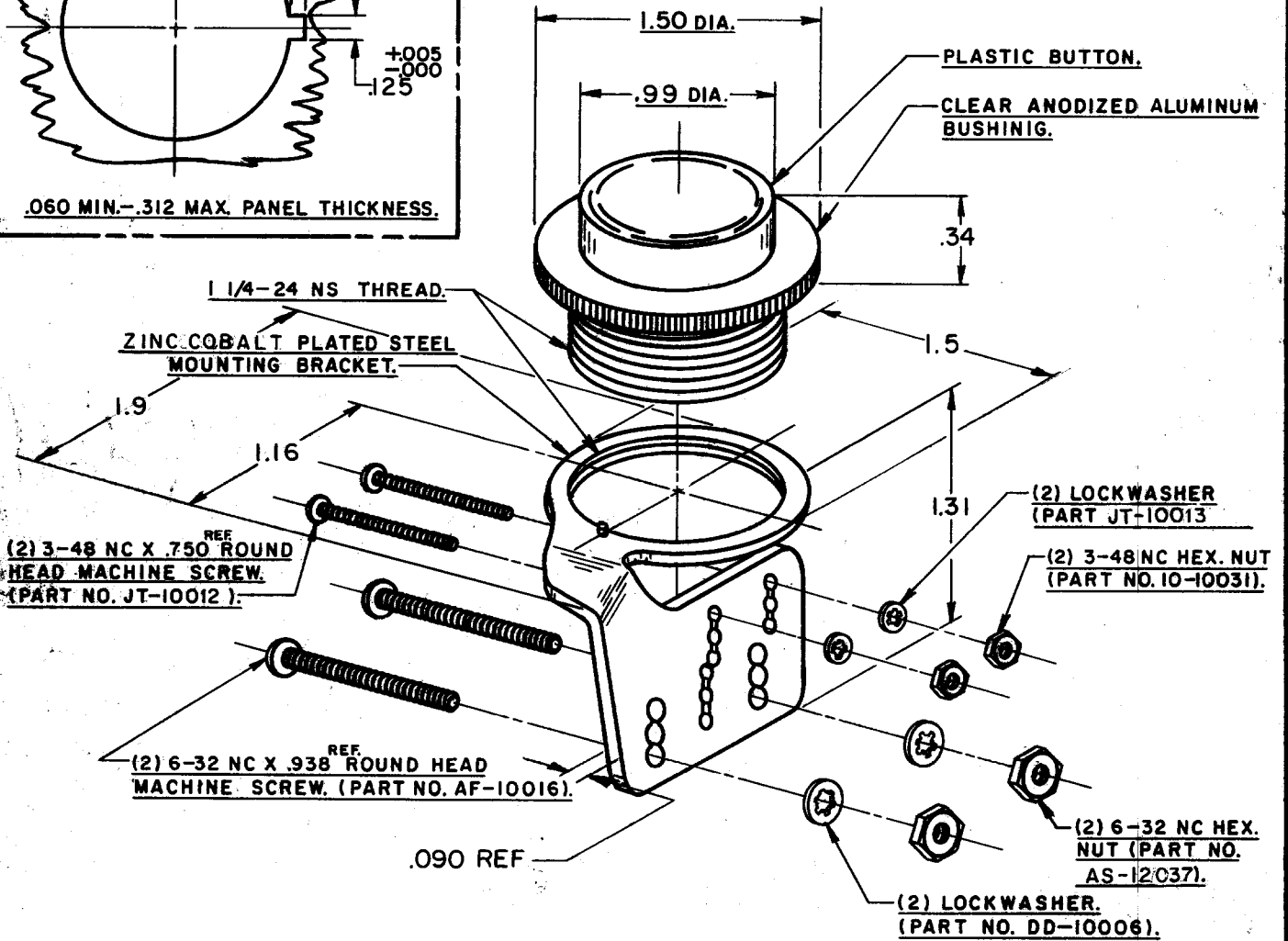
MTG. PANEL HOLE DETAIL



.060 MIN. - .312 MAX. PANEL THICKNESS.

PLASTIC BUTTON COLOR	ACTUATOR-SWITCH CAT. LIST.
BLACK	12MA5
RED	12MA6
GREEN	12MA7

THIS DRAWING COVERS A PROPRIETARY ITEM AND IS THE PROPERTY OF MICRO SWITCH, A DIVISION OF HONEYWELL. THIS DRAWING IS NOT TO BE COPIED OR USED WITHOUT THE APPROVAL OF MICRO SWITCH.



NOTE-

- 1-NOT SUITABLE FOR USE WITH ITBI-3 TYPE BASIC.
- 2-TWO COMPLETE SETS OF SCREWS, NUTS AND WASHERS FURNISHED UNASSEMBLED (CUSTOMER WILL SELECT PROPER SET).
- 3-THE VARIOUS PANEL THICKNESSES MAY BE ACCOMMODATED WITH THIS ACTUATOR BY PROPER SELECTION OF BASIC SWITCH MOUNTING HOLES.

CHARACTERISTICS

ELECTRICAL DATA

SCALE - FULL

CONTACT ARRANGEMENT

DO NOT SCALE PRINT

UNLESS OTHERWISE SPECIFIED DIMENSIONS ARE IN INCHES

TOLERANCES ARE:

ONE PLACE (.0)	±.030
TWO PLACE (.00)	±.015
THREE PLACE (.000)	±.008
ANGLES	±

WEIGHT

M "12MA" SERIES CHART 2

DRAWING NUMBER

ISSUE 1 2 3 4 5 6 7 8

CHECK

DATE

BY

DATE

BY

DATE

BY

DATE

BY

DATE

BY

DATE

BY

REPLACES RELEASE NO. SR 7525 CHECK DATE 24 MAY 58 CHECK DATE 2 JUNE 58 CHECK DATE 22 MAY 58

DRAWN

K.A.F. 22 MAY 58

FO-90378