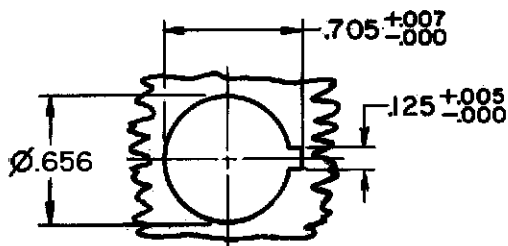
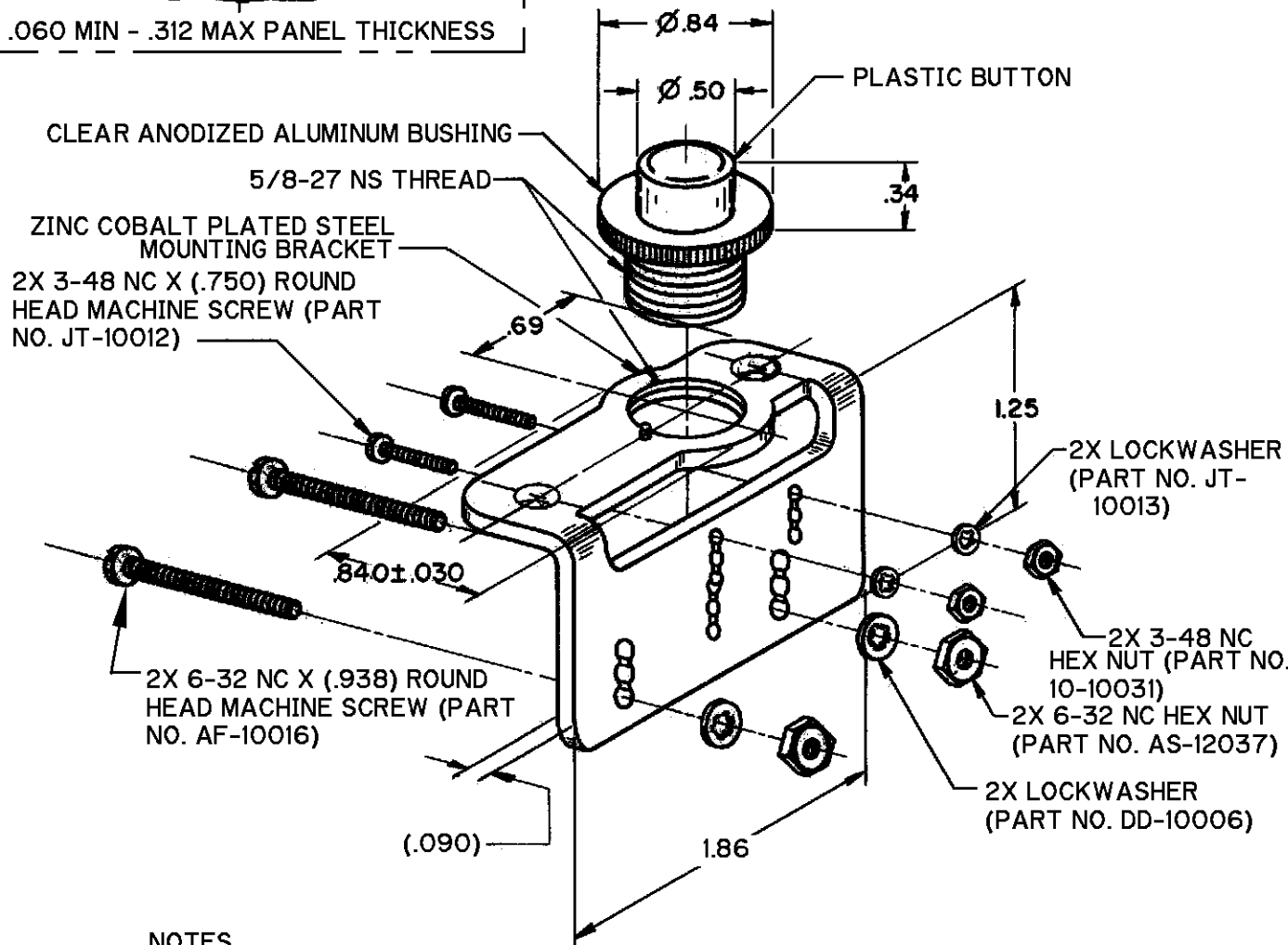


MOUNTING PANEL HOLE DETAIL



.060 MIN - .312 MAX PANEL THICKNESS

RELEASE STATUS	COMMENTS	PLASTIC BUTTON COLOR	ACTUATOR SWITCH CATALOG LISTING
SR 7522		BLACK	12MA1
SR 7522		RED	12MA2
SR 7522		GREEN	(A)
		BLACK	12MA11
		RED	12MA12
P-ORDER		YELLOW	12MA4



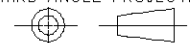
NOTES

- 1 - TWO COMPLETE SETS OF SCREWS, NUTS AND LOCKWASHERS FURNISHED UNASSEMBLED (CUSTOMER WILL SELECT PROPER SET)
- 2 - THE VARIOUS PANEL THICKNESSES MAY BE ACCOMMODATED WITH THIS ACTUATOR BY PROPER SELECTION OF BASIC SWITCH MOUNTING HOLES
- 3 - NOT SUITABLE FOR USE WITH ITB1-3 TYPE BASIC

ANSI Y14.5M-1982 APPLIES

THIS DRAWING COVERS A PROPRIETARY ITEM AND IS THE PROPERTY OF MICRO SWITCH, A DIVISION OF HONEYWELL. THIS DRAWING IS NOT TO BE COPIED OR USED WITHOUT THE APPROVAL OF MICRO SWITCH.

THIRD ANGLE PROJECTION



CHARACTERISTICS	ELECTRICAL DATA	SCALE FULL	DO NOT SCALE PRINT
	CONTACT ARRANGEMENT		
		UNLESS OTHERWISE SPECIFIED TOLERANCES ARE	
		ONE PLACE (.0)	±.030
		TWO PLACE (.00)	±.015
		THREE PLACE (.000)	±.005
		ANGLES	±
		WEIGHT	

CATALOG LISTING "12MA" SERIES CHART 1 PAGE 1 OF 1
 ISSUE 13
 REVISIONS: A CO-94735 JJA 9 JUNE 99; B 200754 CSL 5 JUL 00
 CHECK: JJA 9 JUNE 99
 DRAWN: RASTER
 RELEASE NO. SR 7522 REPLACES