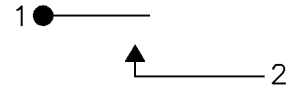


MICRO SWITCH
a Honeywell Division

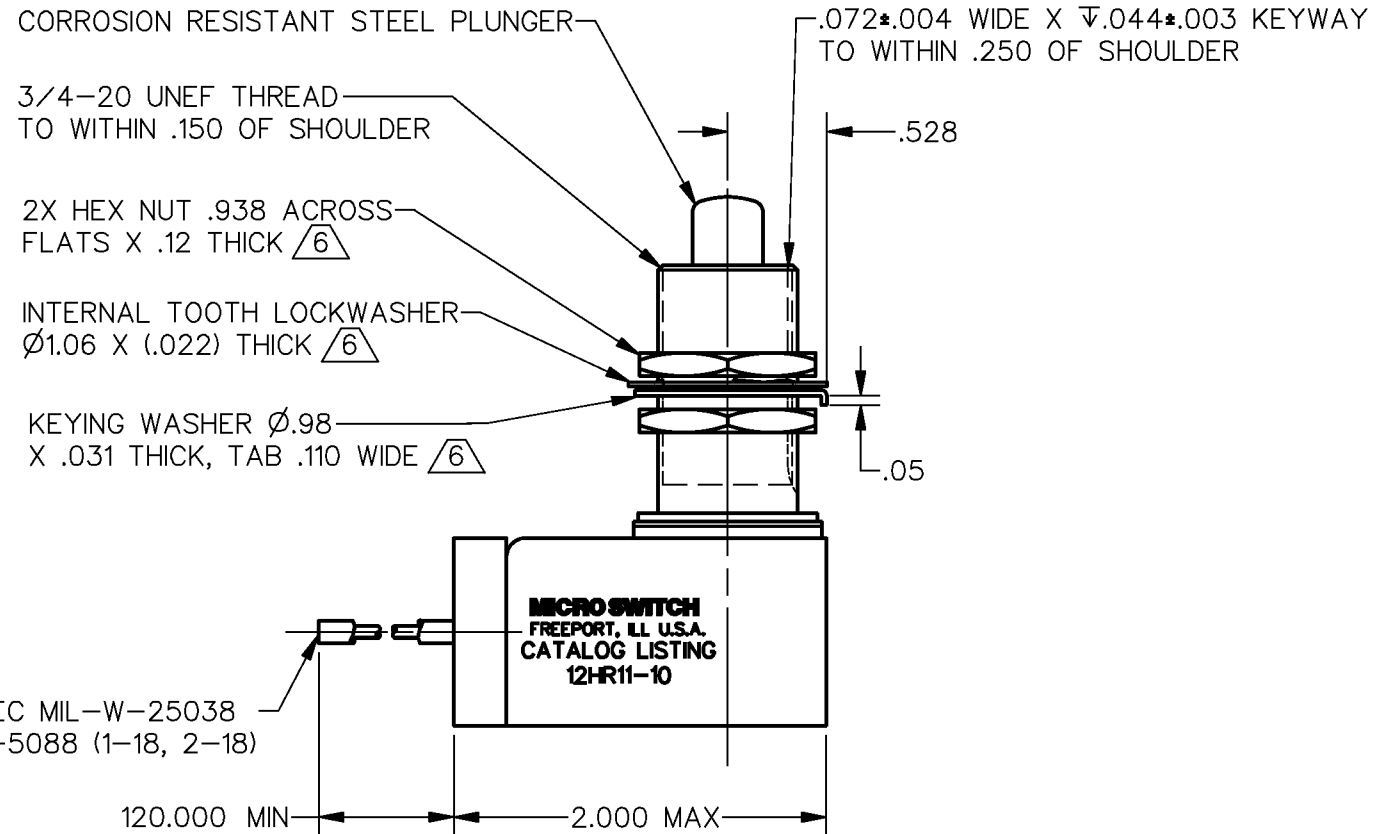
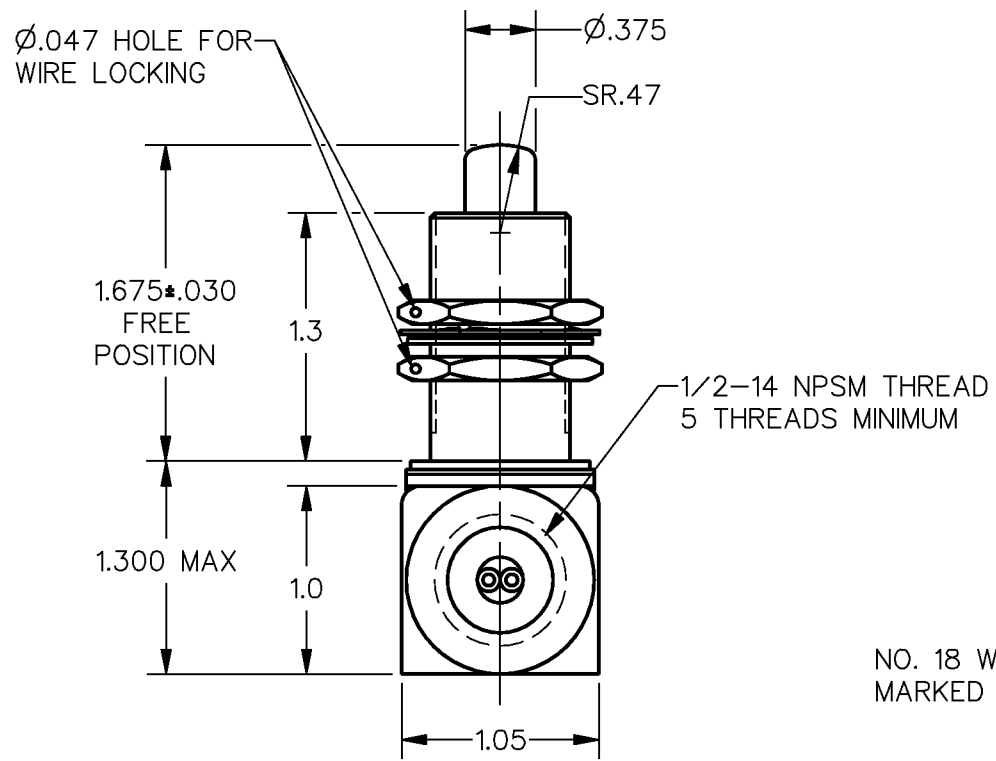
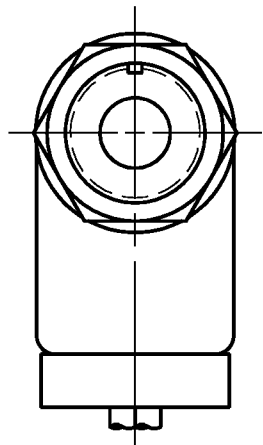
FED. MFG. CODE 91929

SWITCH - ENCLOSED

CATALOG LISTING
12HR11-10



CIRCUIT DIAGRAM



NO. 18 WIRE LEAD PER SPEC MIL-W-25038
MARKED PER SPEC MIL-W-5088 (1-18, 2-18)

CATALOG LISTING 12HR11-10
 PAGE 1 OF 1
 ISSUE M 3
 REVISIONS
 A PR-22487 JAK 22 NOV 96
 B 202627 GRT 21 MAR 01
 CHECK MAM 27 NOV 96
 DRAWN JAK 22 NOV 96
 RASTER

THIS DRAWING COVERS A PROPRIETARY ITEM AND IS THE PROPERTY OF MICRO SWITCH, A DIVISION OF HONEYWELL. THIS DRAWING IS NOT TO BE COPIED OR USED WITHOUT THE APPROVAL OF MICRO SWITCH

CHARACTERISTICS	ELECTRICAL DATA
OPERATING FORCE ——— 6-12 LB	CONTACT ARRANGEMENT 1X S P N O
FULL OVERTRAVEL FORCE --- 35 LB MAX	28 VDC SEA LEVEL
RELEASE FORCE ——— 5 LB MIN	28 VDC 50,000 FT
PRETRAVEL ——— .050 MAX	RES 5
DIFFERENTIAL TRAVEL — .015 MAX	IND 2
OVERTRAVEL ——— .250 MIN	

THIRD ANGLE PROJECTION	
SCALE	FULL
DO NOT SCALE PRINT	
UNLESS OTHERWISE SPECIFIED TOLERANCES ARE	
ONE PLACE	(.0) ±.030
TWO PLACE	(.00) ±.015
THREE PLACE	(.000) ±.005
ANGLES	±
WEIGHT	

- NOTES
- 1 - SWITCH SEALED PER MIL-S-8805 SYMBOL 5 SWITCH CHAMBER. WATERTIGHT TEST NOT APPLICABLE
 - 2 - ALL EXPOSED PARTS ARE CORROSION RESISTANT
 - 3 - CIRCUIT DIAGRAM AND CATALOG LISTING ARE PERMANENTLY MARKED ON SWITCH HOUSING
 - 4 - LEAD IDENTIFICATION IS SHOWN ON CIRCUIT DIAGRAM
 - 5 - SWITCH WILL OPERATE SATISFACTORILY IN TEMPERATURES FROM -85°F TO +599°F
- (6) HARDWARE MAY BE PACKAGED UNASSWMBLED PER MIL-S-8805

ANSI Y14.5M-1982 APPLIES