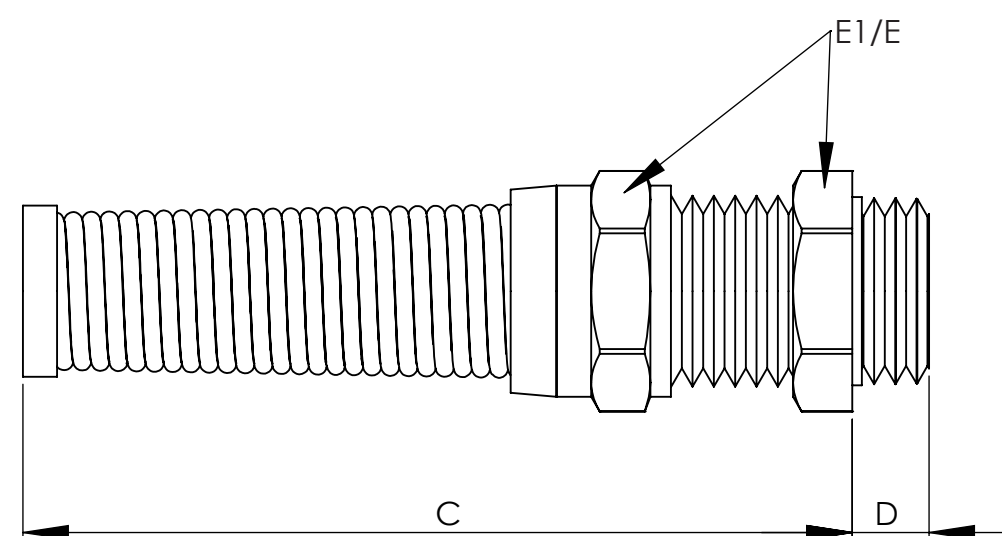
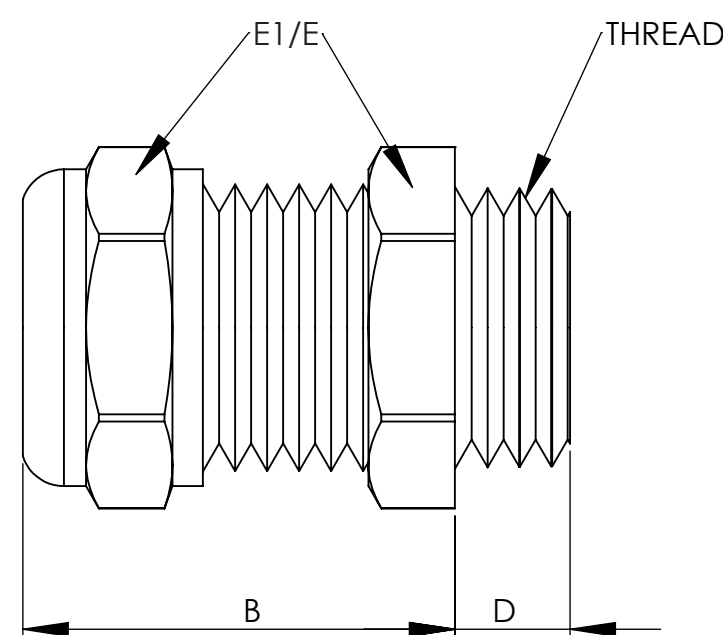


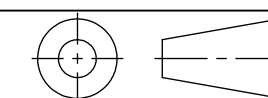
PART NUMBERS		CABLE RANGE inches (mm)	THREAD TYPE AND SIZE For thread specs see page 29	DIMENSIONS INCHES (MM)				
Dome Fittings	Flex Fittings			A Clearance Hole $+0.010^{+0.25\text{mm}}$ 0	B Body Height Dome Fittings	C Body Height Flex Fittings	D Thread Length Fittings	E1/E Wrenching Flats
CD07AA-BR CD07AR-BR	CF07AA-BR CF07AR-BR	.11 - .26 (3 - 6.5) .08 - .20 (2 - 5)	PG 7 1/4" NPT	.49 (12.5)	.75 (19)	2.16 (55)	.20 (5)	.55 (14)
CD09AA-BR CD09AR-BR	CF09AA-BR CF09AR-BR	.16 - .31 (4 - 8) .08 - .24 (2 - 6)	PG 9	.60 (15.2)	.83 (21)	2.60 (66)	.24 (6)	.67 (17)
CD09NA-BR CD09NR-BR	CF09NA-BR CF09NR-BR	.16 - .31 (4 - 8) .08 - .24 (2 - 6)	3/8" NPT	.68 (17.2)	.83 (21)	2.60 (66)	.59 (15)	.67(17) / .75(19) .67(17) / .75(19)
CD11AA-BR CD11AR-BR	CF11AA-BR CF11AR-BR	.20 - .39 (5 - 10) .11 - .27 (3 - 7)	PG 11	.73 (18.5)	.87 (22)	3.03 (77)	.24 (6)	.79 (20)
CD13AA-BR CD13AR-BR	CF13AA-BR CF13AR-BR	.24 - .47 (6 - 12) .20 - .35 (5 - 9)	PG 13.5	.80 (20.3)	.94 (24)	3.46 (88)	.26 (6.5)	.87 (22)
CD13NA-BR CD13NR-BR	CF13NA-BR CF13NR-BR	.24 - .47 (6 - 12) .20 - .35 (5 - 9)	1/2" NPT	.83 (21.1)	.94 (24)	3.46 (88)	.51 (13)	.87(22) / .94(24) .87(22) / .94(24)
CD16AA-BR CD16AR-BR	CF16AA-BR CF16AR-BR	.39 - .55 (10 - 14) .27 - .47 (7 - 12)	PG 16	.88 (22.3)	.91 (23)	3.86 (98)	.26 (6.5)	.94 (24)
CD21AA-BR CD21AR-BR	CF21AA-BR CF21AR-BR	.51 - .71 (13 - 18) .35 - .63 (9 - 16)	PG 21	1.12 (28.4)	.94 (24)	4.37 (111)	.27 (7)	1.18 (30)
CD21NA-BR CD21NR-BR	CF21NA-BR CF21NR-BR	.51 - .71 (13 - 18) .35 - .63 (9 - 16)	3/4" NPT	1.05 (26.7)	.98 (25)	4.37 (111)	.51 (13)	1.18 (30)
CD29AA-BR CD29AR-BR		.71 - .98 (18 - 25) .51 - .79 (13 - 20)	PG 29	1.47 (37.3)	1.14(29)	--	.31 (8)	1.57 (40)
CD29NA-BR CD29NR-BR		.71 - .98 (18 - 25) .51 - .79 (13 - 20)	1" NPT	1.35 (34.3)	1.14(29)	--	.75 (19)	1.57 (40)
CD36AA-BR CD36AR-BR		.87 - 1.26 (22 - 32) .79 - 1.02 (20 - 26)	PG 36	1.85 (47.0)	1.38(35)	--	.31 (8)	1.97 (50)
CD42AA-BR CD42AR-BR		1.26 - 1.50 (32 - 38) .98 - 1.22 (25 - 31)	PG 42	2.13 (54.1)	1.46(37)	--	.35 (9)	2.24 (57)
CD48AA-BR CD48AR-BR		1.46 - 1.73 (37 - 44) 1.14 - 1.38 (29 - 35)	PG 48	2.34 (59.4)	1.50(38)	--	.39 (10)	2.52 (64)



NOTES:

- 1) GENERAL DIMENSIONS DRAWINGS.
- 2) DIMENSIONS [] ARE IN INCHES.
- 3) DIMENSIONS NOTED ARE FOR REFERENCE ONLY.

Third angle projection



14853 HINDSDALE AVE, SUITE D
CENTENNIAL, CO 80112-4240, USA
TEL: +1-303-699-1135
TOLL FREE: +1-800-456-9012
E MAIL: info@sealconusa.com,
WEBSITE: www.sealconusa.com

