

THIS DRAWING IS UNPUBLISHED.		RELEASED FOR PUBLICATION	
© COPYRIGHT - By -		ALL RIGHTS RESERVED.	
PROJECT	PRJ-14-000004825		
PART NO	X-2823587-X		
HV DESC	M12 A-90 DEGREE, M-5 AND M-8 FIELD INSTALLABLE CONNECTORS		
CUSTOMER	GENERAL MARKET		

REVISIONS				
P	LTR	DESCRIPTION	DATE	APVD
A		NEW RELEASE	04NOV2016	KK GG



M12 A-90 DEGREE-M-5, TE CAT 5



M12 A-90 DEGREE-F-5, TE CAT 5



M12 90°-M-8 TE CAT 7



M12 90° FM-8 TE CAT 7

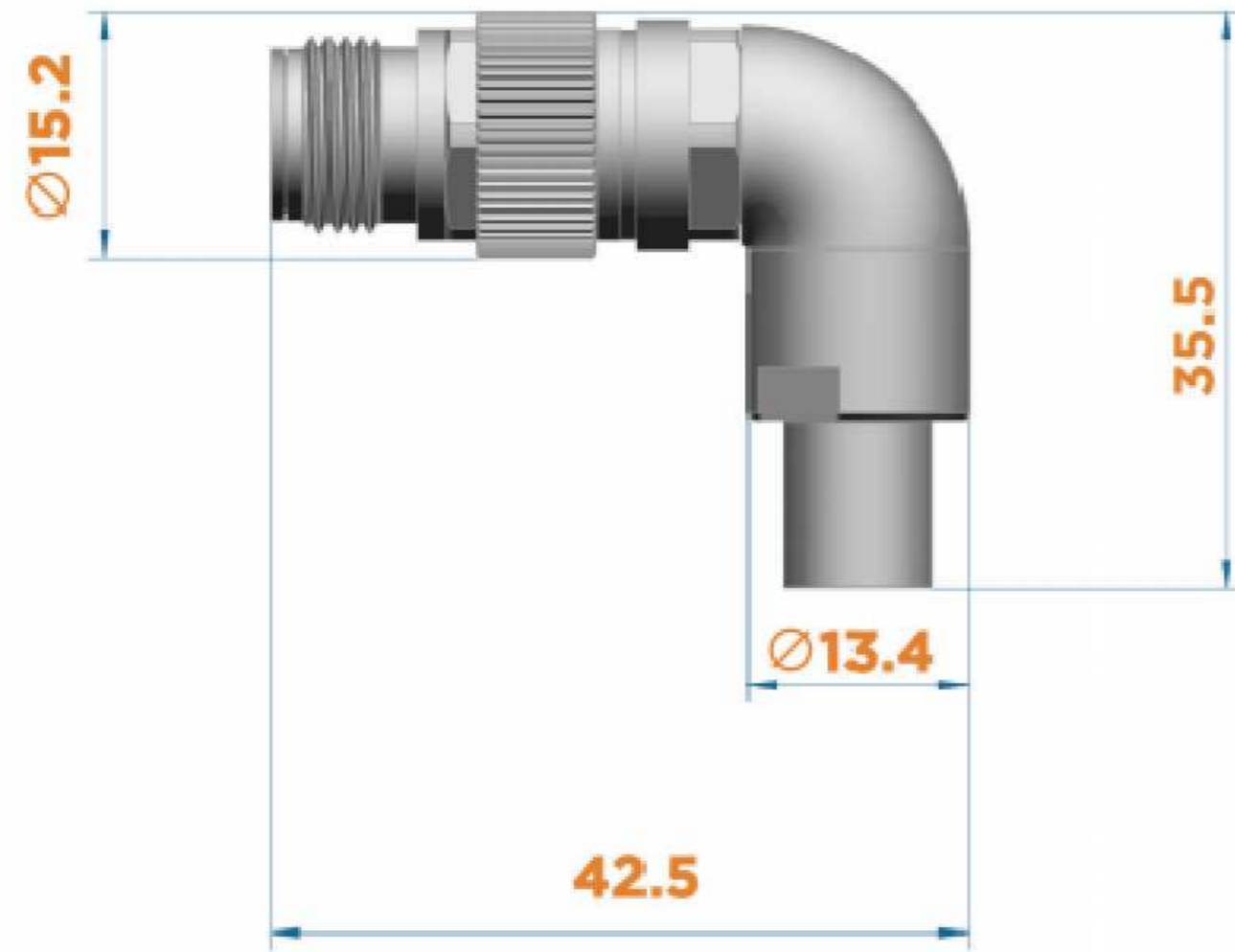
CODE	TE FG PN'S	TE DESCRIPTION	NUMBER OF POLES IN CONNECTOR	NUMBER OF CONTACTS REQUIRED	CABLE PLUG	CABLE SOCKET	BULKHEAD PLUG	CABLE REFERENCE	AWG	HAND TOOL (TE PN) (COMPACT)	HAND TOOL (TE PN) (STANDARD)	RECOMMENDED POSITIONER (TE PN) (COMPACT)	RECOMMENDED POSITIONER (TE PN) (STANDARD)	CRIMP SLEEVE HAND TOOL TMDCD TE PN	CRIMP INSERT TE PN'S	CABLE JACKET STRIPPING TOOL TE PN	ASSEMBLY TOOL HANDLE FOR CRIMP FLANGE TE PN	UNIVERSAL INSERT TE PN (ALL M12 CODES)	ASSEMBLY TOOL FRONT HOUSING AND BACK NUT TE PN	CABLE COLOUR	NUMBER OF WIRES PER CABLE	CABLE MANUFACTURER	CABLE PN
A code	1-2823587-1	M12 A-90 DEGREE-M-5, TE CAT 5	5	4	X			TE CAT 5		601966-1	601967-1	SEL NO.7	22	1-2823557-1	No drawing or cable information available X					X	4	TE	
A code	1-2823587-2	M12 A-90 DEGREE-F-5, TE CAT 5	5	4		X		TE CAT 5		601966-1	601967-1	SEL NO.7	22	1-2823557-1	No drawing or cable information available X					X	4	TE	
A code	1-2823587-3	M12 90°-M-8 TE CAT 7	8	8	X			TE CAT 7	24	601966-1	601967-1	N/A	N/A	1-2823557-1	CEH090 1-2823558-5					WHITE	8	TE	
A code	1-2823587-4	M12 90° FM-8 TE CAT 7	8	8		X		TE CAT 7	24	601966-1	601967-1	N/A	N/A	1-2823557-1	CEH090 1-2823558-5					WHITE	8	TE	

2823587

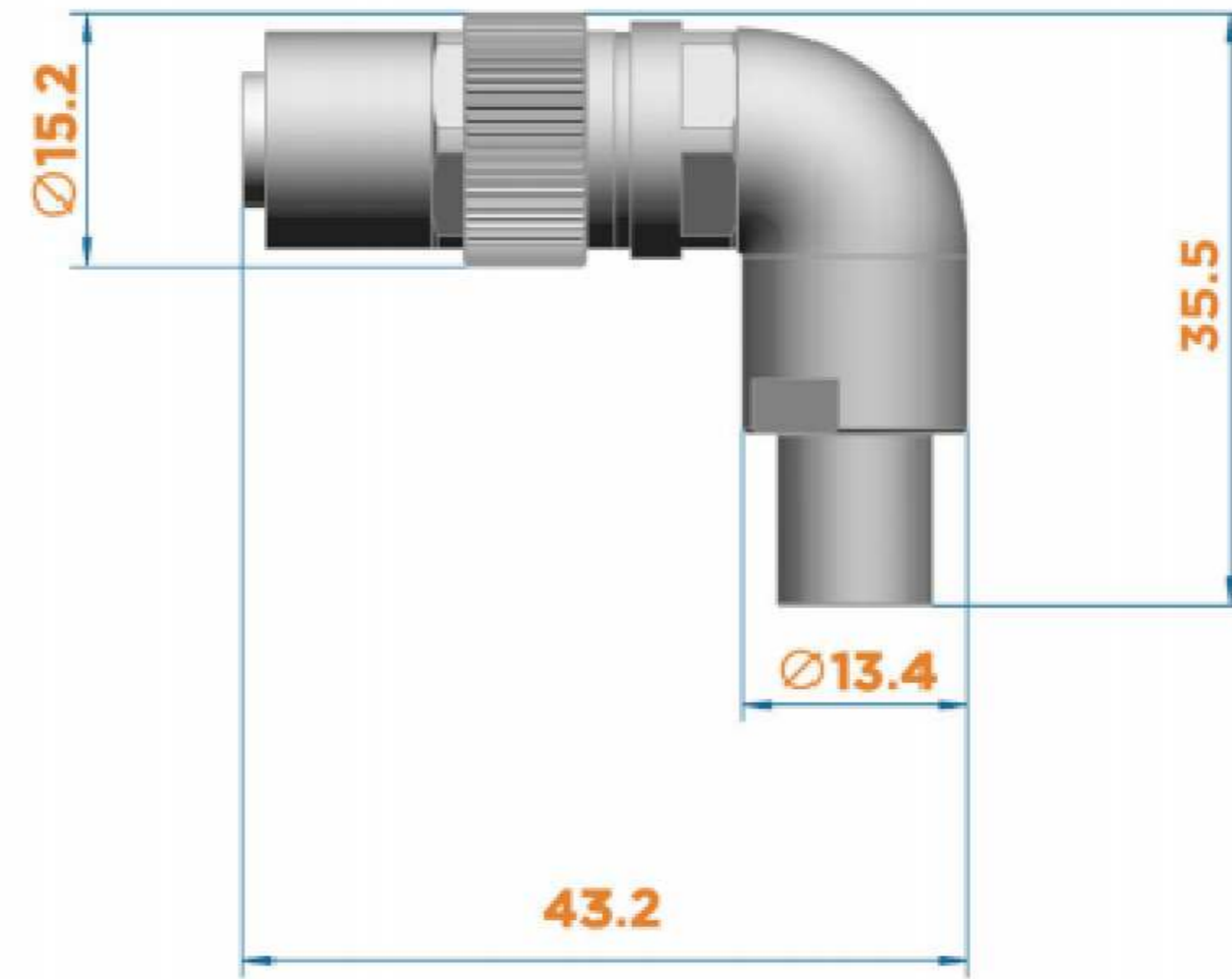
THIS DRAWING IS A CONTROLLED DOCUMENT.		DWN KIRAN K 04NOV2016	 TE Connectivity	
DIMENSIONS: mm		CHK GUNASEKHAR G 04NOV2016		
TOLERANCES UNLESS OTHERWISE SPECIFIED:		APVD GUNASEKHAR G 04NOV2016	NAME M12 A-90 DEGREE, A-CODED M-5 AND M-8 FIELD INSTALLABLE CONNECTORS	
0 PLC ± - 1 PLC ± - 2 PLC ± - 3 PLC ± - 4 PLC ± - ANGLES ± -		PRODUCT SPEC 108-156001	SIZE A2	
MATERIAL		APPLICATION SPEC 408-156030	CAGE CODE 00779	DRAWING NO C=2823587
FINISH		WEIGHT	RESTRICTED TO	
		CUSTOMER DRAWING	SCALE NTS	SHEET 1 OF 2

THIS DRAWING IS UNPUBLISHED. RELEASED FOR PUBLICATION
 © COPYRIGHT - By - ALL RIGHTS RESERVED.

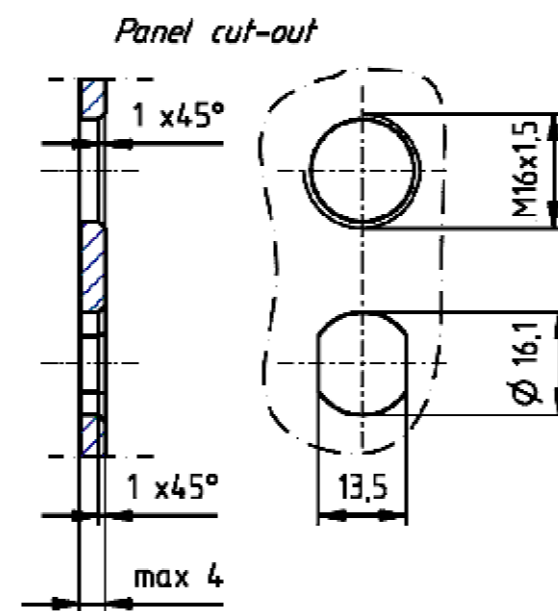
REVISIONS				
P	LTR	DESCRIPTION	DATE	APVD
-	-	SEE SHEET 1	-	-



MALE CONNECTOR



FEMALE CONNECTOR



CUSTOMER CAN CHOOSE ANY ONE OF THE PANEL CUT-OUT.

NOTES:

MATERIAL:

- ITEM NO. 1: HOUSING - BRASS, NICKEL PLATED.
- ITEM NO. 2: PLASTIC BODY - PA (UL94 V-0).
- ITEM NO. 3: CONTACT FINISH - Au (gold).
- CONTACT - CuZn (Brass).
- ALL DIMENSIONS ARE FOR NOMINAL REFERENCE ONLY.
- PACKAGING: 1 PIECE IN A BAG.
- THE CONNECTOR IS AS PER IEC 61076-2-101.
- TEMPERATURE RANGE: -40°C TO 85°C (WITH CABLE BOOT), -30°C TO 85°C (WITHOUT CABLE BOOT).
- VIBRATION & SHOCK TEST CONDUCTED AS PER IEC 61373:1999.
- FIRE PERFORMANCE CONDUCTED AS PER EN45545-2, NFF16-101 AND NFF16-102.
- THE THREAD OF THE MATING INTERLACE WITH THE COUNTERPART IS M12x1 ACCORDING TO IEC61076-2-101.
- CRIMP INSERT: SHOULD BE VALIDATED ON CABLE USED.

THIS DRAWING IS A CONTROLLED DOCUMENT.		DWN KIRAN K 04NOV2016																				
DIMENSIONS: mm		CHK GUNASEKHAR G 04NOV2016																				
TOLERANCES UNLESS OTHERWISE SPECIFIED:		APVD GUNASEKHAR G 04NOV2016	NAME M12 A-90 DEGREE, A-CODED M-5 AND M-8 MALE AND FEMALE CONNECTOR																			
<table border="1"> <tr><td>0 PLC</td><td>±</td><td>-</td></tr> <tr><td>1 PLC</td><td>±</td><td>-</td></tr> <tr><td>2 PLC</td><td>±</td><td>-</td></tr> <tr><td>3 PLC</td><td>±</td><td>-</td></tr> <tr><td>4 PLC</td><td>±</td><td>-</td></tr> <tr><td>ANGLES</td><td>±</td><td>-</td></tr> </table>		0 PLC	±	-	1 PLC	±	-	2 PLC	±	-	3 PLC	±	-	4 PLC	±	-	ANGLES	±	-	PRODUCT SPEC 108-156001	SIZE A2	
0 PLC	±	-																				
1 PLC	±	-																				
2 PLC	±	-																				
3 PLC	±	-																				
4 PLC	±	-																				
ANGLES	±	-																				
MATERIAL		APPLICATION SPEC 408-156030	CAGE CODE 00779	DRAWING NO C=2823587																		
FINISH		WEIGHT	RESTRICTED TO																			
		CUSTOMER DRAWING		SCALE NTS																		
		SHEET 2 of 2		REV A																		