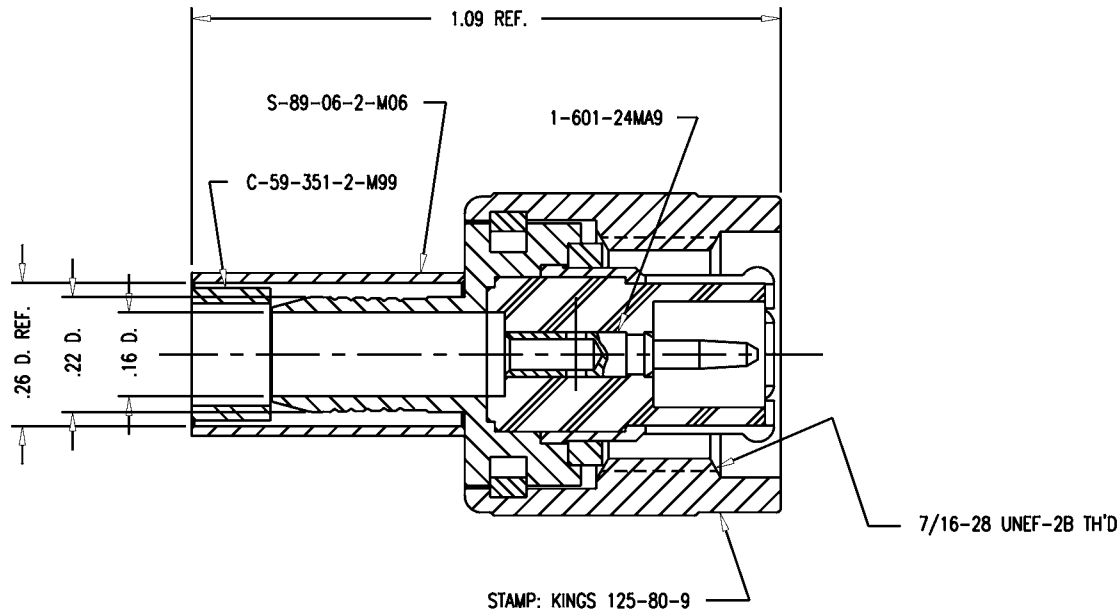


DASH NO.	M CODE	MADE FROM
----------	--------	-----------

GSD

125-80-9



NOTES:

- FOR USE WITH DEC 1703002-0-0 REV. B MOD. CABLE.
- FOR CABLING INSTRUCTIONS SEE 3-491.
- FOR CRIMPING USE DIE SIZE KTH-2002.
- FOR CABLE TRIMMING USE KTJ-113 & KTD-184.
- INTERFACE PER MIL-STD-348, FIG. 313-1.
- MARK SHIPPING CONTAINER:
KINGS 125-80-9
DEC 1234737-0-0 AX01

PURCHASE ORDER NO.
QUANTITY

LATEST DEC DWG. REVISION LEVEL (AT TIME OF P.O.)

- MATERIALS:**
INSULATOR: TEFLON, ASTM-D-1457
RUBBER GASKETS: SILICONE RUBBER, ZZ-R-765
CABLE GASKET: SYNTHETIC RUBBER, MIL-P-25732
OUTER CONTACT: BER. COP., ASTM-B-196
C-RING: PHOSPHOR BRONZE, QQ-B-750
CRIMP SLEEVE: COM. BRONZE, ALLOY 220
ALL OTHER METAL PARTS: BRASS, QQ-B-626

- FINISHES:**
CENTER CONTACT: HARD GOLD PLATE PER MIL-G-45204
ALL OTHER METAL PARTS: KINGS TARNISH RESISTANT FINISH (TR-5)
- ELECTRICAL CHARACTERISTICS:**
NOMINAL IMPEDANCE: 50 OHMS
WORKING VOLTAGE: 500 VOLTS RMS
FREQUENCY RANGE: DC TO 4 GHz

REVISIONS	
ISSUE	CHANGES
0	ER 32827 WJM 01/31/91
1	CN 32898 E KH 02/22/91

SCALE	4:1
APPROX SURFACE AREA	
WAS:	E-16569 REV. 1
USED ON	
REF:	DEC # 12-34737-0-0 AX01
PLUG, TNC	
DRAWN	WJM
DATE	01/31/91
DESIGN	VLS
DATE	02/06/91
APPR.	
DATE	

KINGS
ELECTRONICS CO., INC.
TUCKAHOE, NEW YORK 10707

125-80-9

GSD