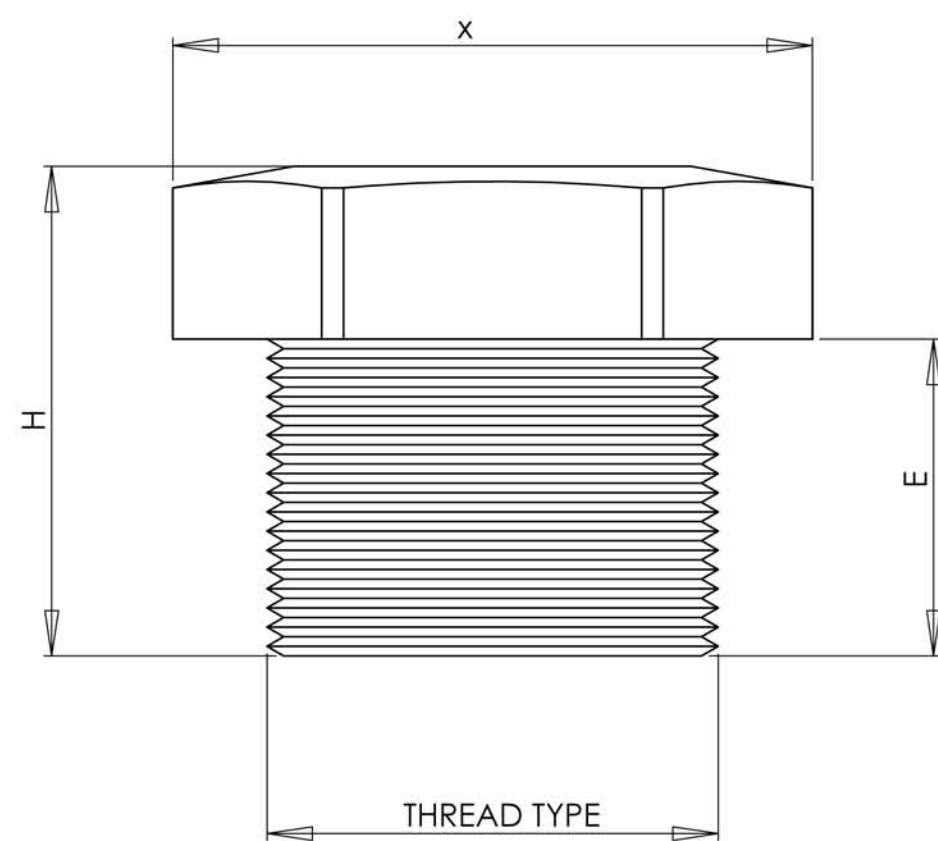


SPECIFICATIONS:

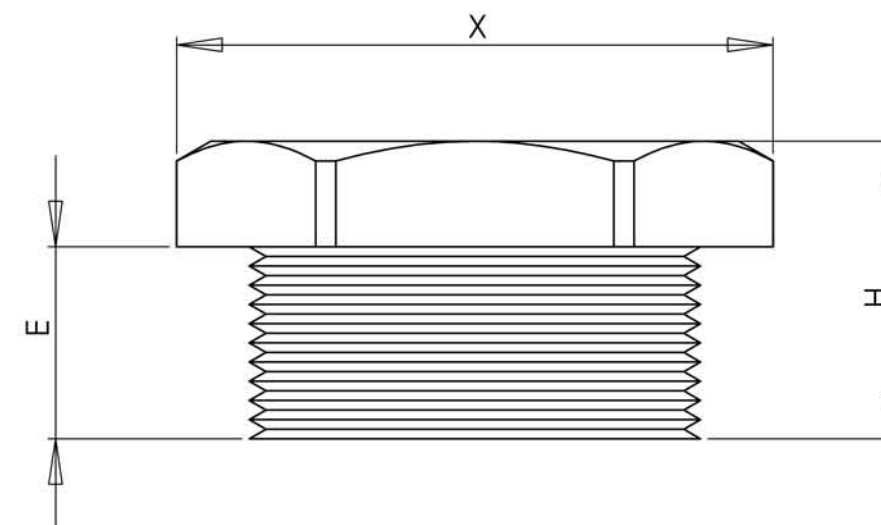
- Materials:**
- Nylon, Nickel Plated Brass, or Polycrylene
 - Buna-N/Viton® O-Ring seal optional.
 - For elevated temperatures, Nickel plated brass plugs with Viton® O-ring are available.
- Operating Temperature:**
 Buna-N: -40°F to 212°F (-40°C to 100°C)
 Viton®: -40°F to 392°F (-40°C to 200°C)

PART NUMBERS		THREAD TYPE AND SIZE For thread specs see page 29	DIMENSIONS INCHES (MM)					
Nylon Plugs	Brass Plugs		Nylon			Brass		
Black	Nickel Plated		H Overall Height	X Wrenching Flat	E Thread Length	H Overall Height	X Wrenching Flat	E Thread Length
HM-12-BK HP-07-BK	HM-12-BR HP-07-BR	M12 x 1.5 PG 7 1/4"NPT	.51 (13) .51 (13)	.59 (15) .59 (15)	.33 (8.5) .33 (8.5)	.31 (8) .31 (8)	.55 (14) .55 (14)	.20 (5) .20 (5)
HP-09-BK HN-38-BK	HP-09-BR	PG 9 NPT 3/8"	.51 (13) .82 (21)	.75 (19) .75 (19)	.33 (8.5) .33 (8.5)	.35 (9) --	.67 (17) --	.24 (6) --
HM-16-BK HP-11-BK	HM-16-BR HP-11-BR	M16 x 1.5 PG 11	.51 (13) .57 (14.5)	.75 (19) .94 (24)	.33 (8.5) .35 (9)	.35 (9) .37 (9.5)	.75 (19) .81 (20)	.24 (6) .24 (6)
HM-20-BK HP-13-BK	HM-20-BR HP-13-BR	M20 x 1.5 PG 13	.57 (14.5) .57 (14.5)	.94 (24) .94 (24)	.35 (9) .35 (9)	.35 (9) .37 (9.5)	.87 (22) .87 (22)	.24 (6) .26(6.5)
HN-12-BK HP-16-BK	HP-16-BR	NPT 1/2" PG 16	.81 (20) .63 (16)	.94 (24) 1.10 (28)	.55 (14) .41(10.5)	-- .39 (10)	-- .94 (24)	-- .26(6.5)
HM-25-BK HN-34-BK	HM-25-BR	M25 x 1.5 NPT 3/4"	.63 (16) .87 (22)	1.10 (28) 1.12 (28)	.41(10.5) .65 (16)	.41 (10.5) --	1.18 (30) --	.27 (7) --
HP-21-BK HM-32-BK	HP-21-BR HM-32-BR	PG 21 M32 x 1.5	.69 (17.5) .69 (17.5)	1.42 (36) 1.42 (36)	.45(11.5) .45(11.5)	.41 (10.5) .49 (12.5)	1.18 (30) 1.61 (41)	.27 (7) .31 (8)
HN-10-BK HP-29-BK	HP-29-BR	NPT 1" PG 29	.91 (23) .71 (18)	1.36 (34) 1.81 (46)	.65 (17) .45(11.5)	-- .49 (12.5)	-- 1.61 (41)	-- .31 (8)
HM-40-BK HP-36-BK	HM-40-BR HP-36-BR	M40 x 1.5 PG 36	.71 (18) .79 (20)	1.81 (46) 2.16 (55)	.45(11.5) .53(13.5)	.51 (13) .51 (13)	1.81 (46) 1.97 (50)	.31 (8) .31 (8)
HM-50-BK HP-42-BK	HM-50-BR HP-42-BR	M50 x 1.5 PG 42	.79 (20) .79 (20)	2.16 (55) 2.36 (60)	.53(13.5) .53(13.5)	.59 (15) .59 (15)	2.16 (55) 2.28 (58)	.35 (9) .35 (9)
HP-48-BK HM-63-BK	HP-48-BR HM-63-BR	PG 48 M63 x 1.5	.83 (21) .83 (21)	2.75 (70) 2.75 (70)	.57(14.5) .57(14.5)	.65 (16.5) 65 (16.5)	2.55 (65) 2.75 (70)	.39 (10) .39 (10)

NYLON/POLYPROPYLENE PLUG



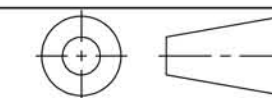
BRASS PLUG



NOTES:

- 1) GENERAL DIMENSIONS DRAWINGS.
- 2) DIMENSIONS [] ARE IN INCHES.
- 3) DIMENSIONS NOTED ARE FOR REFERENCE ONLY.

Third angle projection



14853 HINDSDALE AVE, SUITE D
 CENTENNIAL, CO 80112-4240, USA
 TEL: +1-303-699-1135
 TOLL FREE: +1-800-456-9012
 E MAIL: info@sealconusa.com,
 WEBSITE: www.sealconusa.com

