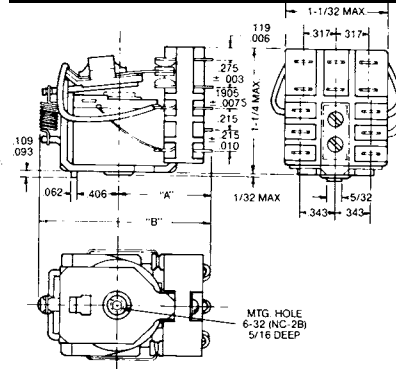
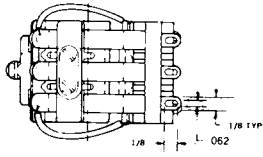
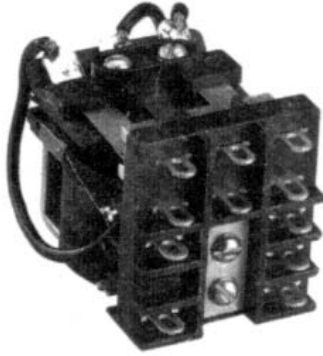





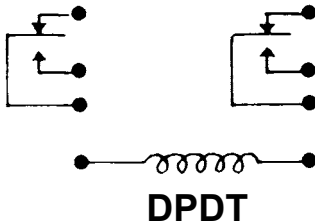
Series 1240 / 1245 General Purpose Relay



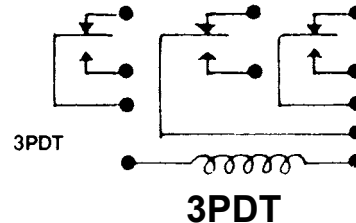
Mechanical Life: 1,000,000 Operations (Approximately).
 Rated Load: 100,000 Operations (Approximately).
 Contact Rating: 10 Amperes at 120 VAC non-Inductive.
 Weight: 2.5 oz.

| Part Number | Nominal Volts | Coil Res Ohms +/- 10% | Voltage Range | Power Required | UL Recognition Recognized under the Component Recognition Program of Underwriters Laboratories Inc.  |
|--------------|---------------|-----------------------|---------------|----------------|---|
| DPDT | 3PDT | | | | |
| 1240-2C-24A | 1240-3C-24A | 24 VAC | 55 | +10%/15% | 4 VA |
| 1240-2C-120A | 1240-3C-120A | 120 VAC | 1095 | +10%/15% | 4 VA |
| 1240-2C-240A | 1240-3C-240A | 240 VAC | 5000 | +10%/15% | 4 VA |
| 1245-2C-12D | 1245-3C-12D | 12 VDC | 75 | +10%/20% | 2 Watts |
| 1245-2C-24D | 1245-3C-24D | 24 VDC | 300 | +10%/20% | 2 Watts |
| 1225-2C-110D | 1245-3C-110D | 110 VDC | 6500 | +10%/20% | 2 Watts |

Wiring Diagrams



Double Pole - Double Throw Relays.



Triple Pole, Double Throw Relays.

Guardian part numbers look like this:

1240 - 2C - 120A

The first number is the model number, the middle letter/number combination refers to Double Pole - Double Throw vs. Triple Pole - Double Throw, and the third number is the power supply required for the Relay.

Ordering Information

| Model | Duty Cycle | Power Supply |
|------------------------|------------------------|---|
| 1240 = AC 1245 = DC | 2C = DPDT 3C = 3PDT | 24VAC 120VAC 240VAC 12VDC 24VDC 110VDC |