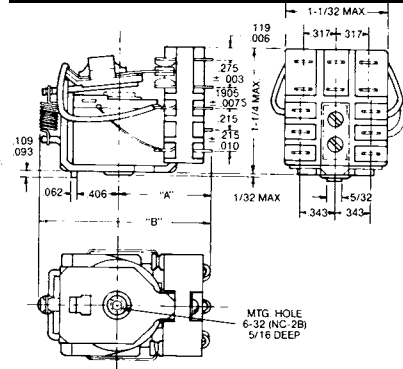
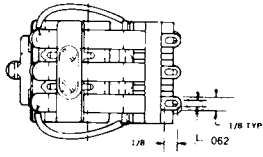
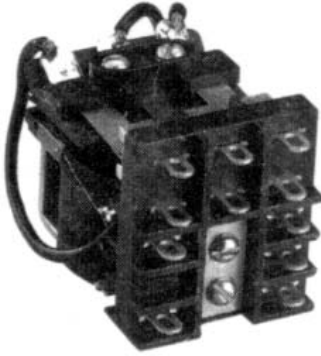




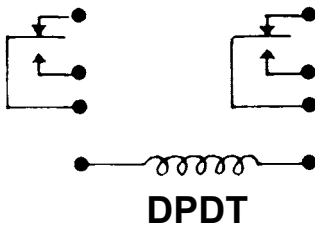
# Series 1240 / 1245 General Purpose Relay



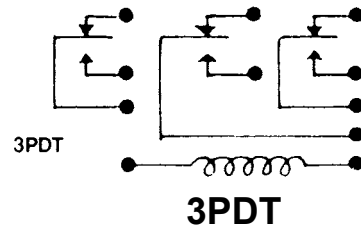
Mechanical Life: 1,000,000 Operations (Approximately).  
 Rated Load: 100,000 Operations (Approximately).  
 Contact Rating: 10 Amperes at 120 VAC non-Inductive.  
 Weight: 2.5 oz.

Part Number	Nominal Volts	Coil Res Ohms +/- 10%	Voltage Range	Power Required	UL Recognition Recognized under the Component Recognition Program of Underwriters Laboratories Inc. 
DPDT	3PDT				
1240-2C-24A	1240-3C-24A	24 VAC	55	+10%/-15%	4 VA
1240-2C-120A	1240-3C-120A	120 VAC	1095	+10%/-15%	4 VA
1240-2C-240A	1240-3C-240A	240 VAC	5000	+10%/-15%	4 VA
1245-2C-12D	1245-3C-12D	12 VDC	75	+10%/-20%	2 Watts
1245-2C-24D	1245-3C-24D	24 VDC	300	+10%/-20%	2 Watts
1225-2C-110D	1245-3C-110D	110 VDC	6500	+10%/-20%	2 Watts

## Wiring Diagrams



Double Pole - Double Throw Relays.



Triple Pole, Double Throw Relays.

Guardian part numbers look like this:

**1240 - 2C - 120A**

The first number is the model number, the middle letter/number combination refers to Double Pole - Double Throw vs. Triple Pole - Double Throw, and the third number is the power supply required for the Relay.

## Ordering Information

Model	Duty Cycle	Power Supply
1240 = AC 1245 = DC	2C = DPDT 3C = 3PDT	24VAC 120VAC 240VAC 12VDC 24VDC 110VDC