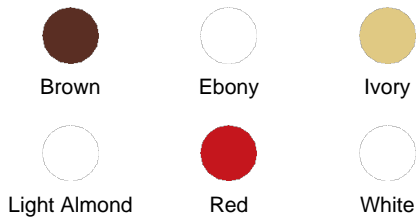




UPC Code : 078477223499

Country Of Origin : United States

Available Colors :



## 1223-2GY

20 Amp, 120/277 Volt, Toggle 3-Way AC Quiet Switch, Extra Heavy Duty Spec Grade, Self Grounding, Back & Side Wired - GRAY

Leviton's Industrial Grade AC toggle switches for extra heavy-duty applications represent top-of-the-line quality and peak performance. Leviton uses the finest materials available and the highest production standards to produce industrial switches of unmatched versatility and reliability.

### Technical Information

#### AC Horsepower Ratings

**HP Rating** : 1HP-120V 2HP-240V-277V

**Max. Amperage** : 16 Amp

#### Electrical Specifications

**Amperage** : 20 A

**Dielectric Voltage** : Withstands 1500V for 1 minute

**Endurance** : 50,000 cycles minimum

**Grounding** : Self-Grounding

**Overload UL20 Test** : 100 cycles of OL at 4.8 times rated current

**Temperature Rise** : Maximum 30 degrees C rise

**Voltage** : 120/277 VAC

#### Environmental Specifications

**Flammability** : Rated V-2 per UL 94

**Operating Temperature** : -40°C to 65°C

#### Material Specifications

**Base Material** : Thermoplastic

**Color** : Gray

**Contact Material** : Silver Alloy

**Cover Material** : Thermoplastic

**Ground Clips** : Brass

**Grounding Screw** : Brass 8-32

**Strap Material** : Steel

**Terminal Screws** : Brass 8-32

**Toggle** : Polycarbonate

#### Mechanical Specifications

**Product ID** : Ratings are permanently marked on device

**Terminal Accom.** : 14-#10 AWG back wired; #14-#12 AWG side wired

**Terminal ID** : Brass-Hot Black-Hot White-Neutral Green-Gnd

**Termination** : Back or Side Wire

**Torque Range** : 12-14 inch pounds

#### Product Features

**Body Material** : Thermoplastic

**Color** : Gray

**Device Type** : Toggle Switch

**Function** : 3-Way

**Grade** : Extra Heavy-Duty Industrial Specification Grade

**Grounding** : Self-Grounding

**HP Rating** : 1HP-120V 2HP-240V-277V

**Strap Material** : Steel

**Voltage** : 120/277 VAC

#### Standards and Certifications

**ANSI** : C-73

**CSA C22.2 No. 111** : File #152105

**NEMA** : WD-1 & WD-6

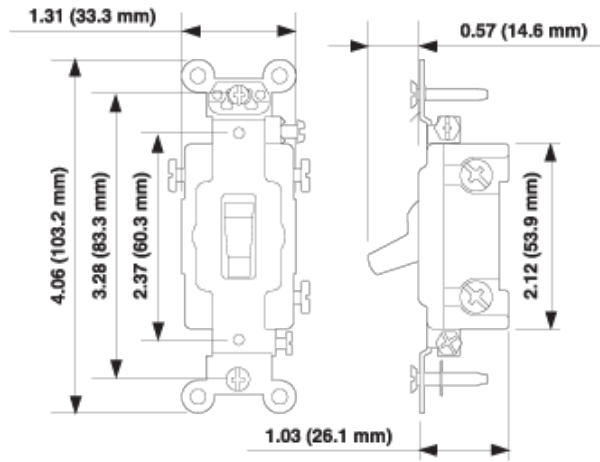
**NOM** : 057

**RoHS** : Compliant

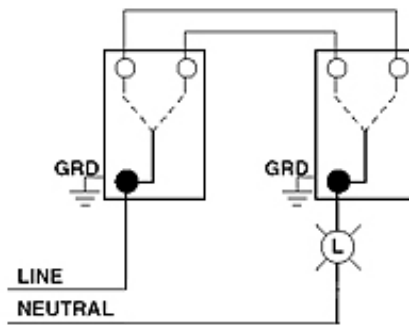
**UL Fed Spec WS896E** : File #E7458

**UL Standard** : UL 20

**Warranty** : 10-Year Limited



**3-WAY**  
**Wiring Diagram**  
**3-Way to 3-Way**



**SPECIFICATION SUBMITTAL**

JOB NAME:	CATALOG NUMBERS:	
<input type="text"/>	<input type="text"/>	<input type="text"/>
JOB NUMBER:	<input type="text"/>	<input type="text"/>

**Leviton Manufacturing Co., Inc.**  
 201 North Service Road, Melville, NY 11747  
 Telephone: +1-800-323-8920 · FAX: +1-800-832-9538 · Tech Line (8:30AM-7:30PM E.S.T. Monday-Friday):  
 +1-800-824-3005

**Leviton Manufacturing of Canada, Ltd.**  
 165 Hymus Boulevard, Pointe Claire, Quebec H9R 1E9 · Telephone: +1-800-469-7890 ·  
 FAX: +1-800-824-3005 · [www.leviton.com/canada](http://www.leviton.com/canada)

**Leviton S. de R.L. de C.V.**  
 Lago Tana 43, Mexico DF, Mexico CP 11290 · Tel.: (+52)55-5082-1040 · FAX: (+52)5386-  
 1797 · [www.leviton.com.mx](http://www.leviton.com.mx)

Visit our Website at: [www.leviton.com](http://www.leviton.com)  
 © 2018 Leviton Manufacturing Co., Inc. All Rights Reserved. Subject to change without notice.

**Leviton has a global presence.**  
 If you would like to know where your local Leviton office is located please go to:  
[www.leviton.com/international/contacts/](http://www.leviton.com/international/contacts/)

