
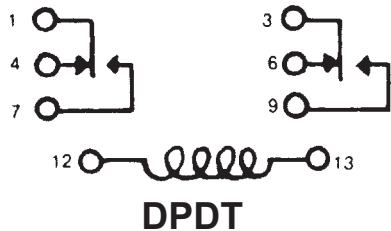


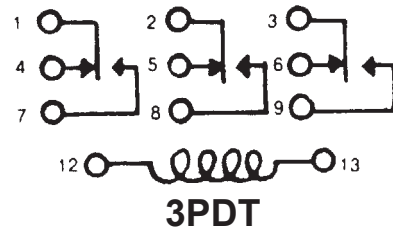
Mechanical Life: 10,000,000 Operations (Approximately).  
 Rated Load: 100,000 Operations (Approximately).  
 Contact Rating: 10 Amperes at 120 VAC non-Inductive.  
 Weight: 85 gms.

Part Number	Nominal Volts	Coil Res Ohms +/- 10%	Attract Volts	Release Volts	<b>UL Recognition</b> Recognized under the Component Recognition Program of Underwriters Laboratories Inc. 
DPDT	3PDT				
1220-2C-24A	1220-3C-24A	24 VAC	54	20.4	4.8
1220-2C-120A	1220-3C-120A	120 VAC	1110	102	24
1220-2C-240A	1220-3C-240A	240 VAC	5000	204	48
1225-2C-12D	1225-3C-12D	12 VDC	75	9.6	1.2
1225-2C-24D	1225-3C-24D	24 VDC	300	19.2	2.4
1225-2C-110D	1225-3C-110D	110 VDC	6500	88	11

**Wiring Diagrams**



Double Pole - Double Throw Relays.  
 Points 12 and 13 are for the power supply for the relay.  
 When energized, the relay contacts move from points 4 to 7, and 6 to 9.



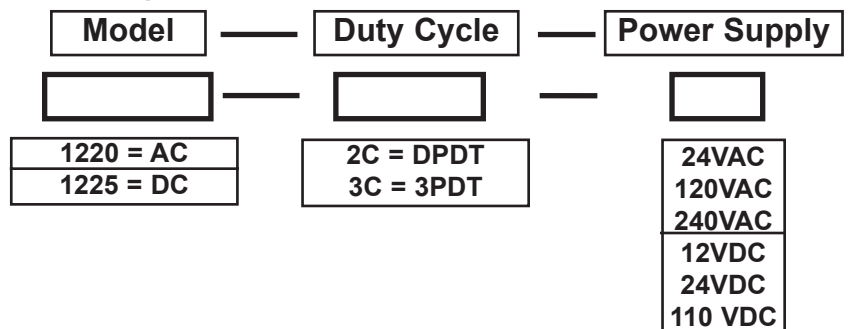
Triple Pole, Double Throw Relays.  
 Points 12 and 13 are for the Power Supply for the relay.  
 When energized, the relay contacts move from points 4 to 7, 5 to 8, and 6 to 9.

Guardian part numbers look like this:

**1220 - 2C - 120A**

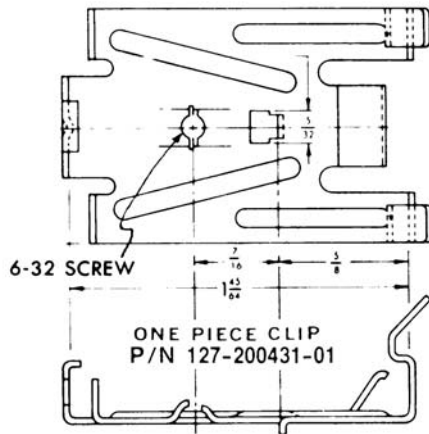
The first number is the model number, the middle letter/number combination refers to Double Pole - Double Throw vs. Triple Pole - Double Throw, and the third number is the power supply required for the Relay.

**Ordering Information**



**One Piece Clip**

**Part Number: 127-200431-01**

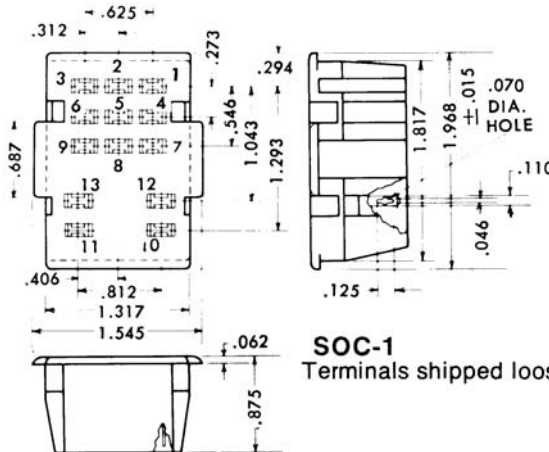


**MOUNTING VERSATILITY**

"Above Chassis" Snap Bracket provides excellent mounting capability, accurately positions relay for quick connects or soldering. Mounting uses socket housing with one-piece mounting clip as cable connector.

**Enclosed Terminal Socket SOC-1**

**Part Number: 210-050095-00**



**Open Terminal Socket SOC-2**

**Part Number: 210-050086-02**

