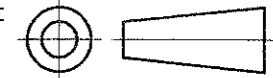


DO NOT SCALE
DIMENSIONS IN mm

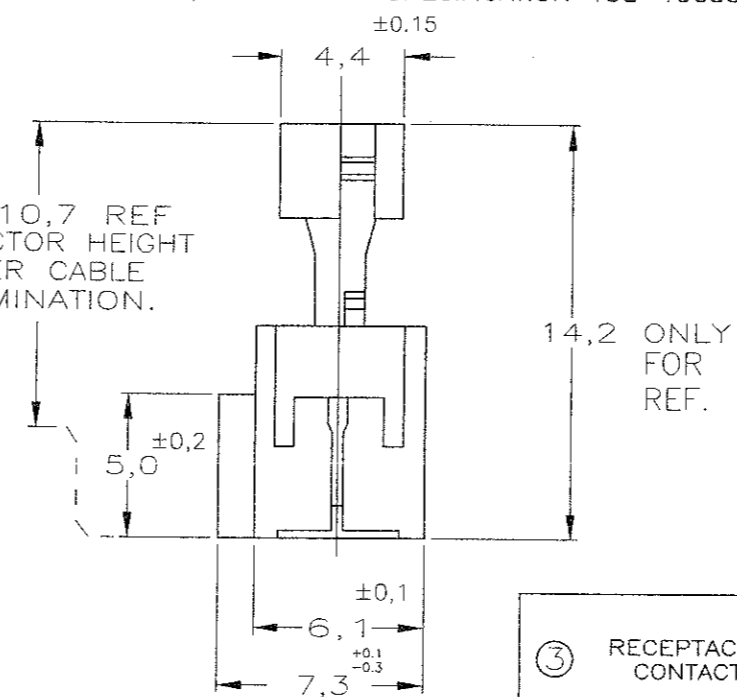
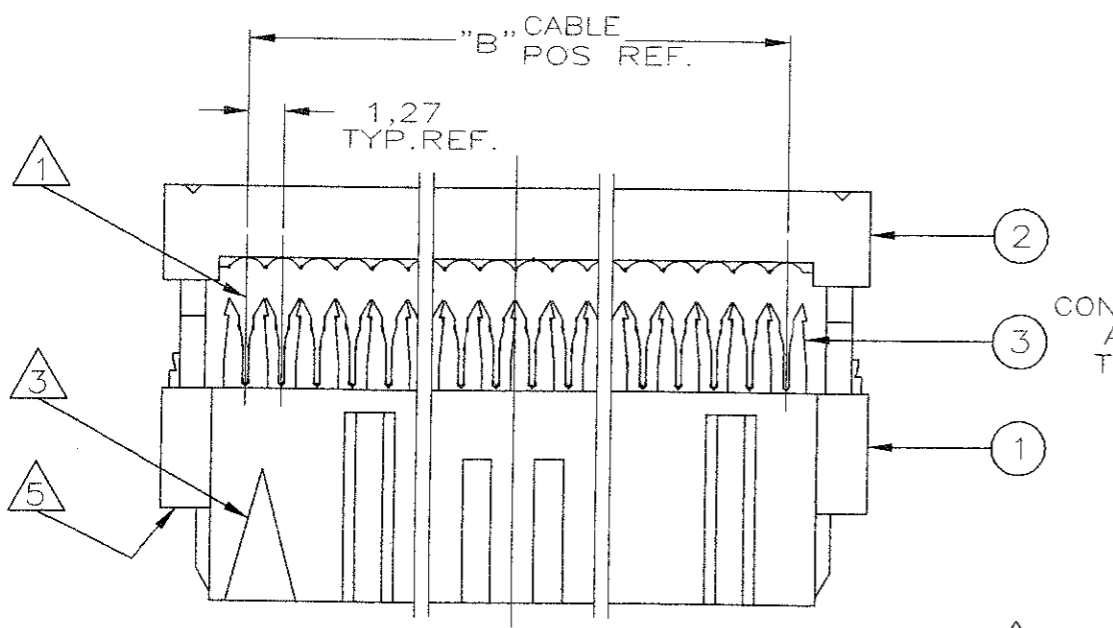
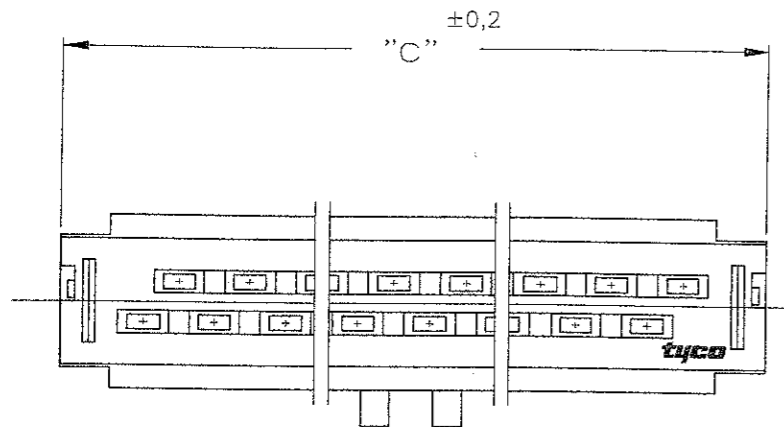
METRIC

THIRD ANGLE
PROJECTION

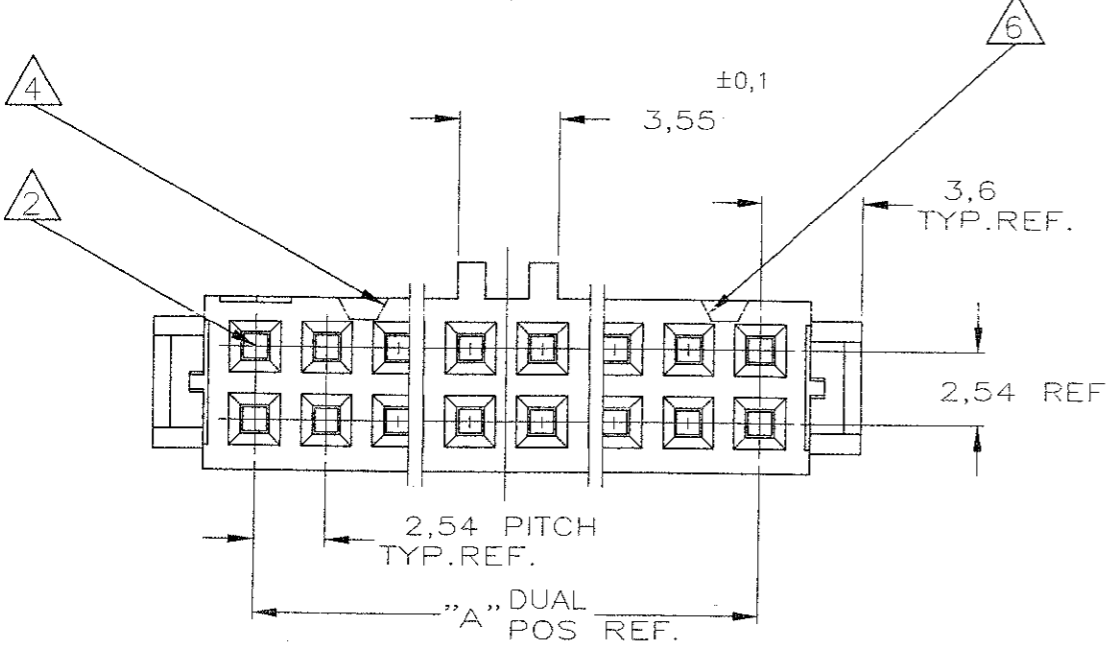


NOTES:

- ① CONNECTOR IS DESIGNED FOR FLAT RIBBON CABLE ON 1,27 CENTERS .
FOR CABLE REQUIREMENTS SEE AMP APPLICATION SPECIFICATION 114-19008.
- ② THESE RECEPTACLE CONNECTORS MATE WITH 0,64 #0,05 mm SQUARE OR ROUND POSTS
ON 2,54mm GRID.
- ③ MARK INDICATING FIRST CABLE POSITION REFERRING TO CONTACT POSITION.
- ④ THERE IS NO POLARIZATION-SLOT AT THIS END IN 4, 6, 8, 10 AND 14 POS CONNECTORS.
- ⑤ THESE CONNECTORS CAN BE USED IN CONJUNCTION WITH STRAIN-RELIEF COVERS
OF PARTNR: 100103.
- ⑥ THERE IS NO POLARIZATION-SLOT AT THIS END IN 4, 6, AND 8 POS CONNECTORS.
- ⑦ PRODUCT SPECIFICATION 108-19033.



DIM."C"	"B" CABLE POS.	"A" DUAL POS.	PARTNUMBER
85,9	64	32	6-215882-4
80,8	60	30	6-215882-0
68,1	50	25	5-215882-0
60,5	44	22	4-215882-4
55,4	40	20	4-215882-0
47,8	34	17	3-215882-4
42,7	30	15	3-215882-0
37,6	26	13	2-215882-6
30,0	20	10	2-215882-0
24,9	16	8	1-215882-6
22,4	14	7	1-215882-4
17,3	10	5	1-215882-0
14,8	8	4	0-215882-8
12,2	6	3	0-215882-6
9,7	4	2	0-215882-4



③ RECEPTACLE CONTACT	PHOSPHORBRONZE Cu Sn4	AT CONTACT-PLACE: 0,8 GOLD AT WIRING END: 2,5 TIN ENTIRE UNDERCOATING: 1,27 NICKEL
② COVER	THERMOPLASTIC POLYESTER GF UL 94 -V0	GREY RAL 7032 (ONLY FOR REF.)
① HOUSING		

COMPONENT NAME	MATERIAL	PLATING / COLOUR
CUSTOMER DRAWING FOR REFERENCE ONLY WILL NOT BE UPDATED		
© COPYRIGHT 19 - BY AMP HOLLAND B.V. ALL INTERNATIONAL RIGHTS RESERVED. AMP PRODUCTS MAY BE COVERED BY U.S. AND FOREIGN AND/OR PATENTS PENDING. THIS DRAWING IS UNPUBLISHED RELEASED FOR PUBLICATION _____, 19 _____		
tyco Electronics		AMP ITALIA S.p.A Corso F.LLI Cervi, 15 COLLEGNO (TORINO)
E1 ET00-0093-03	SS	23-05-03
E H-9454	JvdH	R.V. 10-01-92
LTR. REVISION RECORD	DR. CHK. DATE	
DR.: W.R.VERBEET	CHK.: R.VERSTIJNEN	APP.: L.V.SOEST
DATE: 02-02-88	DATE: 03-02-88	DATE: 03-02-88
DWG.No. C-215882		SIZE A3
		SHEET 1 OF 1
		REV.LTR. E1