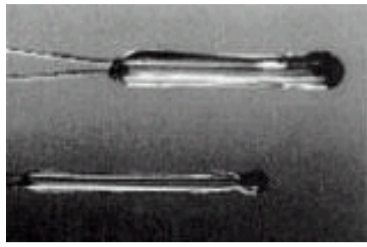




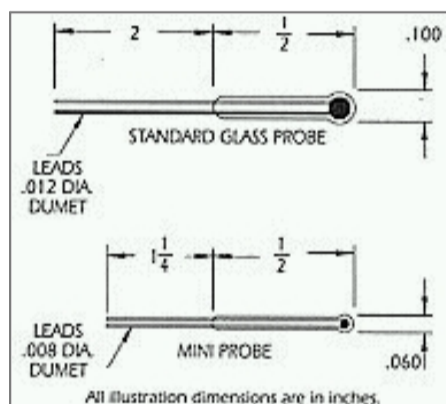
Glass Probes



Honeywell Glass Probes are shock resistant, rugged, glass encapsulated units which are ideally suited for immersion in fluid and convenient mounting in air sensor assemblies. They are extremely reliable and stable and are usable in a wide variety of applications.

Features

- Hermetically sealed in glass
- High reliability
- Available in tolerances from $\pm 1\%$ to $\pm 25\%$
- Max. temperature 300 °C
- Rugged glass encapsulation
- D.C. 0.7 mW/°C min.
- T.C. 10 s max.



Quick Links

- [Products & Applications](#)
- [Contact Us](#)
- [Request Free Literature](#)

Standard Glass Probe* (20% Tolerance @ 25 °C)			
Resistance (Ohm Catalog Listing (R Ratio R-T Curve			
1,000	121-102EAJQ01	7.04	11
2,000	121-202EAJQ01	7.04	11
5,000	121-502EAJQ01	7.04	11
10,000	121-103FAJQ01	7.59	12
50,000	121-503JAJQ01	9.53	14
100,000	121-104KAJ-Q01	10.45	15
200,000	121-204KAJ-Q01	10.45	15
500,000	121-504NAJQ01	11.89	4
1 M	121-105PAJQ01	13.12	5
10 M	121-106QAJQ01	15.65	6

D.C. 1 mW/°C min.; T.C. 22 s max.

Mini-Probes* (20% Tolerance @ 25 °C)			
Catalog Listing			
Resistance (Ohm (D)		Ratio	R-T Curve
1,000	120-102EAJQ01	7.04	11
2,000	120-202EAJQ01	7.04	11
10,000	120-103FAJQ01	7.59	12
50,000	120-503JAJQ01	9.53	14
100,000	120-104KAJ-Q01	10.45	15

D.C. 0.7 mW/°C min.; T.C. 10 s. max.

* Also available in higher tolerances.

(D) = Distributor item.

Note: Other nonstandard glass probes are available in lengths of 0.25 in, 0.75 in, 1.00 in, 1.25 in, 1.5 in, 1.75 in, 2.0 in and diameters as small as 0.020 in.