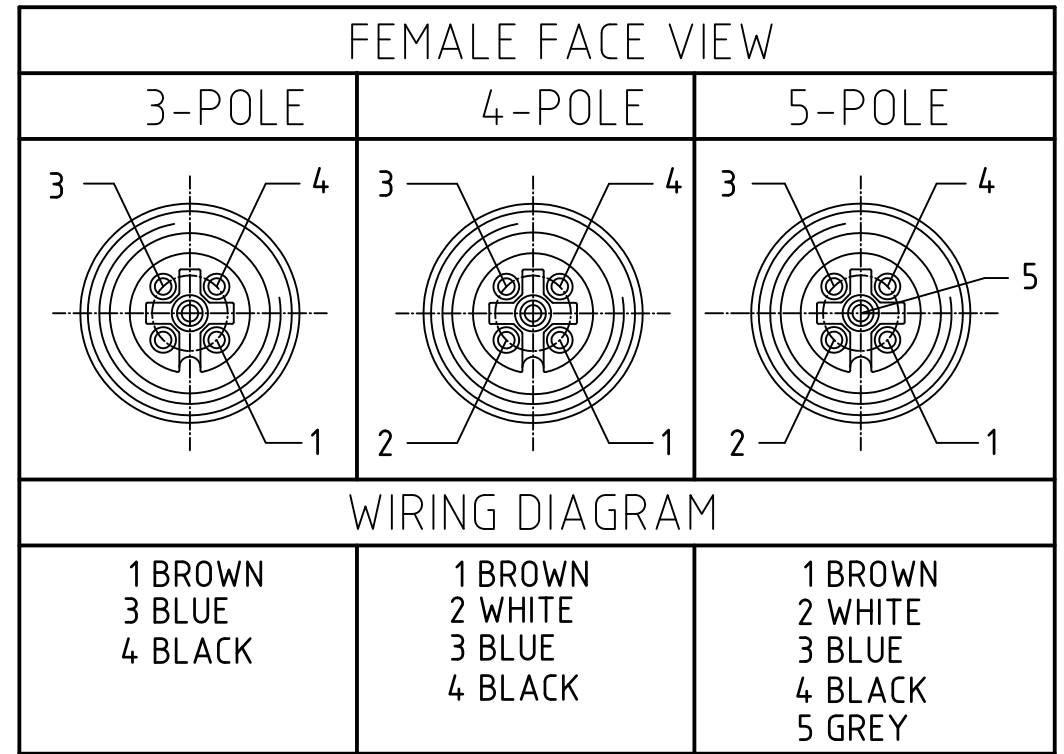


**CONNECTOR SPECIFICATION:**

VOLTAGE RATING	250 VAC/VDC
AMPERAGE RATING	max. 4 AMPS
PROTECTION	IP67
OPERATING TEMPERATURE	-30°C TO 80°C
UL CERTIFICATIONS	UL STYLE 2464
CSA CERTIFICATIONS	I/II A/B 80°/300V

ITEM	COMPONENT	MATERIAL	FINISH
6	O-RING	VITON	RED
5	COUPLER	BRASS	NICKEL PLATED
4	PIN CONTACT	COPPER ALLOY	GOLD OVER NICKEL
3	INSERT	NYLON	BLACK
2	OVERMOLD	POLYURETHANE (PUR)	YELLOW
1	CABLE- 22/3-5 (COPPER STRANDING) 3/4/5 CONDUCT. 300V	JACKET: PVC	JACKET: BLACK



DESCRIPTION EC NO: WEU2010-0283 DRWN: LSTEMMLE 2010/01/20 CHKD: NS APPR: NSTAUDIG 2010/01/26	QUALITY SYMBOLS ▽ = 0 ▽ = 0	GENERAL TOLERANCES (UNLESS SPECIFIED)		DIMENSION STYLE IN/MM	SCALE 2:1	DESIGN UNITS METRIC	THIRD ANGLE PROJECTION	
		mm	INCH	DRAWN BY	DATE	MICRO-CHANGE CORDSET 3/4/5-POL FE STR SE 22/3-5 PVC BLACK CABLE		
		4 PLACES ±---	±---	---	---			
		3 PLACES ±---	±---	---	---	MOLEX INCORPORATED		
2 PLACES ±---	±.01	---	---	APPROVED BY NSTAUDIG 2010/01/25	MATERIAL NO. SD-120065-038	SHEET NO. 1 OF 1		
1 PLACE ±0.3	±---	---	---	THIS DRAWING CONTAINS INFORMATION THAT IS PROPRIETARY TO MOLEX INCORPORATED AND SHOULD NOT BE USED WITHOUT WRITTEN PERMISSION				
DRAFT WHERE APPLICABLE MUST REMAIN WITHIN DIMENSIONS		SEE TABLE SHEET 2		SIZE A3				

10 9 8 7 6 5 4 3 2 1

POL	MATERIAL NUMBER	ENGINEERING NUMBER	FINISHED LENGTH
3	1200060001	803000E03M020	6.56' +3.50" -0 [2.0M +88.9 -0]

POL	MATERIAL NUMBER	ENGINEERING NUMBER	FINISHED LENGTH
4	1200060014	804000E03M020	6.56' +3.50" -0 [2.0M +88.9 -0]

POL	MATERIAL NUMBER	ENGINEERING NUMBER	FINISHED LENGTH
5	1200060634	805000E03M020	6.56' +3.5" -0 (2.0M +89mm -0)

DESCRIPTION EC NO: WEU2010-0283 DRWN: LSTEMMLE 2010/01/20 CH'KD: NS APPR: NSTAUDIG 2010/01/26	QUALITY SYMBOLS	GENERAL TOLERANCES (UNLESS SPECIFIED)		DIMENSION STYLE		SCALE	DESIGN UNITS	THIRD ANGLE PROJECTION	
	▼ = 0 □ = 0	mm	INCH	IN/MM		2:1	METRIC		
		4 PLACES ±---	±---	DRAWN BY		DATE	MICRO-CHANGE CORDSET 3/4/5-POL FE STR SE 22/3-5 PVC BLACK CABLE		
		3 PLACES ±---	±---	CHECKED BY		DATE			
		2 PLACES ±---	±.01	RE		2010/01/21			
	1 PLACE ±0.3	±---	APPROVED BY		DATE	MOLEX INCORPORATED			
	ANGULAR ± --- °		NSTAUDIG		2010/01/25				
	DRAFT WHERE APPLICABLE MUST REMAIN WITHIN DIMENSIONS		MATERIAL NO.		SEE TABLE	DOCUMENT NO.	SD-120065-038	SHEET NO.	
1	REV			SIZE	THIS DRAWING CONTAINS INFORMATION THAT IS PROPRIETARY TO MOLEX INCORPORATED AND SHOULD NOT BE USED WITHOUT WRITTEN PERMISSION				
				A3	1 OF 1				

10 9 8 7 6 5 4 3 2 1