

**MICRO SWITCH**

FREEDPORT ILLINOIS U S A  
A DIVISION OF HONEYWELL

FED. MFG. CODE 91929

**SWITCH-TOGGLE**

CATALOG LISTING  
**11TL146 SERIES**

**CHART 1**

CATALOG LISTING

CIRCUIT MADE WITH TOGGLE LEVER IN

KEYWAY SIDE (1-2)	CENTER (1-2)	OPPOSITE KEYWAY (2-3)
ON	OFF	ON
OFF	NONE	ON
ON	NONE	ON
NONE	OFF	ON
NONE	ON	ON
MOM OFF	NONE	ON
MOM ON	OFF	ON
MOM ON	NONE	OFF
MOM ON	OFF	MOM ON
MOM ON	NONE	ON
NONE	ON	MOM ON
MOM ON	OFF	NONE

CURRENT CAPACITY (AMPS)

RESISTIVE LOAD DC VOLTS					LAMP LOAD		INDUCTIVE LOAD	
28	125	250	125	250	28 VDC	125 VAC	28 VDC	125 VAC
20	.75	.5	15	6	5	3	15	10
15	.75	.5	15	6	4	2	10	7

THIS DRAWING COVERS A PROPRIETARY ITEM AND IS THE PROPERTY OF MICRO SWITCH, A DIVISION OF HONEYWELL. THIS DRAWING IS NOT TO BE COPIED OR USED WITHOUT THE APPROVAL OF MICRO SWITCH.

11TL146 SERIES CHART 1

M

DRAWING NUMBER

3

ISSUE

REVISIONS

A	PR-10813
	G J W
	23 DEC 81
B	CO-59379
	D A W
	16 MAY 86

CHECK

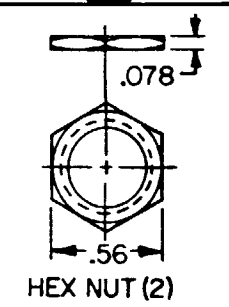
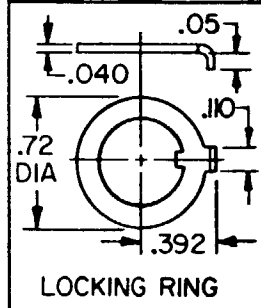
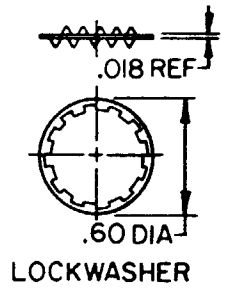
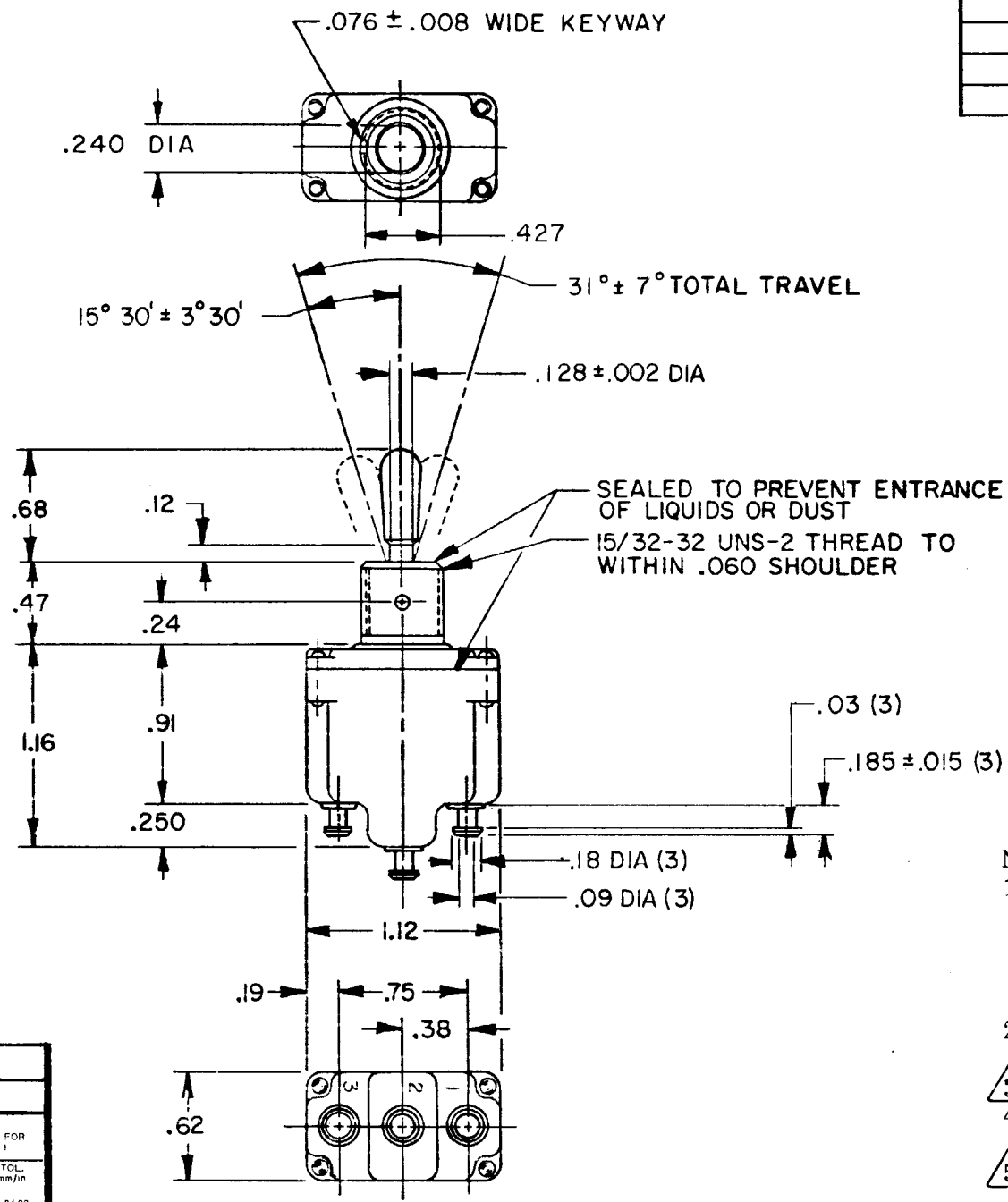
CHECK

CHECK

G J W

DRAWN

FO-52851-A



**NOTES**

- SWITCH WILL WITHSTAND:  
 A - 300°F FOR 55 MINUTES MAX CONTINUOUS - CUMULATIVE EXPOSURE 50 HOURS MAX  
 B - 350°F FOR 5 MINUTES MAX CONTINUOUS - CUMULATIVE EXPOSURE 6 HOURS MAX
- CIRCUIT DESIGNATION, MICRO SWITCH CATALOG LISTING. STAMPED ON SIDE OF SWITCH
- FURNISHED UNASSEMBLED
- FOR TERMINAL COVER, SEE MICRO SWITCH CATALOG LISTING 5PA7
- APPLIES ONLY TO "ON" AND "MOMENTARY ON" POSITIONS

SCALE FULL

DO NOT SCALE PRINT

TOLERANCES  
APPLY TO DESIGN UNITS. CONVERSIONS ARE ONLY FOR REFERENCE. UNLESS NOTED, TOLERANCES ARE:

DIM.	TOL.	DIM.	TOL.
mm	mm/in	in	mm/in
NO PLACES	X	1/64	
ONE PLACE	X,X	0.4/018	X,X 0.8/03
TWO PLACES	X,XX	0.15/006	X,XX 0.38/015
THREE PLACES	X,XXX		X,XXX 0.13/005
ANGLES			

DESIGN UNITS:  SI METRIC  US CUSTOMARY

THIRD ANGLE PROJECTION

WEIGHT