

# MICRO SWITCH

FREEDPORT, ILLINOIS, U.S.A.  
A DIVISION OF HONEYWELL  
FED. MFG. CODE 91929

## SWITCH - TOGGLE

### CATALOG LISTING 11TL1 SERIES CHART 1

MS NUMBER

CATALOG LISTING

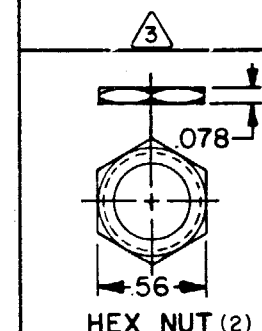
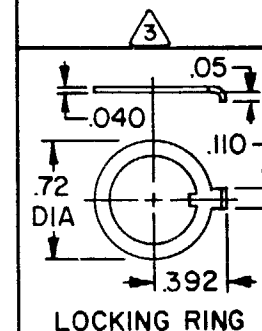
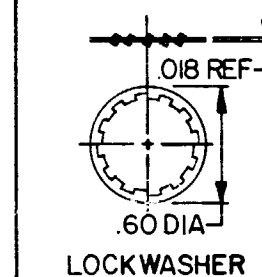
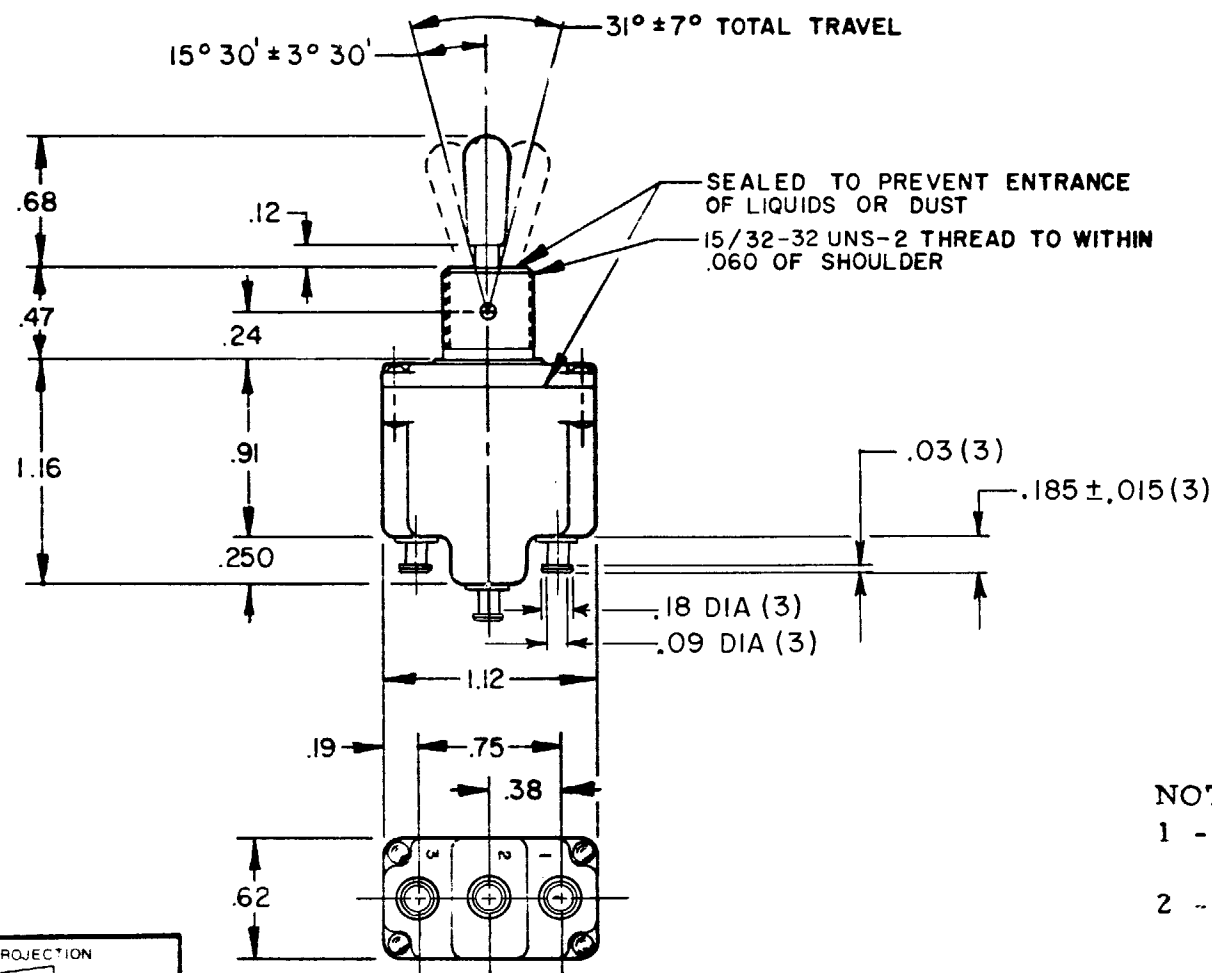
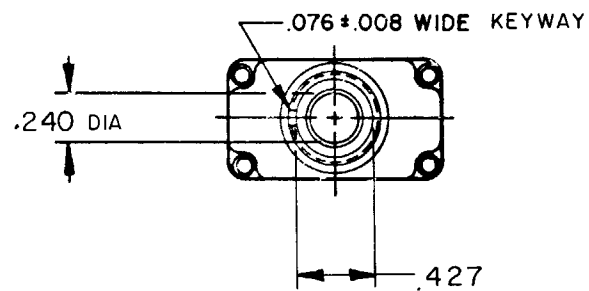
CIRCUIT MADE WITH TOGGLE LEVER IN  
KEYWAY SIDE (1-2) CENTER (1-2) OPPOSITE KEYWAY (2-3)

#### MILITARY RATING (AMPS)

RESISTIVE LOAD DC VOLTS			LAMP LOAD AC VOLTS		INDUCTIVE LOAD	
28	125	250	28 VDC	125 VAC	28 VDC	125 VAC

THIS DRAWING COVERS A PROPRIETARY ITEM AND IS THE PROPERTY OF MICRO SWITCH, A DIVISION OF HONEYWELL. THIS DRAWING IS NOT TO BE COPIED OR USED WITHOUT THE APPROVAL OF MICRO SWITCH.

MS27734-21	11TL1-1	ON	OFF	ON	20	.75	.5	15	6	5	3	15	10
MS27734-22	11TL1-2	OFF	NONE	ON									
MS27734-23	11TL1-3	ON	NONE	ON									
MS27734-24	11TL1-21	NONE	OFF	ON									
MS27734-29	11TL1-4	MOM OFF	NONE	ON	15	.75	.5	15	6	4	2	10	7
MS27734-31	11TL1-5	MOM ON	OFF	ON									
MS27734-30	11TL1-6	MOM ON	NONE	OFF									
MS27734-27	11TL1-7	MOM ON	OFF	MOM ON									
MS27734-26	11TL1-8	MOM ON	NONE	ON									
MS27734-32	11TL1-51	NONE	ON	MOM ON									
MS27734-28	11TL1-61	MOM ON	OFF	NONE									



#### NOTES

- SWITCHES ARE CAPABLE OF WITHSTANDING A TEMPERATURE OF 160°F CONTINUOUSLY AT FULL RATED LOAD
- CIRCUIT DESIGNATION, MICRO SWITCH CATALOG LISTING, DATE CODE, UL RATING AND MS NUMBER IDENTIFIED ON SIDE OF SWITCH
- FURNISHED UNASSEMBLED
- FOR TERMINAL COVER, SEE MICRO SWITCH CATALOG LISTING 5PA7
- APPLIES ONLY TO "ON" AND "MOMENTARY ON" POSITIONS
- THESE SWITCHES ARE QUALIFIED UNDER MIL-S-3950

CATALOG LISTING  
11TL1 SERIES CHART 1  
PAGE 1 OF 1

ISSUE  
13

REVISIONS  
A PR5381  
20 NOV 75  
B C037951  
7 DEC 76  
C CO-49070  
16 MAY 81  
D CO-49791  
16 JUL 81  
E C080496  
16 NOV 81  
F CO-56057  
28 SEPT 84  
G CO-56074  
16 NOV 84  
H C092297  
13 FEB 98  
J CO-89427  
24 NOV 99

FORMTEK  
DRAWN  
C J H  
20 NOV 75

THIRD ANGLE PROJECTION

SCALE FULL

DO NOT SCALE PRINT

TOLERANCES  
APPLY TO DESIGN UNITS. CONVERSIONS ARE ONLY FOR REFERENCE. UNLESS NOTED, TOLERANCES ARE 2

DIM.	TOL.	DIM.	TOL.
	mm/in		mm/in
NO PLACES	X	1/64	0.01/0.001
ONE PLACE	X,X	0.4/0.016	X,X 0.08/0.003
TWO PLACES	X,XX	0.15/0.006	X,XX 0.38/0.015
THREE PLACES	X,XXX	0.15/0.006	X,XXX 0.15/0.006

DESIGN UNITS  SI METRIC  US CUSTOMARY

RAW MATERIAL - COMMERCIAL STANDARD  
MICRO SWITCH STANDARDS APPLY  
DIMENSIONS ARE TO BE MET BEFORE  
PROTECTIVE COATINGS ARE APPLIED

WEIGHT

15A-125, 250 OR 277VAC  
1/2HP-125VAC; 1HP-250, 277VAC  
5A-125VAC "L" CODE L191

10A-125, 250, 277VAC  
1/4HP-125VAC; 1/2HP-250, 277VAC  
3A-125VAC "L" L192