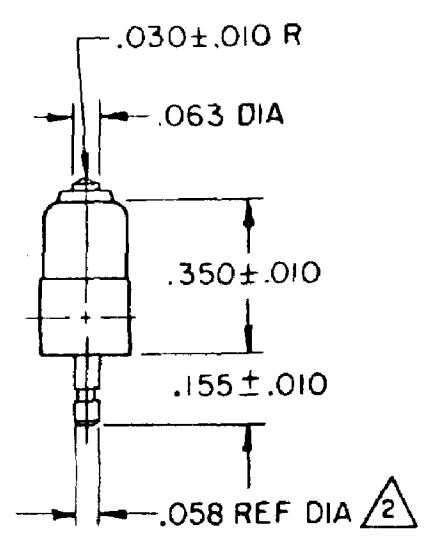
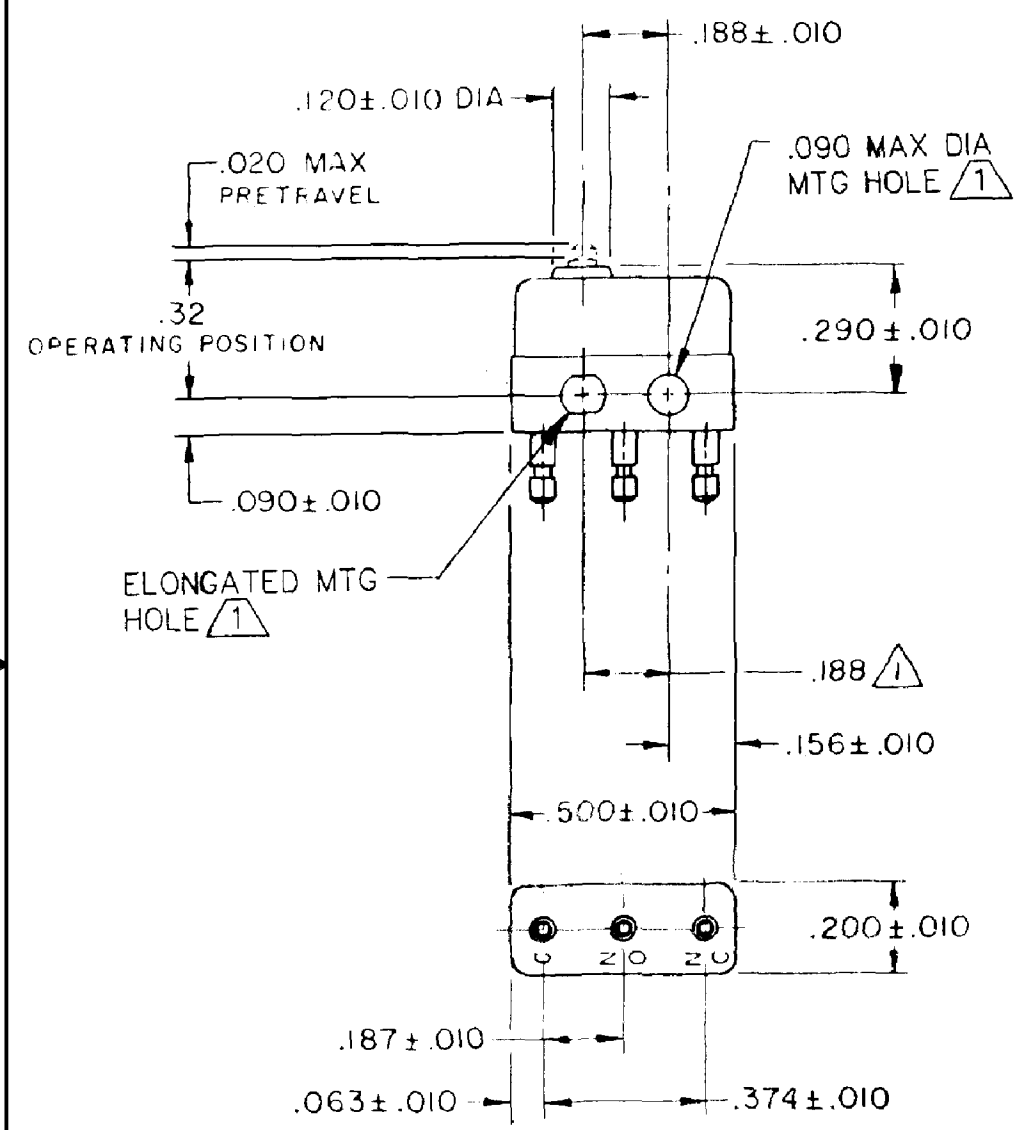
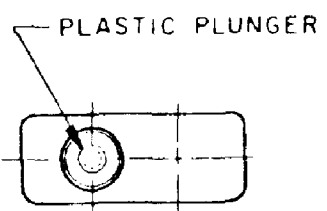


HONEYWELL  
PART NUMBER  
11SX21-H58  
PRODUCT CODE  
VDJ1995

REV	DOCUMENT	CHANGED BY	CHECK
9	0038448	VS 28APR08	BLR



- NOTES**
- ① MOUNTING HOLES WILL ACCEPT PINS OR SCREWS OF .087 MAX DIA ON .188 ± .002 CENTERS
  - ② PLATED TERMINALS WILL ACCEPT "AMP INC" .058 DIA PIN RECEPTACLES.
  - ③ SWITCH WILL WITHSTAND TEMPERATURE OF 250° F

RELEASE NO.	PR-4206
REPLACES	

**CHARACTERISTICS**

OPERATING FORCE - - - 2.5 - 5 OZ

RELEASE FORCE - - - - - 1 OZ MIN

DIFFERENTIAL TRAVEL - - - .002 MAX

OVERTRAVEL - - - - - .004 MIN

**ELECTRICAL DATA**

CONTACT ARRANGEMENT  
SPDT

	28 VOLTS DC RATING		115 VOLTS AC, 60 CPS
	SEA LEVEL	50,000 FT	SEA LEVEL
INDUCTIVE	3 AMP	2 AMP	5 AMP
RESISTIVE	5 AMP	4 AMP	5 AMP

APPROVALS

KEMA, CE	5A 250 V - T125	5E4	UL	CE
UL, CSA	5A 250 VAC	UL	UL	UL

DESIGN UNITS: INCH

TOLERANCES UNLESS NOTED:

NO PLACE	X	±	
ONE PLACE	.X	±	0.030
TWO PLACE	.XX	±	0.015
THREE PLACE	.XXX	±	0.005
FOUR PLACE	.XXXX	±	
ANGLES		±	

THIRD ANGLE PROJECTION

DRAWN	SPK	08FEB08
CHECK	RJ	08FEB08
THIS DRAWING COVERS A PROPRIETARY ITEM AND IS THE PROPERTY OF HONEYWELL. THIS DRAWING IS NOT TO BE COPIED OR USED WITHOUT THE PERMISSION OF HONEYWELL.		
INTERPRET PER ANSI Y14.5M-1982 OTHER HONEYWELL ENGINEERING STANDARDS MAY APPLY		
RASTER		

**Honeywell**

TITLE: SWITCH - BASIC

SIZE	TYPE	DRAWING NAME	REV
B	I	11SX21-H58	9
SCALE	-	WEIGHT: .003 LB MAX	SHEET 1 OF 1