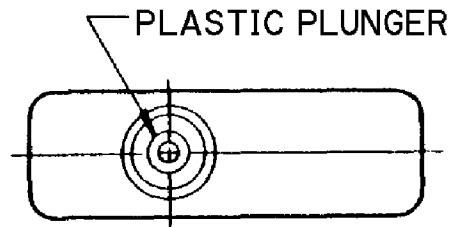
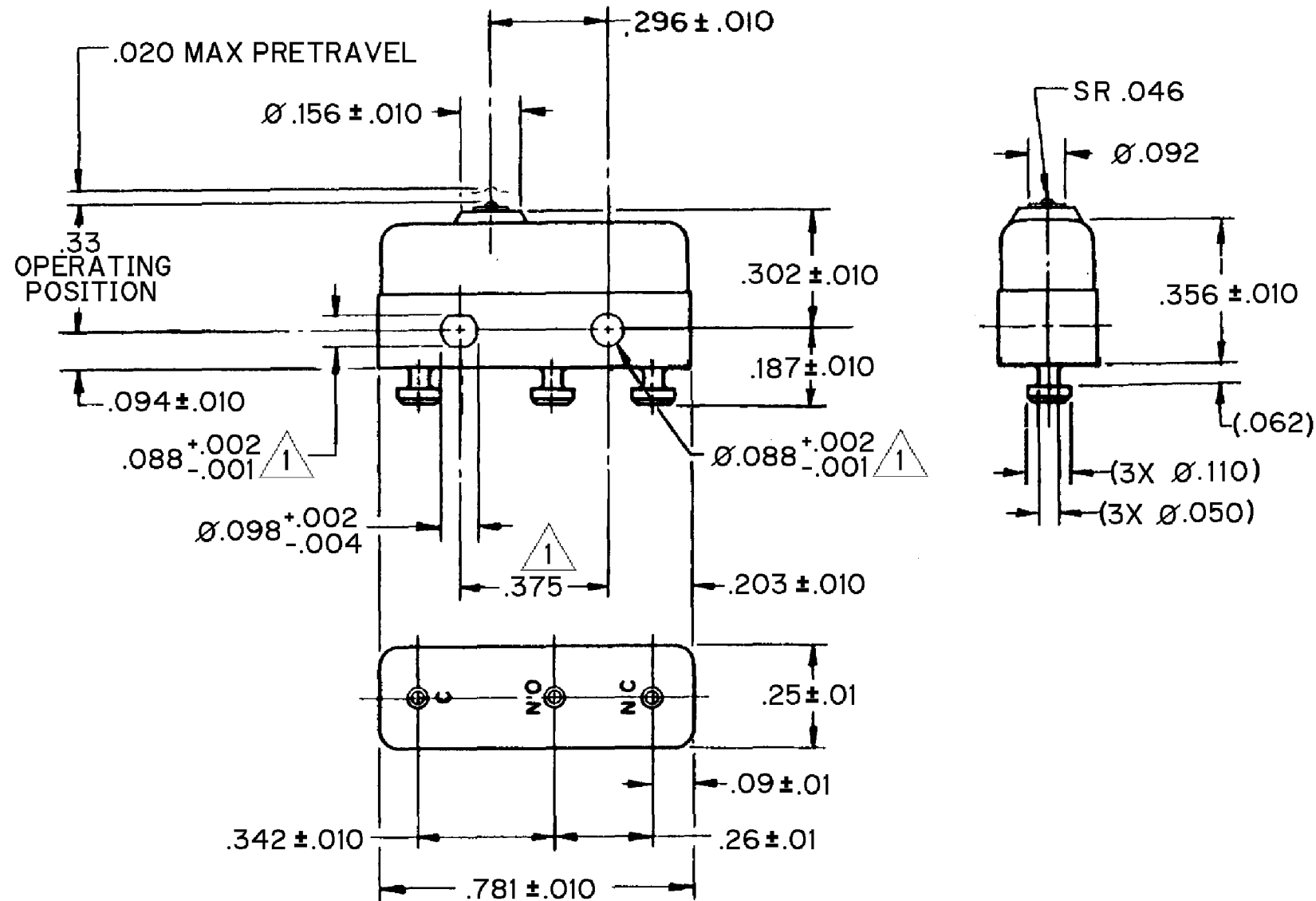


HONEYWELL PART NUMBER
11SM861-T
PRODUCT CODE TWY2295

REV	DOCUMENT	CHANGED BY	CHECK
3	0038224	KVS 22APR08	ASD



PLASTIC PLUNGER



NOTES

- 1 MOUNTING HOLES WILL ACCEPT PINS OR SCREWS OF Ø.087 MAX ON .375 ±.002 CENTERS
- 2 TERMINALS ARE PLATED FOR SOLDERING

RELEASE NO. PR - 23655

REPLACES -

CHARACTERISTICS	
OPERATING FORCE	- - - - 2 - 7 OZ
RELEASE FORCE	- - - - 1 OZ MIN
DIFFERENTIAL TRAVEL	- - .004 MAX
OVERTRAVEL	- - - - .005 MIN

ELECTRICAL DATA		
CONTACT ARRANGEMENT SPDT		
30 VOLTS DC RATING		
	SEA LEVEL	50,000 FT
INDUCTIVE	3 AMP	2.5 AMP
RESISTIVE	5 AMP	5 AMP
MAXIMUM INRUSH 24 AMP		
APPROVALS	KEMA, CE	5A, 250V ~ T85 1E4
	UL, CSA	5A, 250 VAC ~

DESIGN UNITS: INCH
TOLERANCES UNLESS NOTED:
NO PLACE X ±
ONE PLACE .X ±
TWO PLACE .XX ±
THREE PLACE .XXX ±
FOUR PLACE .XXXX ±
ANGLES ±
0.030
0.015
0.005
THIRD ANGLE PROJECTION

DRAWN	VK	27 NOV 07
CHECK	RJ	27 NOV 07
THIS DRAWING COVERS A PROPRIETARY ITEM AND IS THE PROPERTY OF HONEYWELL. THIS DRAWING IS NOT TO BE COPIED OR USED WITHOUT THE PERMISSION OF HONEYWELL.		
INTERPRET PER ANSI Y14.5M-1982 OTHER HONEYWELL ENGINEERING STANDARDS MAY APPLY		
RASTER		

Honeywell			
TITLE SWITCH - BASIC			
SIZE	TYPE	DRAWING NAME	REV
B	I	11SM861-T	3
SCALE	-	WEIGHT .006 LB MAX	SHEET 1 OF 1