

HONEYWELL PART NUMBER
11SM77-H58
PRODUCT CODE
TWT7733

REV	DOCUMENT	CHANGED BY	CHECK
3	0038091	VS 28APR08	BLR

B

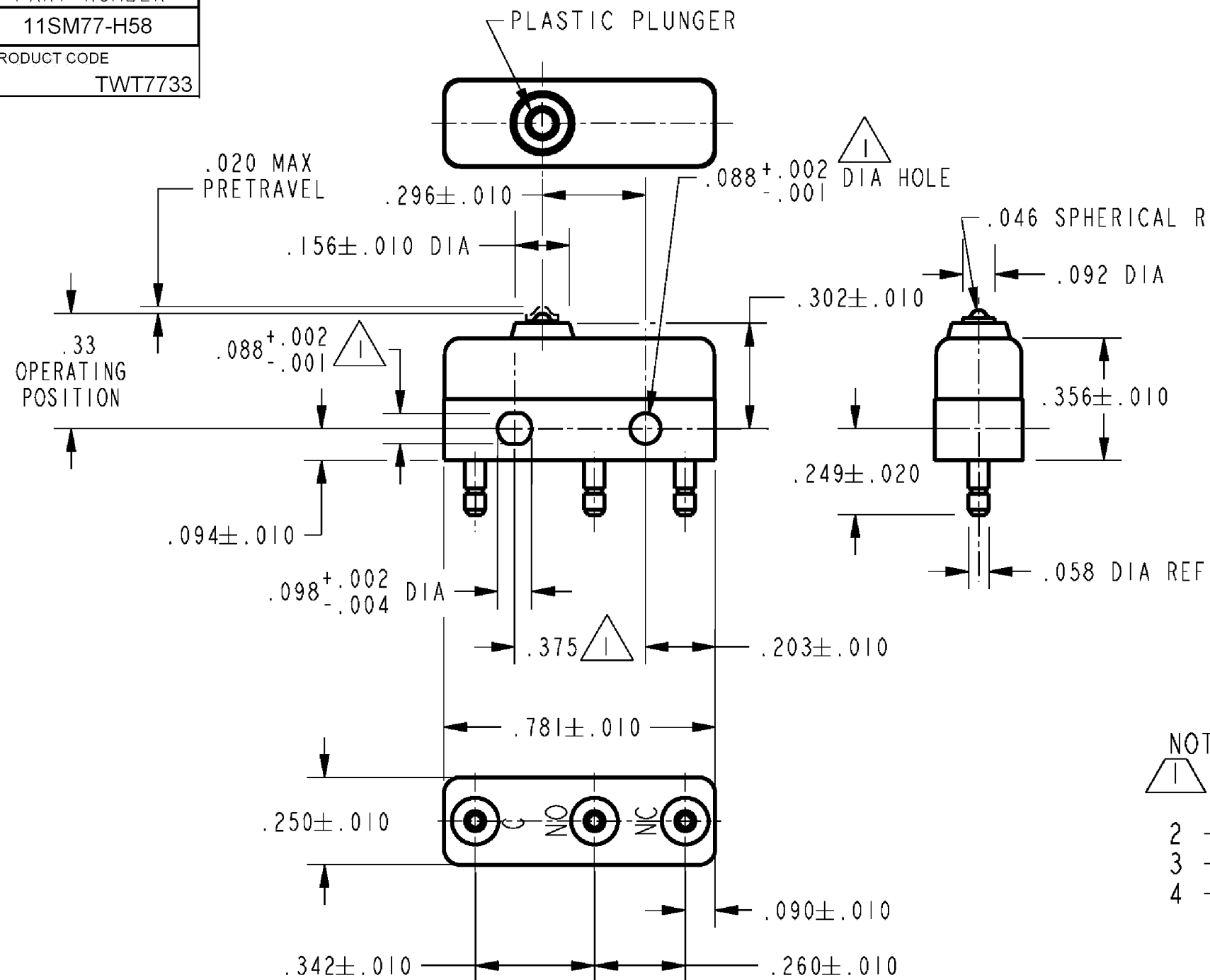
B

A

A

A

A



- NOTES**
- 1 MOUNTING HOLES WILL ACCEPT PINS OR SCREWS OF .087 MAX DIA ON .375±.002 CENTERS
  - 2 - TERMINALS ARE PLATED FOR SOLDERING
  - 3 - MATING CONTACT SURFACES ARE 24K SOLID GOLD OVERLAY
  - 4 - SWITCH WILL WITHSTAND TEMPERATURE OF 250°F

RELEASE NO.	PR-17309
REPLACES	-

CHARACTERISTICS	
OPERATING FORCE	3-5 OZ
RELEASE FORCE	1 OZ MIN
DIFFERENTIAL TRAVEL	.004 MAX
OVERTRAVEL	.005 MIN

ELECTRICAL DATA		
CONTACT ARRANGEMENT SPDT		
30 VOLTS DC RATING		
	SEA LEVEL	50,000 FT
INDUCTIVE	1/2 AMP	1/2 AMP
RESISTIVE	1 AMP	1 AMP
MAXIMUM INRUSH 2 AMP		
APPROVALS	KEMA, CE	1A, 250V ~ T85 1E4
	UL, CSA	1A, 125 VAC

DESIGN UNITS: INCH
TOLERANCES UNLESS NOTED:
NO PLACE X ±
ONE PLACE .X ±
TWO PLACE .XX ±
THREE PLACE .XXX ±
FOUR PLACE .XXXX ±
ANGLES ±
THIRD ANGLE PROJECTION

DRAWN	VK	27 NOV 07
CHECK	RJ	27 NOV 07
THIS DRAWING COVERS A PROPRIETARY ITEM AND IS THE PROPERTY OF HONEYWELL. THIS DRAWING IS NOT TO BE COPIED OR USED WITHOUT THE PERMISSION OF HONEYWELL.		
INTERPRET PER ANSI Y14.5M-1982 OTHER HONEYWELL ENGINEERING STANDARDS MAY APPLY		
RASTER		

<b>Honeywell</b>			
TITLE <b>SWITCH - BASIC</b>			
SIZE	TYPE	DRAWING NAME	REV
<b>B</b>	<b>I</b>	<b>11SM77-H58</b>	<b>3</b>
SCALE	-	WEIGHT .006 LB MAX	SHEET 1 OF 1