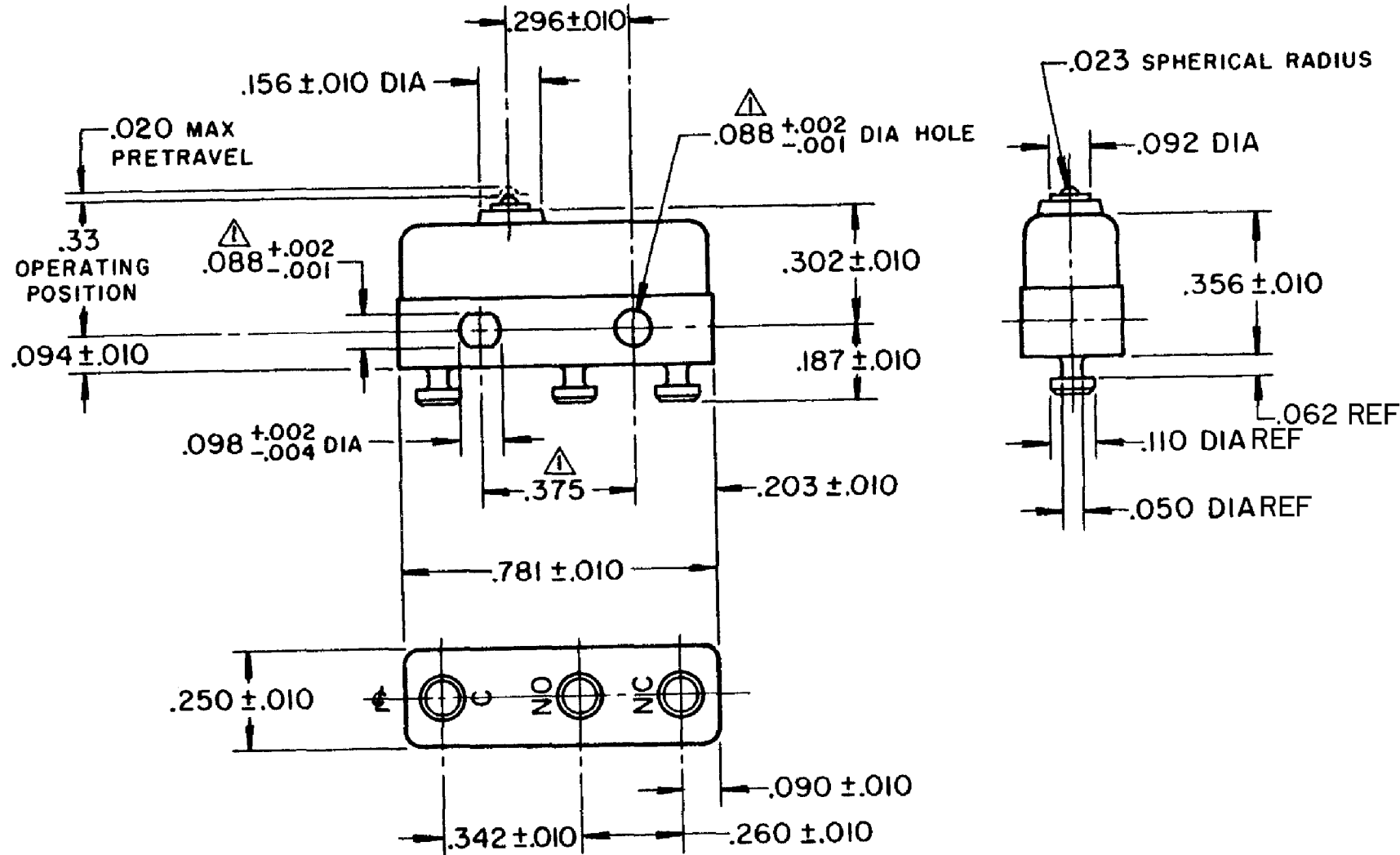
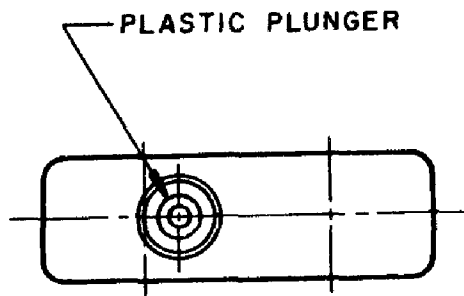


HONEYWELL PART NUMBER
11SM76-T
PRODUCT CODE TWT7660
JG-80285

REV	DOCUMENT	CHANGED BY	CHECK
8	0038091	VS 28APR08	BLR



NOTE -

- ▲ - MOUNTING HOLES WILL ACCEPT PINS OR SCREWS OF .087 MAX DIA ON .375 ± .002 CENTERS
- 2 - TERMINALS ARE PLATED FOR SOLDERING
- 3 - MATING CONTACT SURFACES ARE 24 K SOLID GOLD OVERLAY
- 4 - SWITCH WILL WITHSTAND TEMPERATURE OF 250° F

RELEASE NO.	-
REPLACES	-

CHARACTERISTICS	
OPERATING FORCE - - - -	3 - 5 OZ
RELEASE FORCE - - - - -	1 OZ MIN
DIFFERENTIAL TRAVEL - - -	.004 MAX
OVERTRAVEL - - - - -	.005 MIN

ELECTRICAL DATA		
CONTACT ARRANGEMENT SPDT		
30 VOLTS DC RATING		
	SEA LEVEL	50,000 FT
INDUCTIVE	1/2 AMP	1/2 AMP
RESISTIVE	1 AMP	1 AMP
MAXIMUM INRUSH 2 AMP		
APPROVALS	KEMA, CE	1A, 250V ~ T85 1E4
	UL, CSA	1A, 125 VAC

DESIGN UNITS: INCH
TOLERANCES UNLESS NOTED:
NO PLACE X ±
ONE PLACE .X ±
TWO PLACE .XX ±
THREE PLACE .XXX ±
FOUR PLACE .XXXX ±
ANGLES ±
THIRD ANGLE PROJECTION

DRAWN	VK	27 NOV 07
CHECK	RJ	27 NOV 07
THIS DRAWING COVERS A PROPRIETARY ITEM AND IS THE PROPERTY OF HONEYWELL. THIS DRAWING IS NOT TO BE COPIED OR USED WITHOUT THE PERMISSION OF HONEYWELL.		
INTERPRET PER ANSI Y14.5M-1982 OTHER HONEYWELL ENGINEERING STANDARDS MAY APPLY		
RASTER		

Honeywell			
TITLE SWITCH - BASIC			
SIZE	TYPE	DRAWING NAME	REV
B	I	11SM76-T	8
SCALE	-	WEIGHT .006 LB MAX	SHEET 1 OF 1