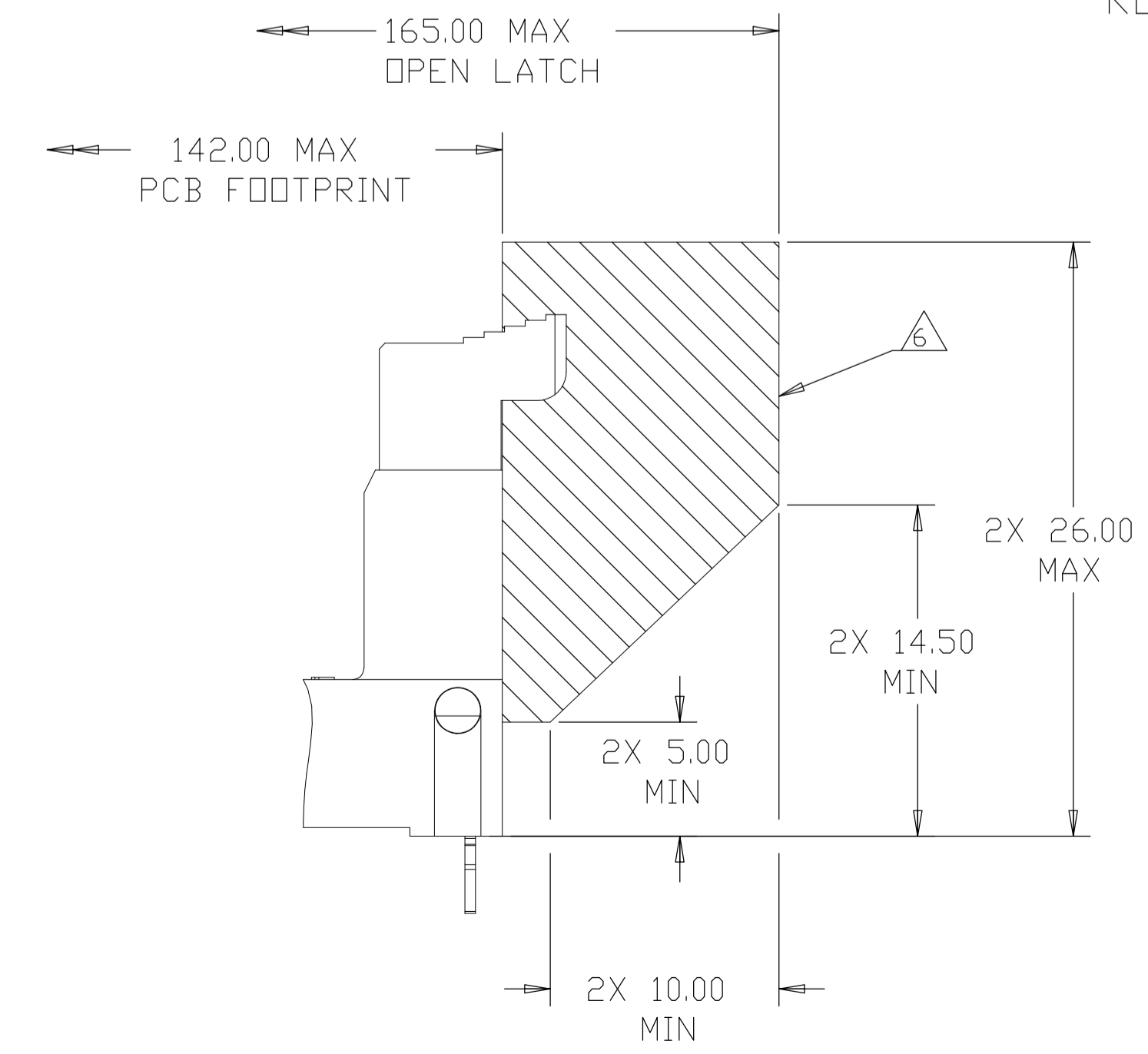
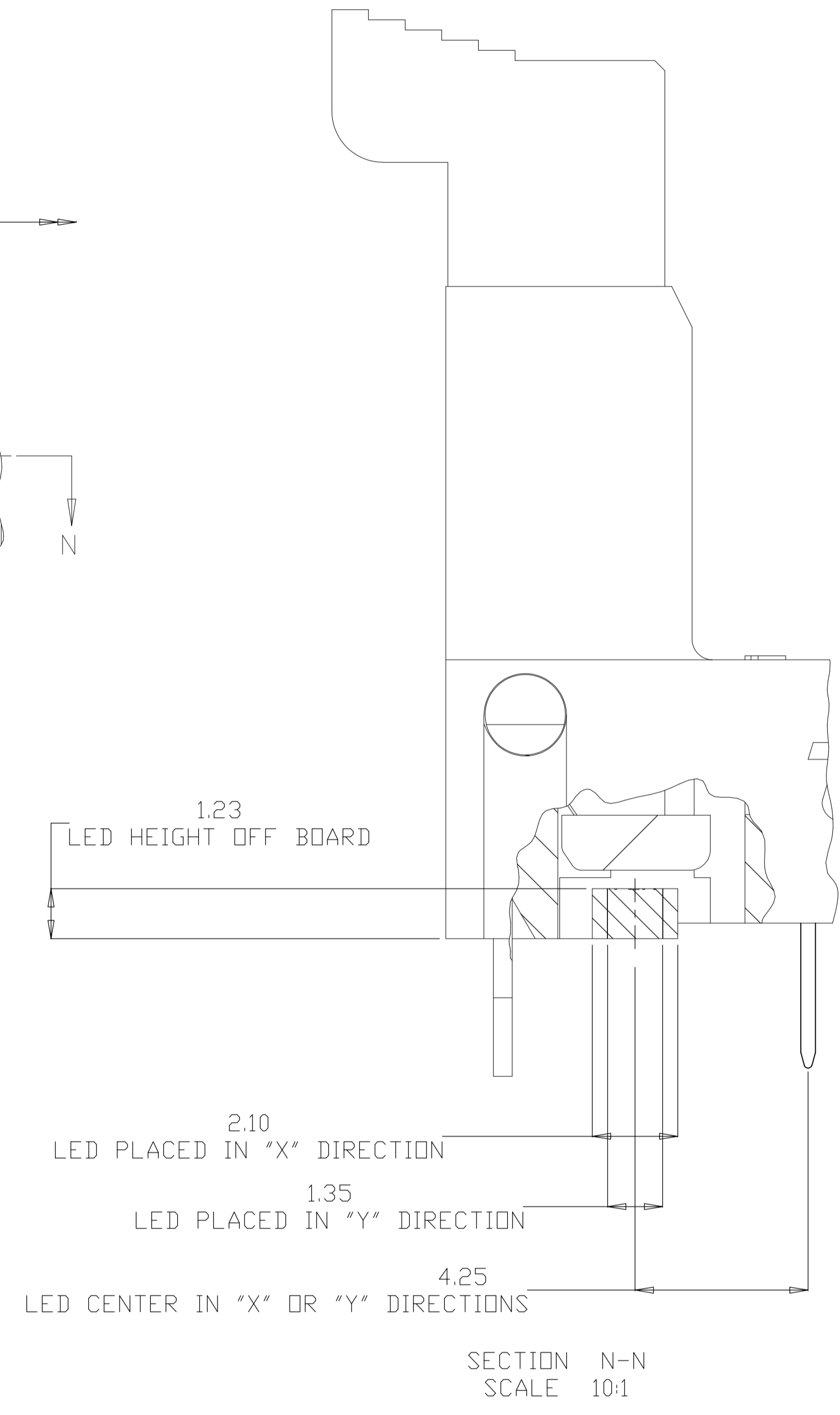
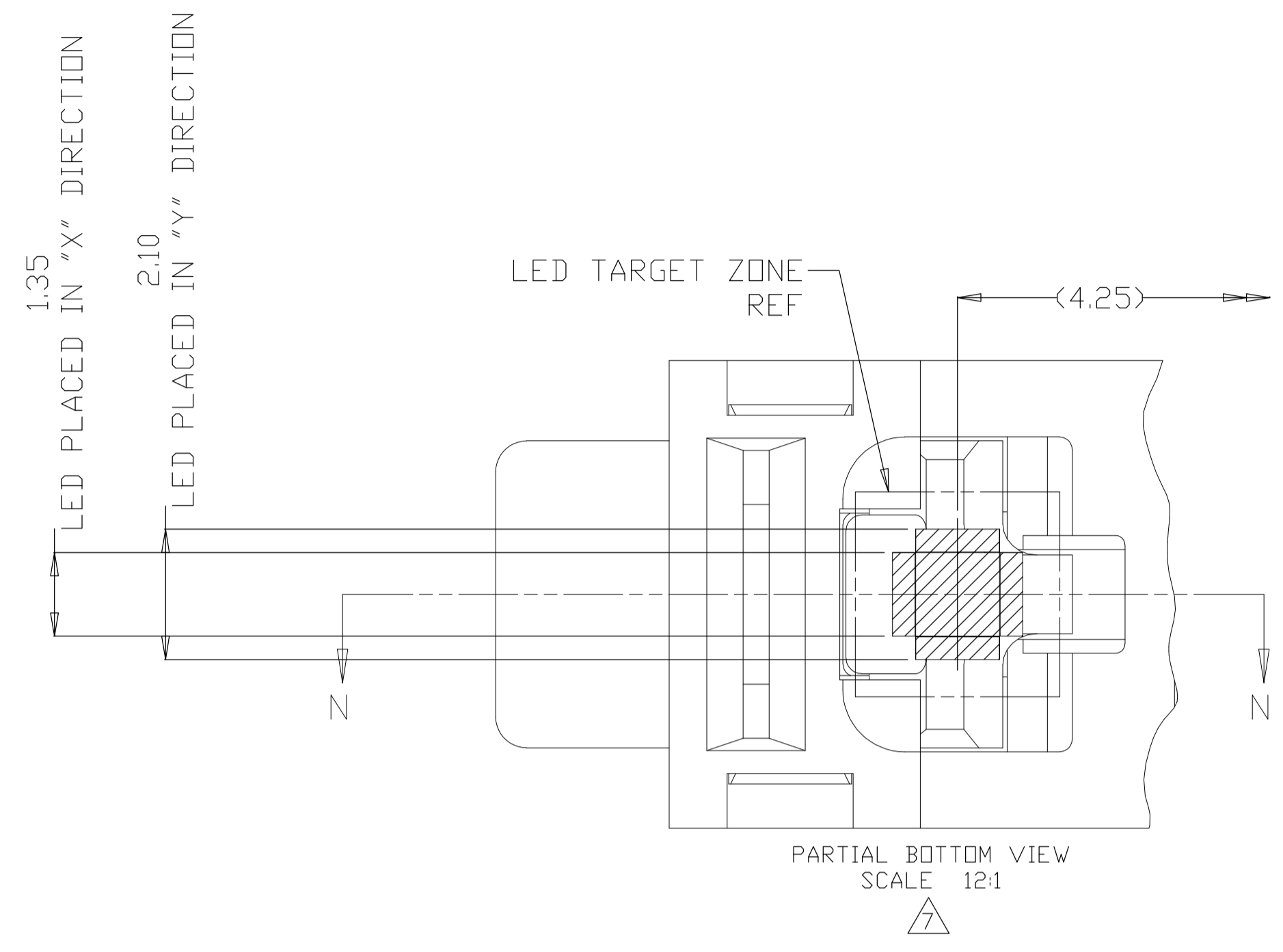


RETENTION BARB TYPE SHOWN ON ALL SHEET UNLESS OTHERWISE NOTED



- MATERIALS:**
- HOUSING: HIGH TEMPERATURE NYLON, UL94 V-0
 - EXTRACTOR: HIGH TEMPERATURE THERMOPLASTIC
 - CONTACTS: COPPER ALLOY
 - RETENTION BARB: BRASS, TIN PLATED
- INTERFACE FINISH:**
- (1) 0.00038 MIN THK GOLD OVER 0.00127 MIN THK NICKEL.
 - (2) 0.00008 MIN THK GOLD OVER 0.00127 MIN THK NICKEL.
 - (3) 0.00076 MIN THK GOLD OVER 0.00127 MIN THK NICKEL.
- FINISHED HOLE SIZE:** 0.15 MAXIMUM ANNULAR RING.
- KEEP OUT ZONE:**
- KEEP OUT AREA RESERVED FOR SOCKET EXTRACTORS, BOTH ENDS.
- SOLDERTAIL FINISH:**
- 0.00300 MIN THK MATTE TIN OVER 0.00127 MIN THK NICKEL.
- LED LOCATION AS APPLICABLE PER CUSTOMER.**
- DATUM -G- IS CONNECTOR SIDE SURFACE OF PCB.**

| | | | |
|--|--|---------------------------|--|
| THIS DRAWING IS A CONTROLLED DOCUMENT. | | DIN LEO ZHOU 28FEB2007 | TE Connectivity |
| DIMENSIONS: mm | | CHK STEVEN YAO 28FEB2007 | |
| TOLERANCES UNLESS OTHERWISE SPECIFIED: | | APVD STEVEN YAO 28FEB2007 | NAME |
| 0 PLC ± - | | PRODUCT SPEC | SOCKET ASSEMBLY, VERTICAL DDR3 DIMM, SOLDER TAIL, 240 POSITION |
| 1 PLC ± 0.5 | | APPLICATION SPEC | 108-2256 |
| 2 PLC ± 0.13 | | SIZE | 114-13154 |
| 3 PLC ± 0.013 | | WEIGHT | A1 00779 |
| 4 PLC ± 0.0001 | | SCALE | 4:1 |
| ANGLES ± - | | SHEET | 1 OF 4 |
| FINISH | | RESTRICTED TO | REV H6 |
| CUSTOMER DRAWING | | DRAWING NO 1932000 | |

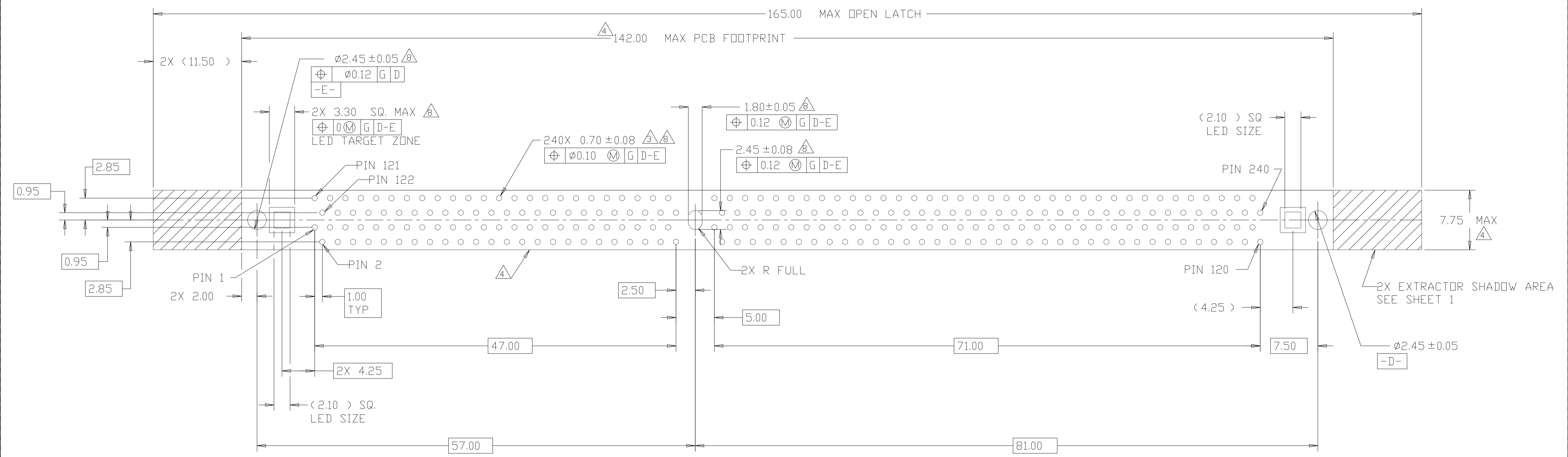


| | | | | | |
|----------------|-----------------|---|---------------------------|-------------|-------------|
| RETENTION BARB | BLACK | BLACK | 0.00076 MIN (30u'') | 2.54 | 7-1932000-6 |
| | NATURAL | BLACK | | 2.54 | 7-1932000-5 |
| | NATURAL | BLUE(2935U) | 0.00038 MIN(15u'') | 2.67 | 7-1932000-2 |
| | NATURAL | PINK(701C) | 0.00008 MIN (3u'', FLASH) | 2.54 | 6-1932000-5 |
| | | BLUE(284C) | | 2.54 | 6-1932000-4 |
| | BLACK | BLACK | 0.00076 MIN (30u'') | 4.00 | 5-1932000-2 |
| | | | | 3.18 | 5-1932000-1 |
| | NATURAL | BLACK | 0.00076 MIN (30u'') | 4.00 | 4-1932000-8 |
| | | | | 3.18 | 4-1932000-7 |
| | | | | 2.67 | 4-1932000-6 |
| | NATURAL | GREEN(368C) BLUE(284C) ORANGE(021C) | 0.00038 MIN (15u'') | 2.67 | 3-1932000-3 |
| | | | | 2.67 | 2-1932000-5 |
| | | | | 2.67 | 2-1932000-1 |
| | BLACK | BLACK | 0.00038 MIN (15u'') | 3.18 | 1-1932000-7 |
| | | | | 2.67 | 1-1932000-6 |
| | NATURAL | BLACK | 0.00008 MIN(3u'') | 4.00 | 1-1932000-5 |
| 3.18 | | | | 1-1932000-1 | |
| NATURAL | NATURAL | 0.00038 MIN (15u'') | 2.67 | 1-1932000-0 | |
| | | | 2.67 | 1932000-7 | |
| | | | 4.00 | 1932000-6 | |
| | | | 3.18 | 1932000-5 | |
| NATURAL | NATURAL | 0.00008 MIN (3u'', FLASH) | 2.67 | 1932000-4 | |
| | | | 4.00 | 1932000-3 | |
| | | | 3.18 | 1932000-2 | |
| | | | 2.67 | 1932000-1 | |
| HOUSING STYLE | EXTRACTOR COLOR | HOUSING COLOR | CONTACT GOLD INTERFACE | TAIL LENGTH | PART NUMBER |

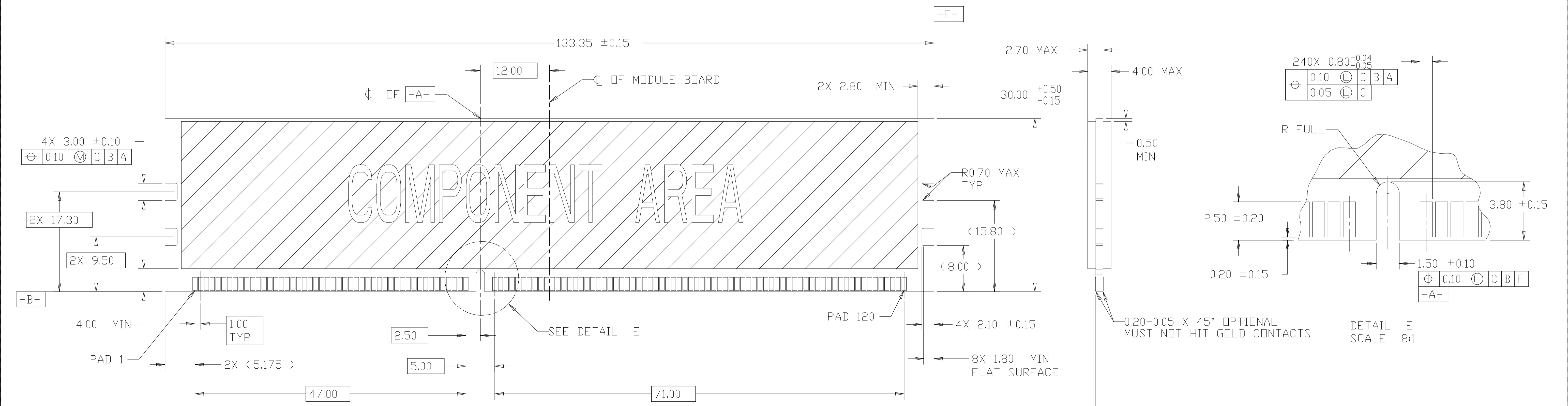
THIS DRAWING IS A CONTROLLED DOCUMENT.

| | | | | |
|----------------|--|---------------------------|-----------|-----------------|
| DIMENSIONS: mm | TOLERANCES UNLESS OTHERWISE SPECIFIED: | DIN LEO ZHOU 28FEB2007 | STE | TE Connectivity |
| 0 PLC ± - | 1 PLC ± 0.5 | CHK STEVEN YAO 28FEB2007 | | |
| 2 PLC ± 0.13 | 3 PLC ± 0.013 | APVD STEVEN YAO 28FEB2007 | | |
| 4 PLC ± 0.0001 | ANGLES ± - | | | |
| MATERIAL | FINISH | SIZE A1 | 00779 | 1932000 |
| | | WEIGHT | | |
| | | CUSTOMER DRAWING | SCALE 4:1 | SHEET 2 OF 4 |

SOCKET ASSEMBLY, VERTICAL DDR3 DIMM, SOLDER TAIL, 240 POSITION

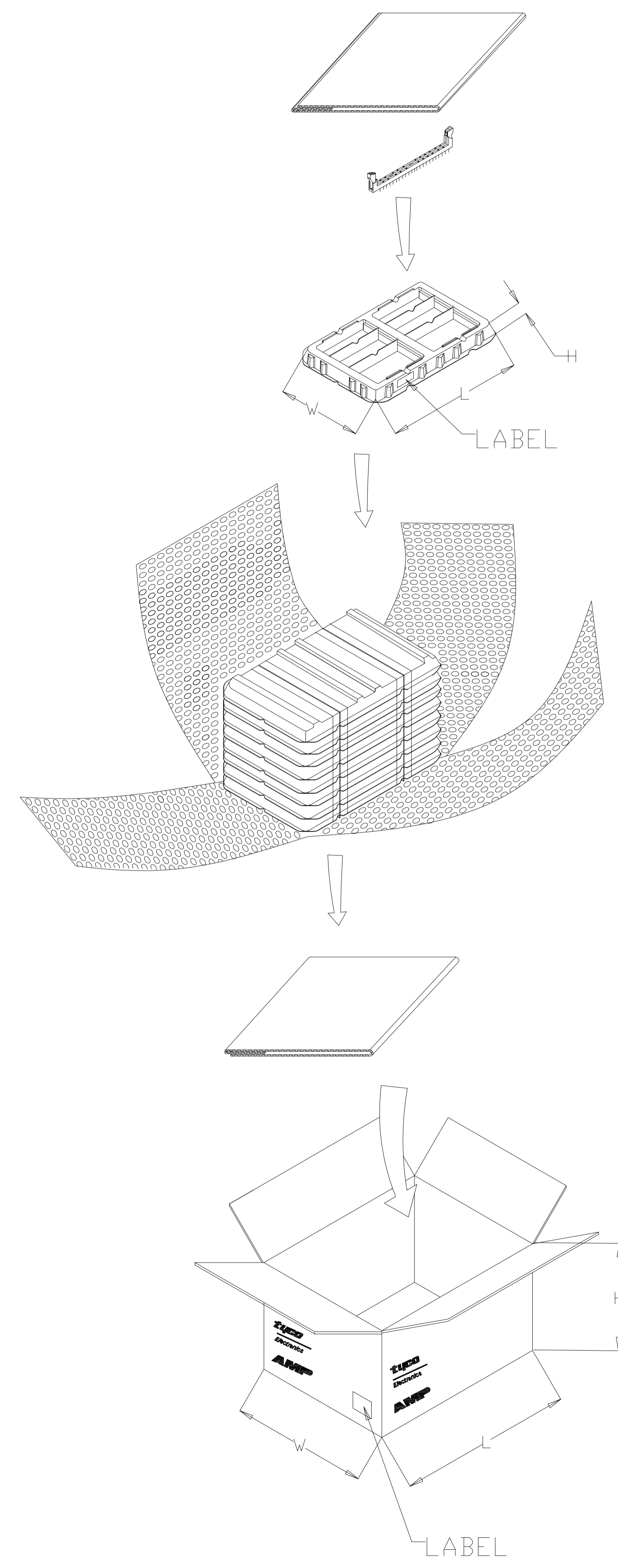


RECOMMENDED PCB LAYOUT
VIEWED FROM CONNECTOR SIDE



RECOMMENDED MODULE LAYOUT
SCALE 3:1
REFER TO JEDEC MO-269 FOR COMPLETE MODULE DETAILS

| | | | | | |
|--|--|------------------|------------|-----------|--|
| THIS DRAWING IS A CONTROLLED DOCUMENT. | | DIN | LEO ZHOU | 28FEB2007 | TE Connectivity |
| | | CHK | STEVEN | 28FEB2007 | |
| | | APVD | STEVEN YAO | 28FEB2007 | NAME |
| | | PRODUCT SPEC | | | SOCKET ASSEMBLY, VERTICAL DDR3 DIMM, SOLDER TAIL, 240 POSITION |
| | | APPLICATION SPEC | | | SIZE |
| | | WEIGHT | | | CAGE CODE |
| | | CUSTOMER DRAWING | | | DRAWING NO |
| | | SCALE 4:1 | | | SHEET 3 OF 4 |
| | | REV H6 | | | RESTRICTED TO |



BOTTOM TRAY

TRAY

CARTON

NOTES:

1. MATERIAL:
 - 1.1 TRAY: PVC
 - 1.2 SHIPPING CARTON : CORRUGATED FIBERBOARD
2. DIMENSION :
 - 2.1 TRAY : L=363, W=255, H=33
 - 2.2 SHIPPING CARTON : L=375, W=265, H=280
3. QUANTITY :
 - 3.1 PRIMARY PACKING : 50 PCS/TRAY
 - 3.2 SECONDARY PACKING : 8 TRAY/CARTON(400PCS)
4. WEIGHT :
 - 4.1 NET WEIGHT : 3.76 KG
 - 4.2 GROSS WEIGHT: 6.00 KG

| | | | | | |
|--|--|--|------------|-----------|------------------|
| THIS DRAWING IS A CONTROLLED DOCUMENT. | | DIN | LEO ZHOU | 28FEB2007 | TE Connectivity |
| | | CHK | STEVEN | 28FEB2007 | |
| | | APVD | STEVEN YAO | 28FEB2007 | NAME |
| | | TOLERANCES UNLESS OTHERWISE SPECIFIED: | | | PRODUCT SPEC |
| DIMENSIONS: | | mm | | | APPLICATION SPEC |
| | | 0. PLC | ± | - | SIZE |
| | | 1. PLC | ± | 0.50 | CAGE CODE |
| | | 2. PLC | ± | 0.13 | DRAWING NO |
| | | 3. PLC | ± | 0.013 | A1 00779 |
| | | 4. PLC | ± | 0.0001 | C=1932000 |
| | | ANGLES | ± | - | RESTRICTED TO |
| MATERIAL | | FINISH | | | WEIGHT |
| - | | - | | | - |
| | | CUSTOMER DRAWING | | | SCALE |
| | | -- | | | SHEET |
| | | 4 | | | OF |
| | | 4 | | | REV |
| | | H6 | | | |