

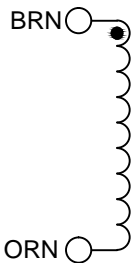
PRIMARY

SECONDARY

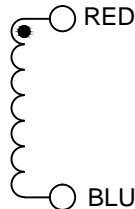
PRIMARY #1
117V 50/60Hz



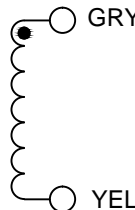
PRIMARY #2
117V 50/60Hz



SECONDARY #1
110V @ 0.727Amps



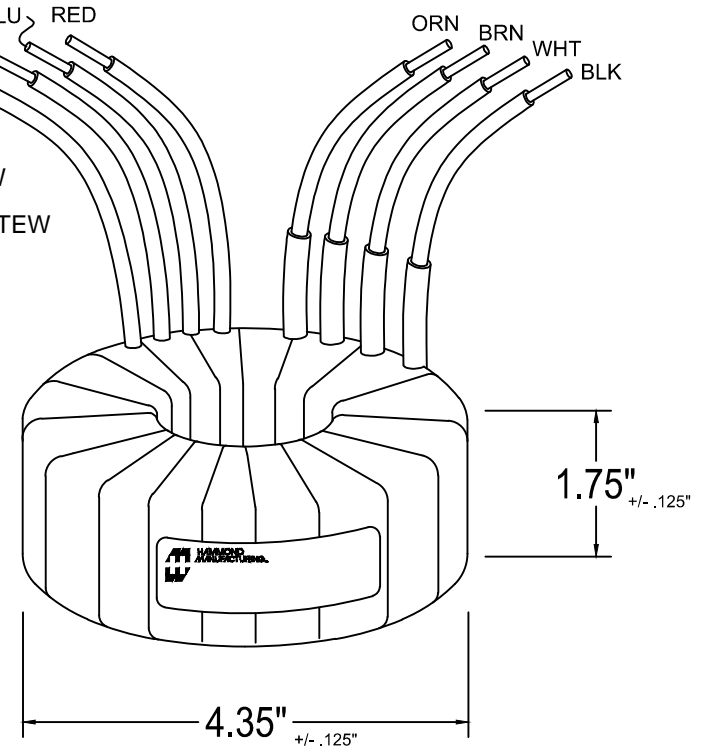
SECONDARY #2
110V @ 0.727Amps



PRIMARY LEADS ARE #20 TEW
SECONDARY LEADS ARE #20 TEW

ALL LEADS OUT 8"-9" AND
STRIPPED 0.5" MIN.

WEIGHT: 3.75Lbs +/- 4%



HAMMOND MANUFACTURING
1182K110
 50/60Hz VA:160
 PRI: 2x 117V BLK-WHT, BRN-ORN
 SEC: 2x 110V @ 0.727A RED-BLU, GRY-YEL
 1A0160A000C110110
 MADE IN CANADA DATE PB
 RoHS Compliant

SUPPLIED WITH: TWO 0.062" T X 3.75" OD RUBBER WASHERS.
 ONE 16GA X 3.56" OD STEEL MOUNTING WASHER.
 ONE 1/4-20 BOLT 2.50" LONG WITH A LOCK WASHER AND 1/4-20 HEX NUT.

ELECTRICAL DATA:		
TESTS	CONDITIONS	ACCEPTANCE CRITERIA
Sec. N.L.V	@ 117V, 60Hz BLK & BRN to WHT & ORN	
OR	@ 234V, 50Hz BLK to ORN (Connect BRN & WHT)	
	RED - BLU	118.78 V ±2%
	GRY - YEL	118.78 V ±2%
POLARITY	BLK, BRN, RED and GRY.	ADDITIVE
DCR	BLK - WHT	5.100 Ohms ±20%
IN OHMS	BRN - ORN	5.100 Ohms ±20%
	RED - BLU	5.320 Ohms ±20%
	GRY - YEL	5.320 Ohms ±20%
HI POT	PRIMARY - SECONDARY	4000V, 60Hz, 1 SEC
	PRIMARY - PRIMARY	600V, 60Hz, 1 SEC
	SECONDARY - SECONDARY	600V, 60Hz, 1 SEC

PROPERTY AND COPYRIGHT NOTICE
 THIS DRAWING AND THE INFORMATION IT CONVEYS ARE THE PROPERTY OF HAMMOND MANUFACTURING. IT MAY NOT BE REPRODUCED, TRANSMITTED OR USED IN ANY MANNER WHATSOEVER WITHOUT THE WRITTEN PERMISSION OF HAMMOND MANUFACTURING.

REV	NOTES	BY	DATE

HAMMOND MANUFACTURING
 ELECTRONIC DIVISION
 52 RANKIN PLACE,
 WATERLOO, ONTARIO, N2J 3Z5
 PHONE: 519.886.6181 FAX: 519.886.9540

TOROID POWER TRANSFORMER

DRAWN G. GRAY	DATE 21/03/2014	NUMBER 1182K110
APPROVED	DATE	