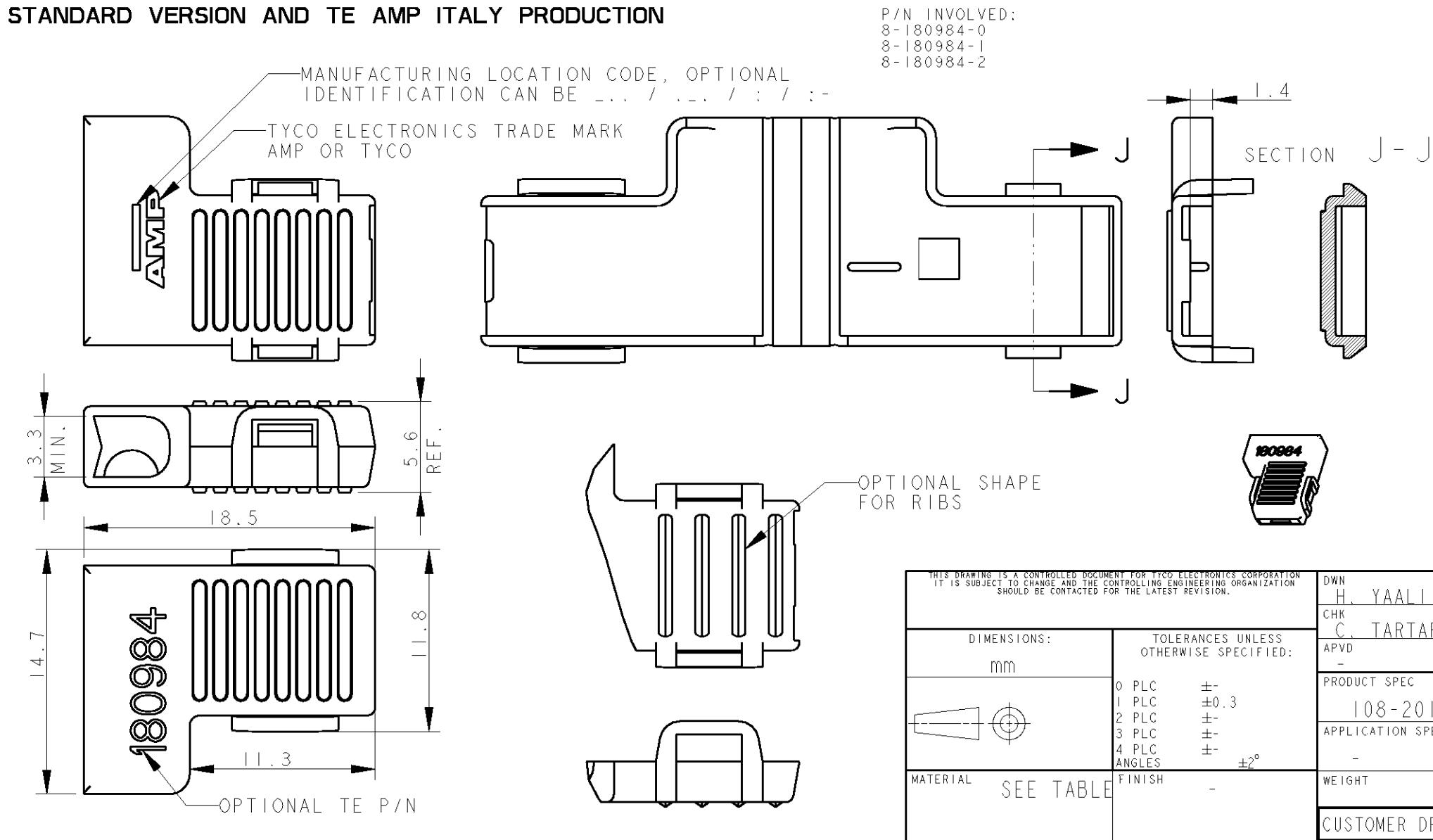
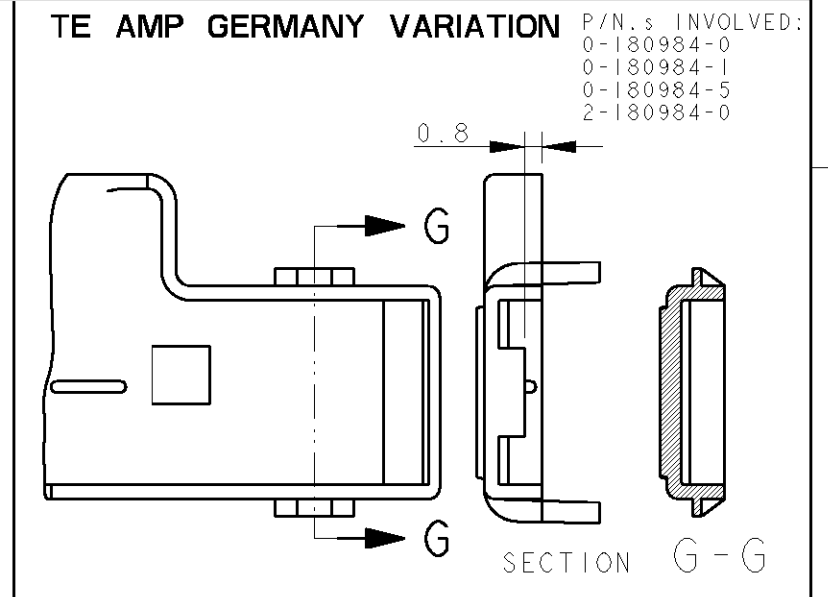
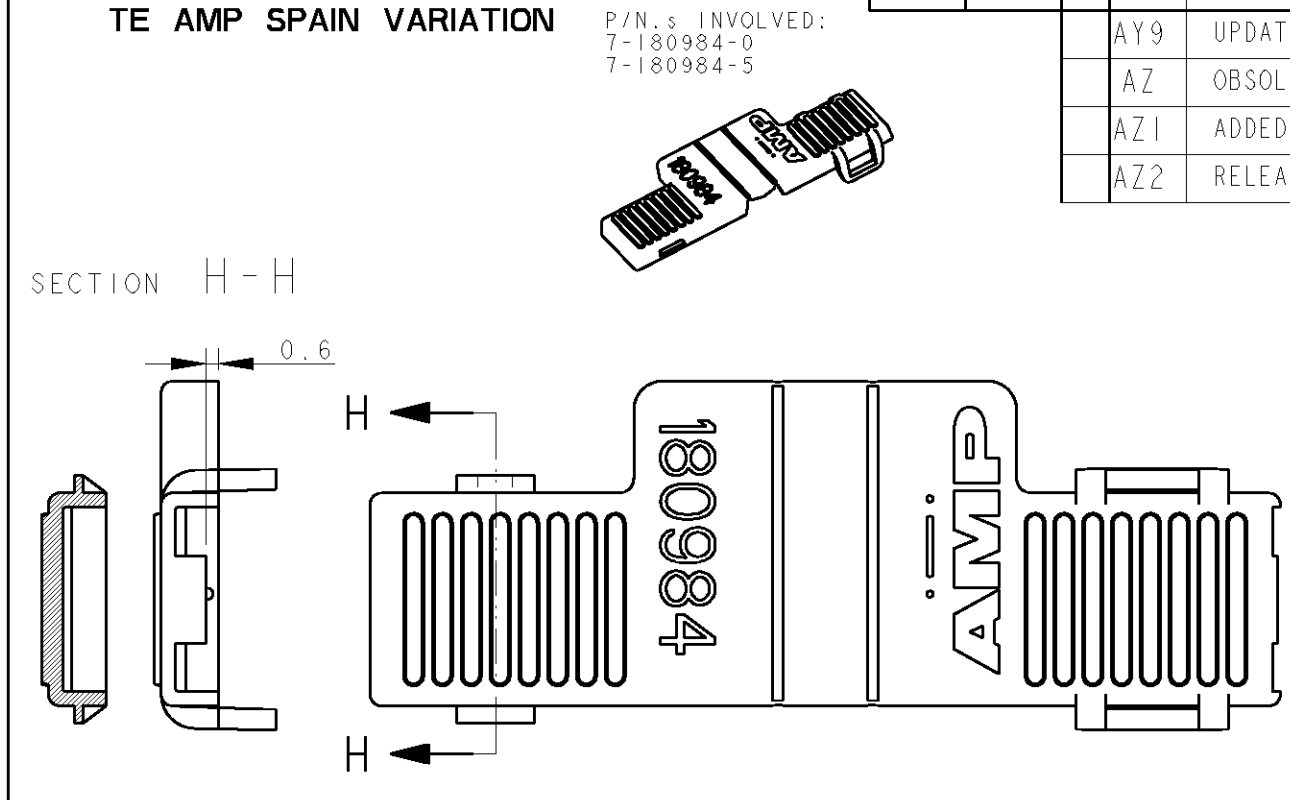
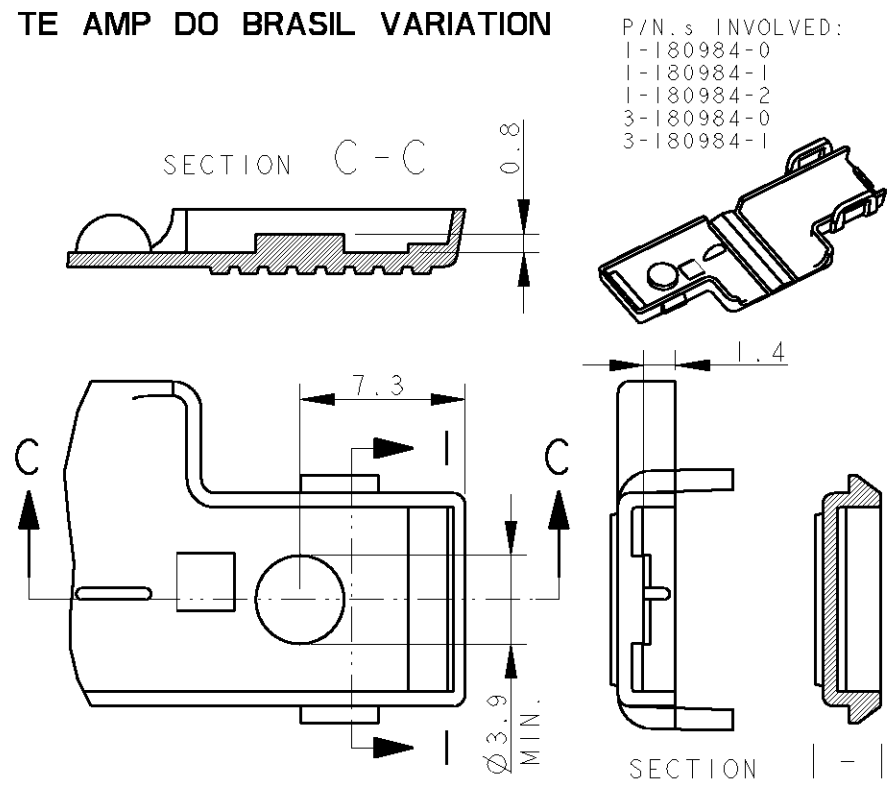


THIS DRAWING IS UNPUBLISHED. RELEASED FOR PUBLICATION 2002
 © COPYRIGHT 2002 BY TYCO ELECTRONICS CORPORATION. ALL RIGHTS RESERVED.

LOC		DIST		REVISIONS			
P	LTR	DESCRIPTION	DATE	DWN	APVD		
	AY9	UPDATED, ET00-0110-04	28 MAY 2004	H.Y.	C.T.		
	AZ	OBSOLETE P/N.s, ET00-0148-04	06 OCT 2004	H.Y.	G.T.		
	AZ1	ADDED P/N, ET00-0215-04	05 NOV 2004	H.Y.	G.T.		
	AZ2	RELEASED 8-...-2, ET00-0044-05	23 FEB 2005	H.Y.	G.T.		



3	COLORE (COLOUR)	MATERIALE (MATERIAL)	NUMERO (P/N)	REV
	NATURALE (NATURAL)	PA 6 UNFILLED	8-180984-2	AZ
	NERO (BLACK)	PA 6.6 UL 94-V0	8-180984-1	AY
	NATURALE (NATURAL)	PA 6.6 UNFILLED (UL 94-V2)	8-180984-0	AY
	NERO (BLACK)	PA66, STOCK N. 702747-2	7-180984-5	AY
	NATURALE (NATURAL)	PA 6.6 FLAME RETAD.	7-180984-0	AY
	NERO (BLACK)	ULTRAMID A3W	3-180984-1	AY
	NATURALE (NATURAL)		3-180984-0	AY
	NERO (BLACK)		2-180984-0	AY
	ROSSO (RED)		1-180984-2	AY
	NATURALE (NATURAL)	PA 6.6 UNFILLED (UL 94-V2)	1-180984-1	AY
	NERO (BLACK)		1-180984-0	AY
	ROSSO (RED)		0-180984-5	AY
	NATURALE (NATURAL)		0-180984-1	AY
	NATURALE (NATURAL)		0-180984-0	AY

THIS DRAWING IS A CONTROLLED DOCUMENT FOR TYCO ELECTRONICS CORPORATION IT IS SUBJECT TO CHANGE AND THE CONTROLLING ENGINEERING ORGANIZATION SHOULD BE CONTACTED FOR THE LATEST REVISION.

DWN H. YAALI 18SEP2002
 CHK C. TARTARI
 APVD -

PRODUCT SPEC 108-20109
 APPLICATION SPEC -

WEIGHT -

CUSTOMER DRAWING

tyco Electronics tyco Electronics AMP Italia S.p.A.
 Corso F.lli Cervi, 15 COLLEGGNO (TO)

NAME FLAG FASTON BOOT .250" SERIES

SIZE A3 CAGE CODE 00779C DRAWING NO C-180984 RESTRICTED TO -

SCALE 3:1 SHEET 1 OF 1 REV AZ2

NOT the LATEST REVISION