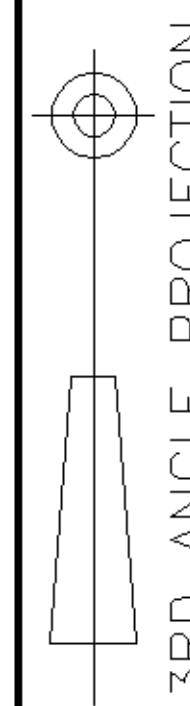


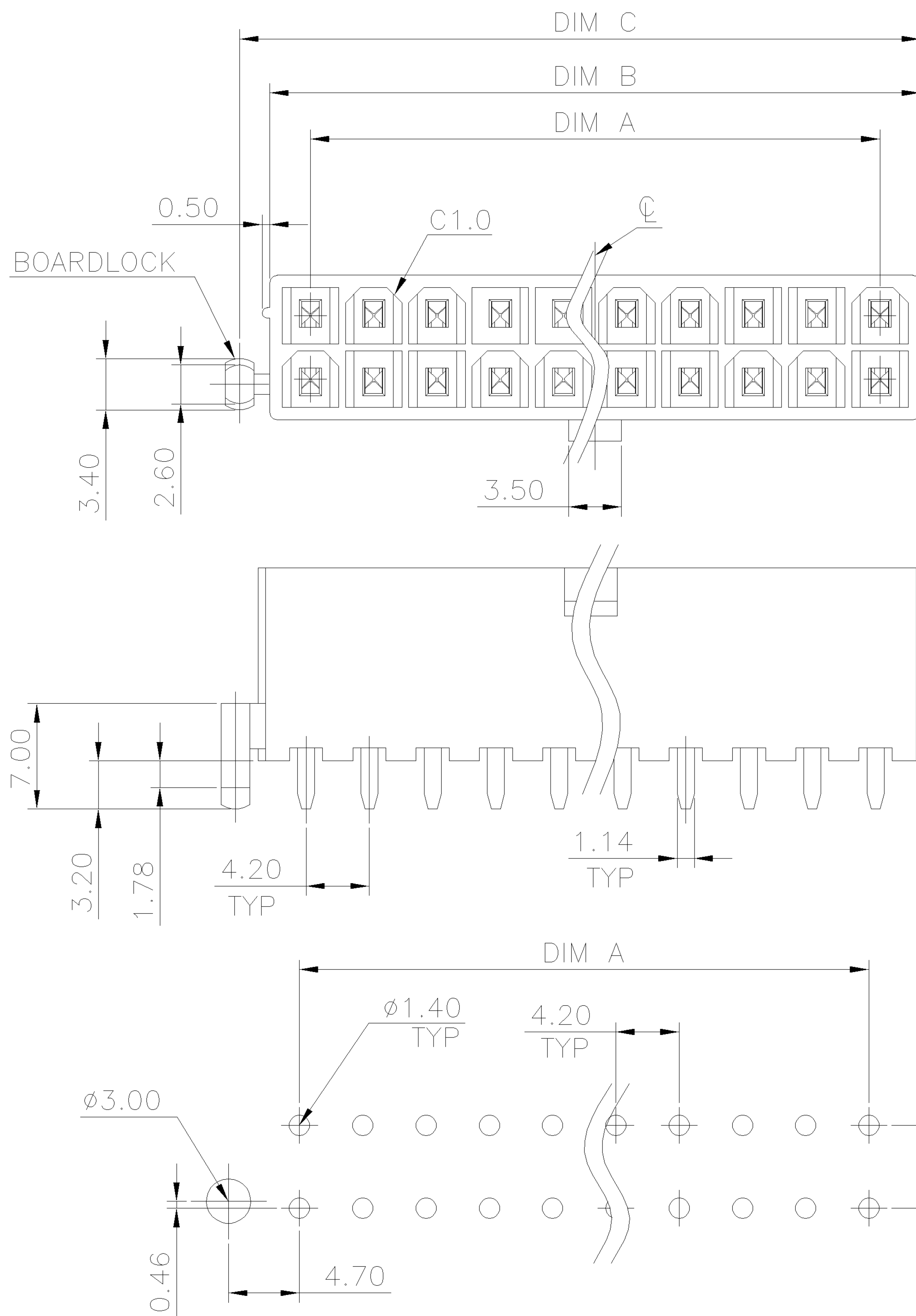
NUMBER
C-1775099



METRIC

THIS INFORMATION IS CONFIDENTIAL AND IS DISCLOSED TO YOU ON CONDITION THAT NO FURTHER DISCLOSURE IS MADE BY YOU TO OTHER THAN AMP PERSONNEL WITHOUT WRITTEN AUTHORIZATION FROM AMP (TAIWAN) LTD. DIMENSIONS IN MILLIMETERS. DO NOT SCALE PRINT.

PRINT
DW



RECOMMENDED P.C BOARD LAYOUT (T=1.6mm)
PCB TOLERANCE: ±0.05

| | | | |
|-----|-----------------|-------|------|
| AW | SH | 24NOV | 2004 |
| DWN | CHK | DATE | |
| o | FIRST RELEASED | - | |
| LTR | REVISION RECORD | ECN | |

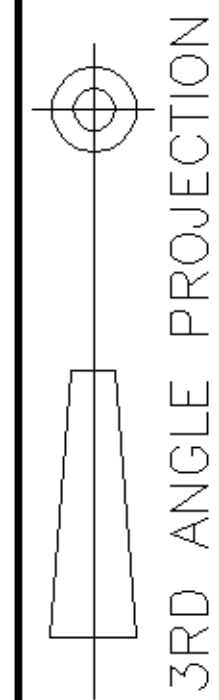
NOTE:

- MATERIAL:
HOUSING: THERMOPLASTIC, UL 94V-0, COLOR: (SEE TABLE)
THERMOPLASTIC WITH 30% G/F, UL 94V-0, COLOR: IVORY.
CONTACTS: BRASS.
- FINISH:
CONTACTS: 100μ" MIN. TIN OVER 50μ" MIN. NICKEL OVER ENTIRE CONTACT.
- WAVE SOLDER CAPABLE TO 265°C AS PER TYCO SPEC. 109-202, CONDITION B.
- NO TYCO LOGO AND DATE CODE ON THE PRODUCT.

| HSG COLOR & MATERIAL | WEIGHT | DIMENSION | | | POS. | PART NUMBER |
|----------------------|--------|-----------|------|------|------|-------------|
| | | A | B | C | | |
| IVORY PA46 (30% G/F) | 4.14 g | 46.2 | 51.6 | 53.6 | 24 | 1-1775099-3 |
| | 0.9 g | 4.2 | 9.6 | 11.6 | 4 | 1-1775099-2 |
| | 3.8 g | 37.8 | 43.2 | 45.2 | 20 | 1-1775099-1 |
| | 3.35 g | 33.6 | 39.0 | 41.0 | 18 | 1-1775099-0 |
| | 2.59 g | 25.2 | 30.6 | 32.6 | 14 | 1775099-9 |
| | 2.17 g | 21.0 | 26.4 | 28.4 | 12 | 1775099-8 |
| | 1.83 g | 16.8 | 22.2 | 24.2 | 10 | 1775099-7 |
| | 1.23 g | 8.4 | 13.8 | 15.8 | 6 | 1775099-6 |
| | 1.55 g | 12.6 | 18.0 | 20.0 | 8 | 1775099-5 |
| IVORY PA46 | 4.14 g | 46.2 | 51.6 | 53.6 | 24 | 1775099-4 |
| | 0.9 g | 4.2 | 9.6 | 11.6 | 4 | 1775099-3 |
| TRANSPARENCY PA46 | 4.14 g | 46.2 | 51.6 | 53.6 | 24 | 1775099-2 |
| | 0.9 g | 4.2 | 9.6 | 11.6 | 4 | 1775099-1 |

| | | | |
|--|--|--|-------------------------|
| TOLERANCES UNLESS OTHERWISE SPECIFIED: 0 PLC ±- 1 PLC ±0.3 2 PLC ±0.25 3 PLC ±0.15 ANGLES ±3' | DWN A. WU 01-JUN-2005 | tyco TYCO HOLDINGS (BERMUDA) Electronics VII LTD. TAIWAN BRANCH | |
| MATERIAL SEE NOTE | CHK S. HOU 01-JUN-2005 | NAME ATX POWER CONNECTOR VERTICAL, DIP. | |
| FINISH SEE NOTE | APVD W.J. KE 01-JUN-2005 | PRODUCT SPEC 108-57560 | LOC DW |
| | QUALIFICATION TEST REPORT 501-57652 | SIZE A ₃ | DRAWING NO C-1775099 |
| | WEIGHT SEE TABLE | SCALE -- | REV O |
| | | | SHEET 1 OF 5 |

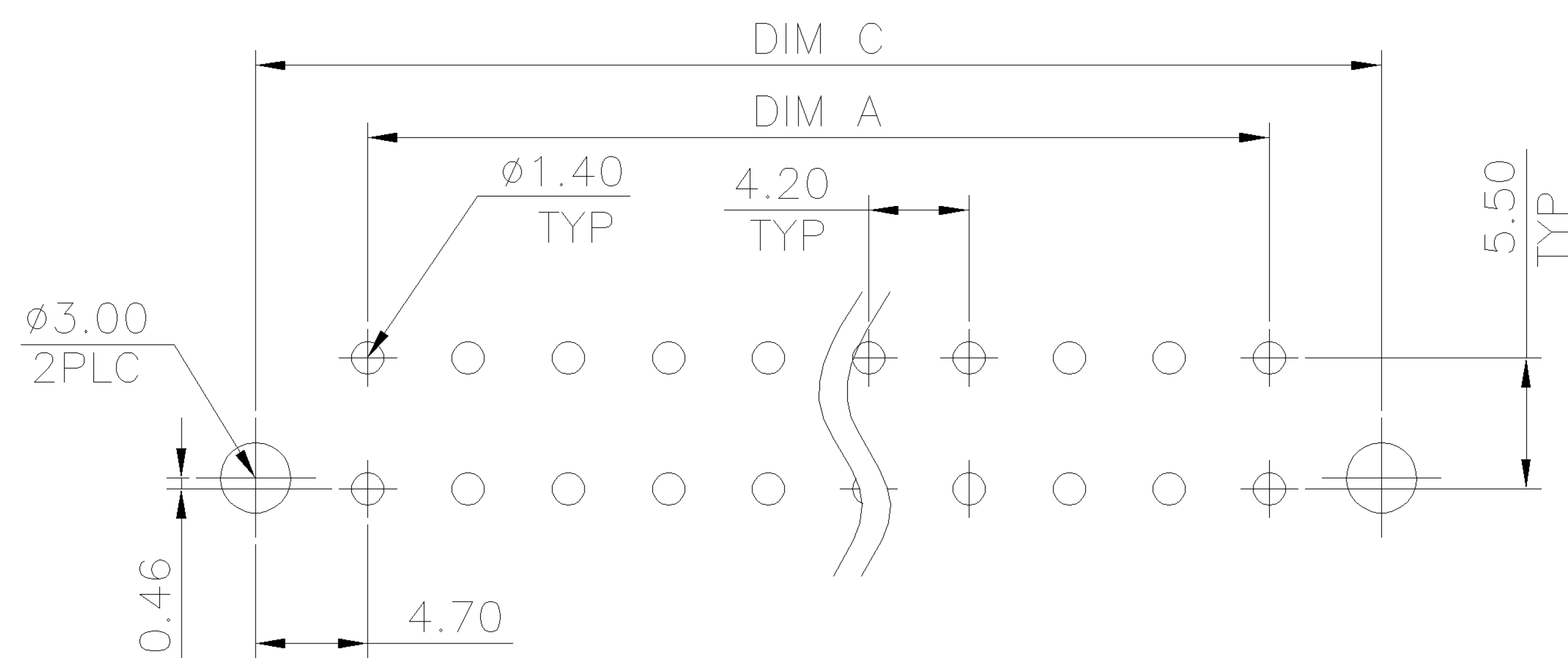
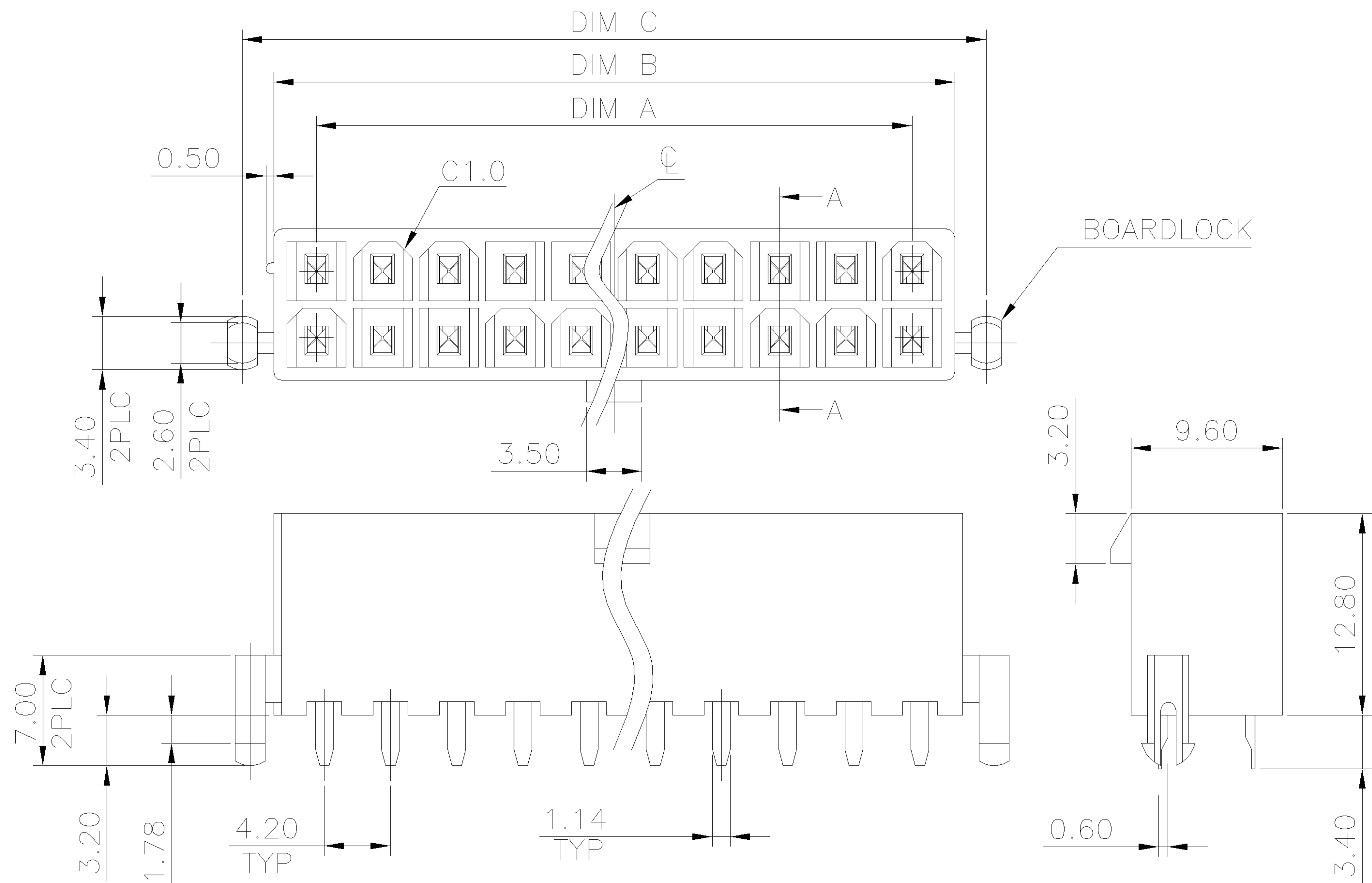
NUMBER
C-1775099



METRIC

THIS INFORMATION IS CONFIDENTIAL AND IS DISCLOSED TO YOU ON CONDITION THAT NO FURTHER DISCLOSURE IS MADE BY YOU TO OTHER THAN AMP PERSONNEL WITHOUT WRITTEN AUTHORIZATION FROM AMP (TAIWAN) LTD. DIMENSIONS IN MILLIMETERS. DO NOT SCALE PRINT.

PRINT
DW



RECOMMENDED P.C BOARD LAYOUT (T=1.6mm)
PCB TOLERANCE: ±0.05

NOTE:

- MATERIAL:
HOUSING: HERMOPLASTIC WITH 30% G/F, UL 94V-0,
COLOR: IVORY.
CONTACTS: BRASS.
- FINISH:
CONTACTS: 100μ" MIN. TIN OVER 50μ" MIN. NICKEL
OVER ENTIRE CONTACT.
- WAVE SOLDER CAPABLE TO 265°C AS
PER TYCO SPEC. 109-202, CONDITION B.
- NO TYCO LOGO AND DATE CODE ON THE PRODUCT.

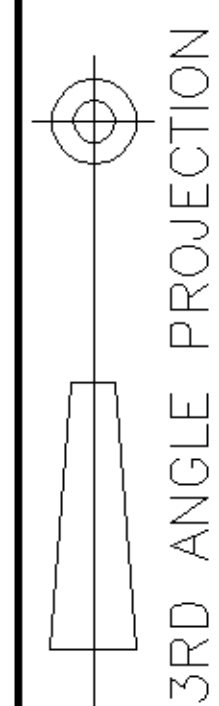
| | | | | | | |
|--------|-----------|------|------|------|-------------|-------------|
| | 4.17 g | 46.2 | 51.6 | 55.6 | 24 | 2-1775099-8 |
| | 3.9 g | 37.8 | 43.2 | 47.2 | 20 | 2-1775099-7 |
| | 3.37 g | 33.6 | 39.0 | 43.0 | 18 | 2-1775099-6 |
| | 2.61 g | 25.2 | 30.6 | 34.6 | 14 | 2-1775099-5 |
| | 2.23 g | 21.0 | 26.4 | 30.4 | 12 | 2-1775099-4 |
| | 1.85 g | 16.8 | 22.2 | 26.2 | 10 | 2-1775099-3 |
| | 1.59 g | 12.6 | 18.0 | 22.0 | 8 | 2-1775099-2 |
| | 1.25 g | 8.4 | 13.8 | 17.8 | 6 | 2-1775099-1 |
| | 0.92 g | 4.2 | 9.6 | 13.6 | 4 | 2-1775099-0 |
| WEIGHT | DIMENSION | | | POS. | PART NUMBER | |

| | | | | | |
|--|--|--|------------------------|-------------------------|----------|
| TOLERANCES UNLESS OTHERWISE SPECIFIED: 0 PLC ±- 1 PLC ±0.3 2 PLC ±0.25 3 PLC ±0.15 ANGLES ±3' | DWN A. WU 01-JUN-2005 | TYCO HOLDINGS (BERMUDA) VII LTD. TAIWAN BRANCH Electronics NAME ATX POWER CONNECTOR VERTICAL, DIP. | | | |
| | CHK S. HOU 01-JUN-2005 | | | | |
| MATERIAL SEE NOTE | APVD W.J. KE 01-JUN-2005 | PRODUCT SPEC 108-57560 | | | |
| FINISH SEE NOTE | QUALIFICATION TEST REPORT 501-57652 | LOC DW | SIZE A ₃ | DRAWING NO C-1775099 | REV 0 |
| | WEIGHT SEE TABLE | SCALE -- | SHEET 2 OF 5 | | |

| | | | |
|-------------|-----------------|------------|------|
| SEE SHEET 1 | ECN | DWN CHK | DATE |
| LTR | REVISION RECORD | | |

CUSTOMER DRAWING

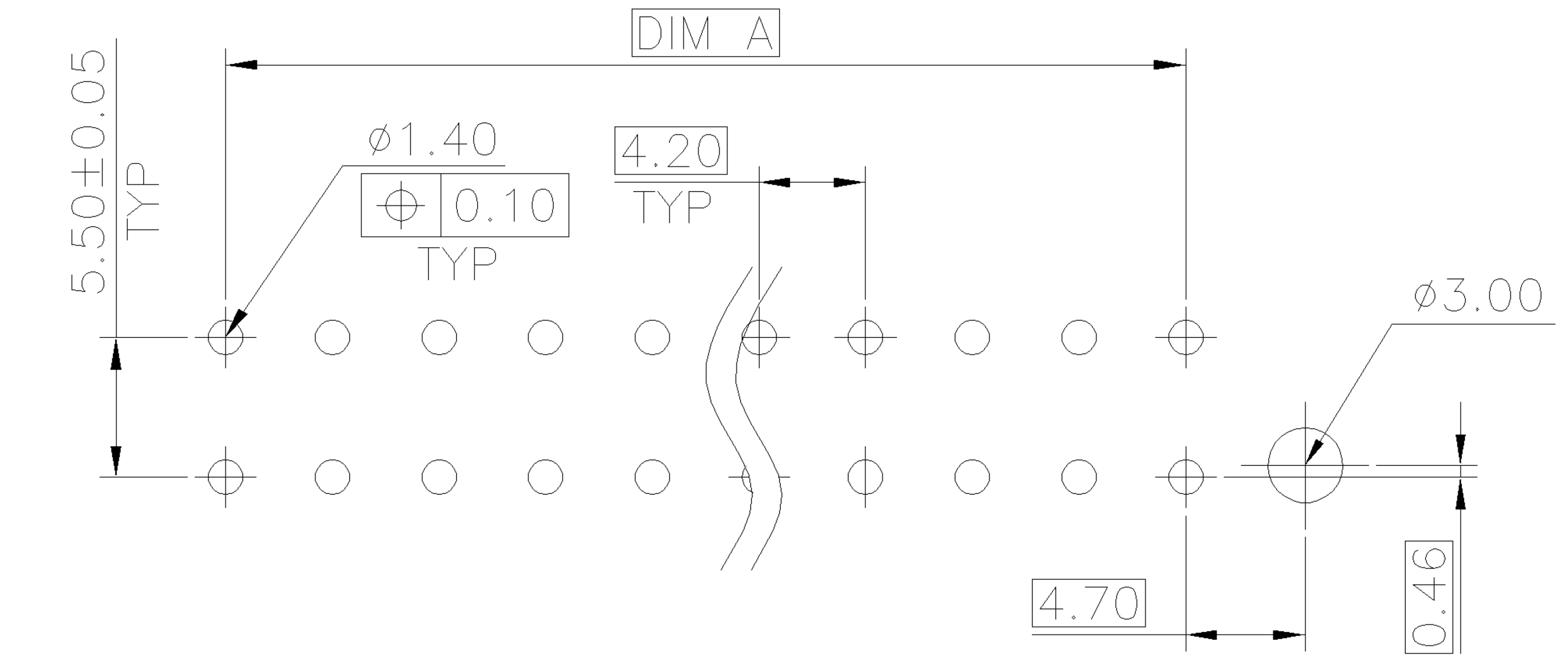
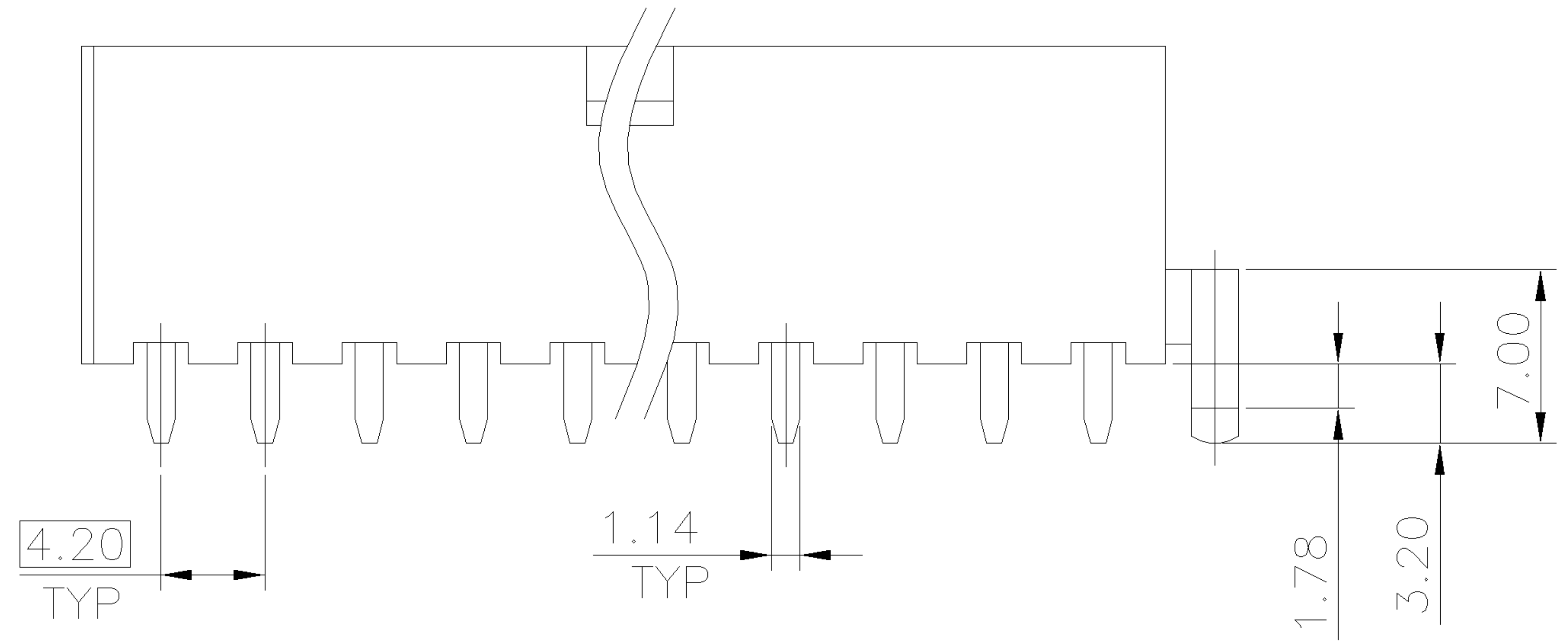
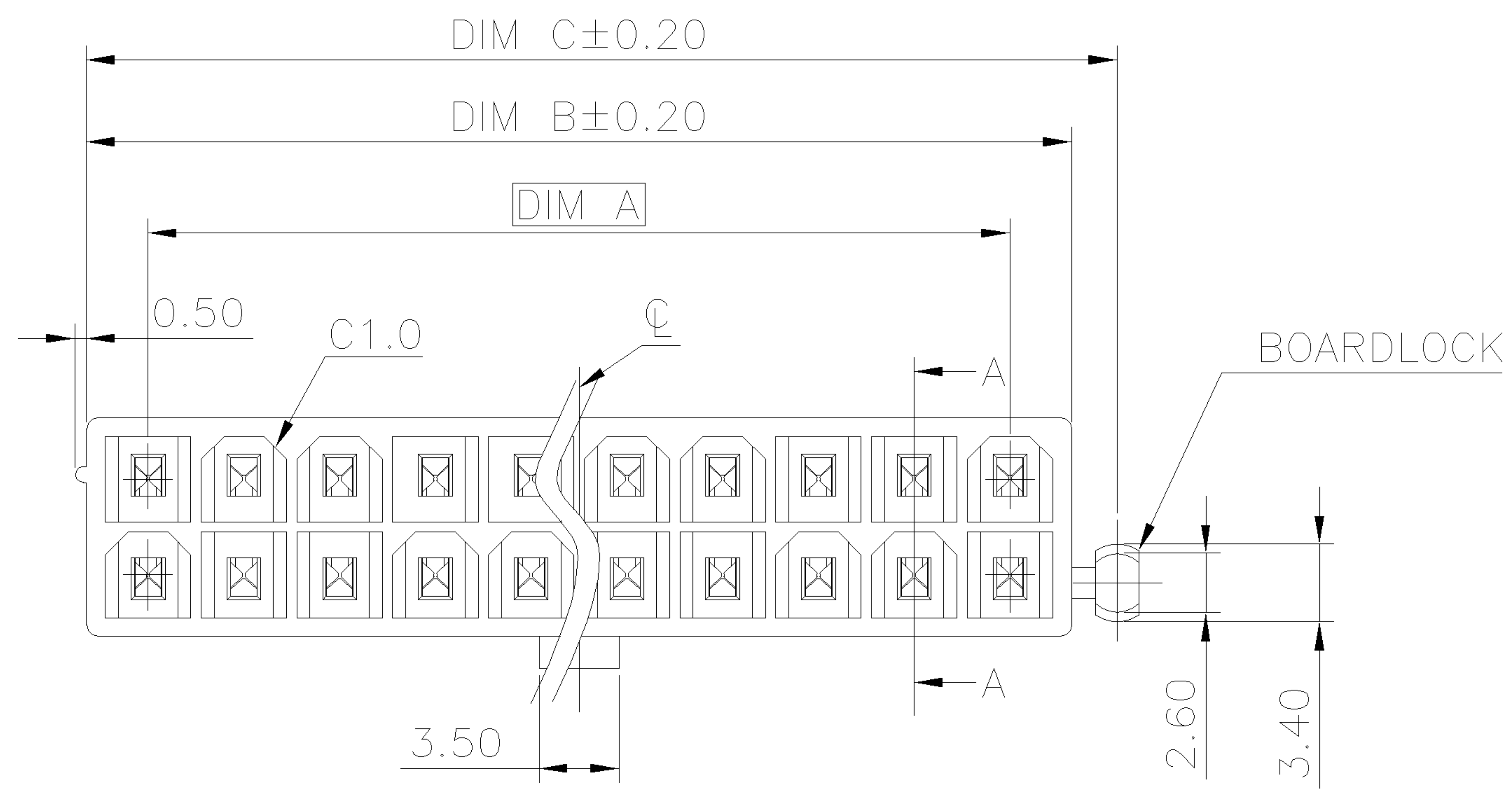
NUMBER
C-1775099



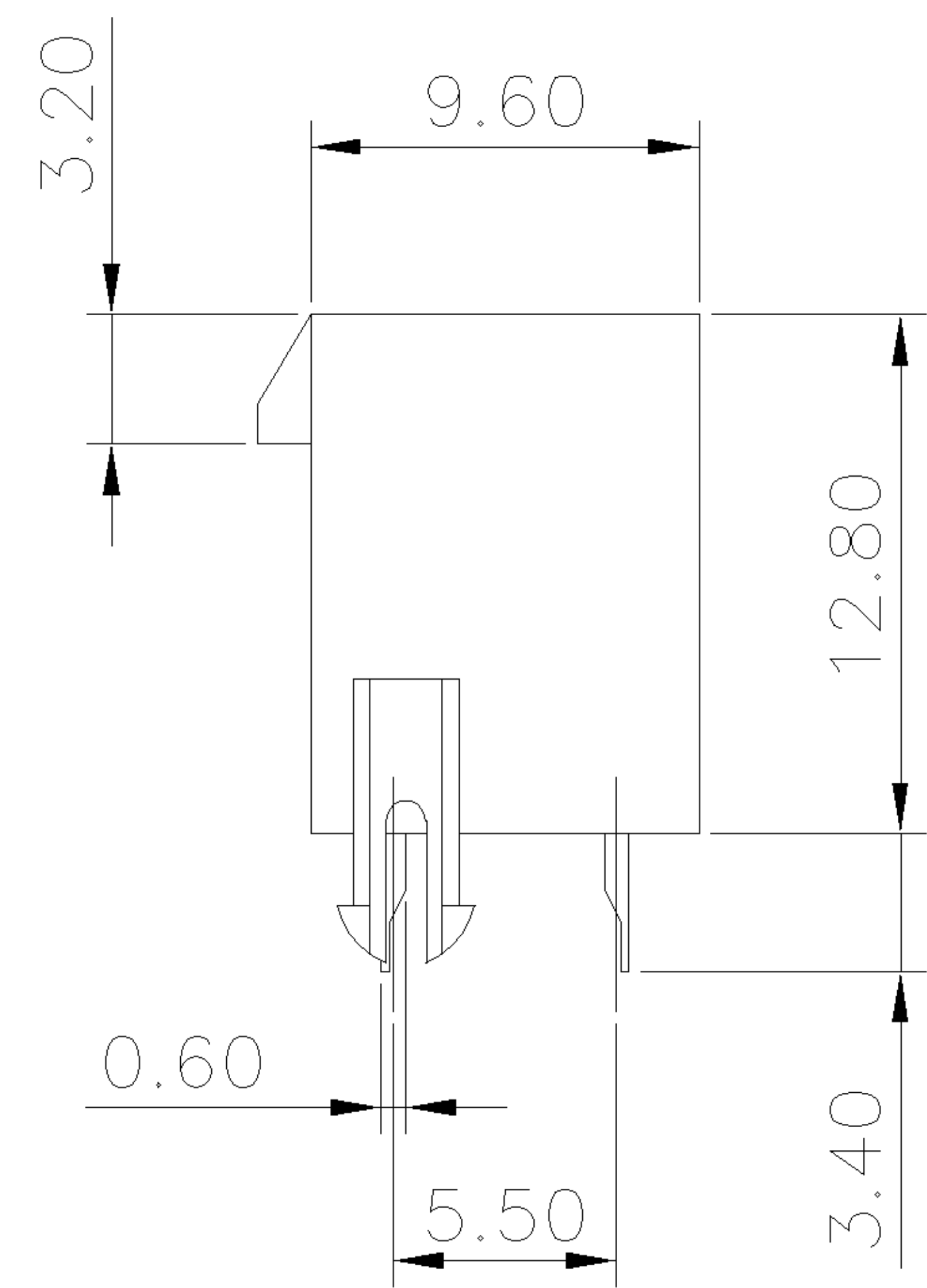
METRIC

THIS INFORMATION IS CONFIDENTIAL AND IS DISCLOSED TO YOU ON CONDITION THAT NO FURTHER DISCLOSURE IS MADE BY YOU TO OTHER THAN AMP PERSONNEL WITHOUT WRITTEN AUTHORIZATION FROM AMP (TAIWAN) LTD. DIMENSIONS IN MILLIMETERS. DO NOT SCALE PRINT.

PRINT
DW



RECOMMENDED P.C BOARD LAYOUT (T=1.6mm)
PCB TOLERANCE: ±0.05



NOTE:

- MATERIAL:
HOUSING: HERMOPLASTIC WITH 30% G/F, UL 94V-0, COLOR: IVORY.
CONTACTS: BRASS.
- FINISH:
CONTACTS: 100μ" MIN. TIN OVER 50μ" MIN. NICKEL OVER ENTIRE CONTACT.
- WAVE SOLDER CAPABLE TO 265°C AS PER TYCO SPEC. 109-202, CONDITION B.
- NO TYCO LOGO AND DATE CODE ON THE PRODUCT.

| | | | | | | |
|--------|-----------|------|------|------|-------------|-------------|
| | 4.14 g | 46.2 | 51.6 | 53.6 | 24 | 3-1775099-8 |
| | 3.8 g | 37.8 | 43.2 | 45.2 | 20 | 3-1775099-7 |
| | 3.35 g | 33.6 | 39.0 | 41.0 | 18 | 3-1775099-6 |
| | 2.59 g | 25.2 | 30.6 | 32.6 | 14 | 3-1775099-5 |
| | 2.17 g | 21.0 | 26.4 | 28.4 | 12 | 3-1775099-4 |
| | 1.83 g | 16.8 | 22.2 | 24.2 | 10 | 3-1775099-3 |
| | 1.55 g | 12.6 | 18.0 | 20.0 | 8 | 3-1775099-2 |
| | 1.23 g | 8.4 | 13.8 | 15.8 | 6 | 3-1775099-1 |
| | 0.9 g | 4.2 | 9.6 | 11.6 | 4 | 3-1775099-0 |
| WEIGHT | DIMENSION | | | POS. | PART NUMBER | |

| | | | | | | |
|--|---------------------------|-----------|--|----------------|------------|-----|
| TOLERANCES UNLESS OTHERWISE SPECIFIED: 0 PLC ±- 1 PLC ±0.3 2 PLC ±0.25 3 PLC ±0.15 ANGLES ±3' | DWN | A. WU | TYCO HOLDINGS (BERMUDA) VII LTD. TAIWAN BRANCH Electronics NAME | | | |
| | CHK | S. HOU | | | | |
| MATERIAL SEE NOTE | APVD | W.J. KE | ATX POWER CONNECTOR VERTICAL, DIP. | | | |
| | PRODUCT SPEC | 108-57560 | | | | |
| FINISH SEE NOTE | QUALIFICATION TEST REPORT | 501-57652 | LOC | SIZE | DRAWING NO | REV |
| | WEIGHT | SEE TABLE | DW | A ₃ | C-1775099 | 0 |
| | | SCALE | | SHEET | | |
| | | -- | | 3 OF 5 | | |

| | | | | | |
|-----|-----------------|-----|-----|-----|------|
| LTR | SEE SHEET 1 | ECN | DWN | CHK | DATE |
| | REVISION RECORD | | | | |

8 7 6 5 4 3 2 1 CUSTOMER DRAWING

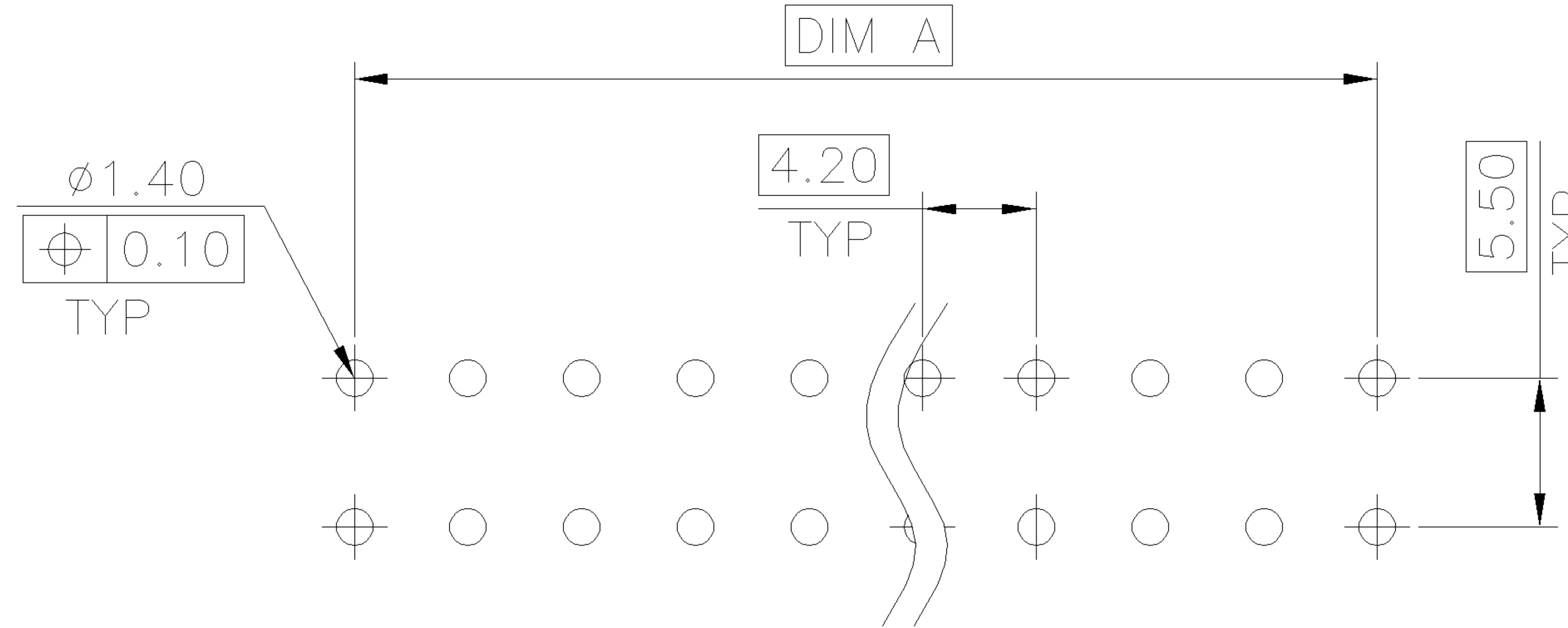
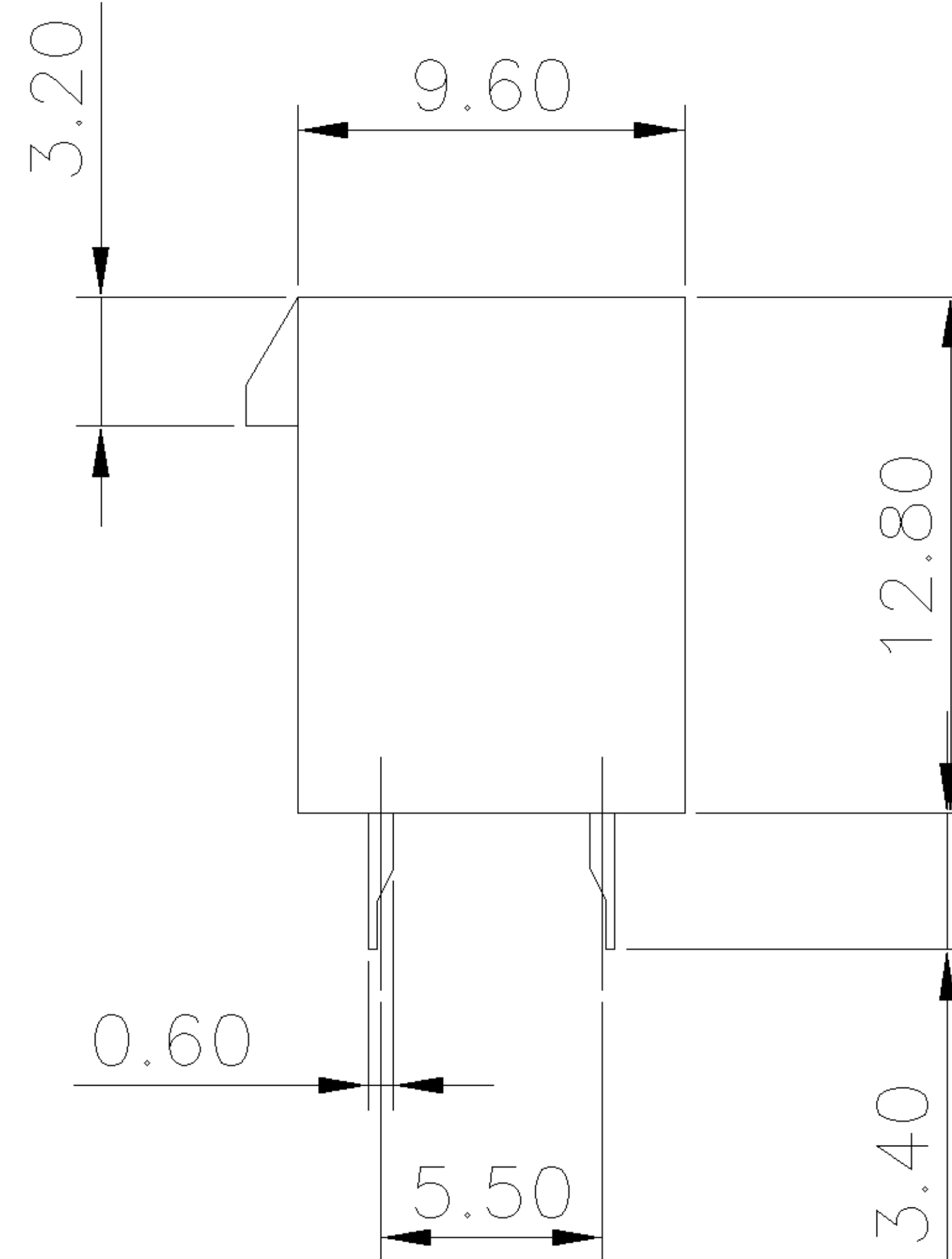
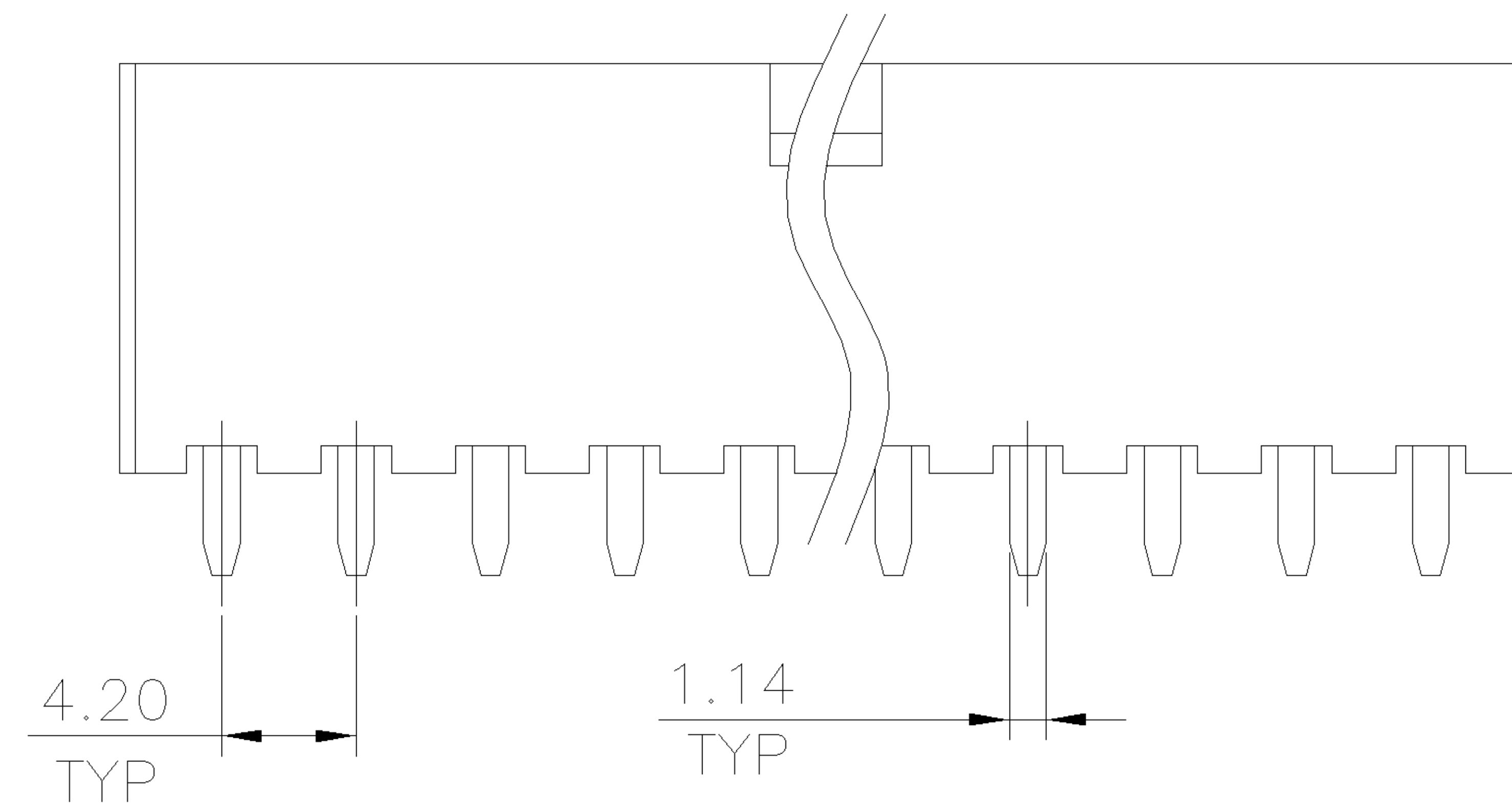
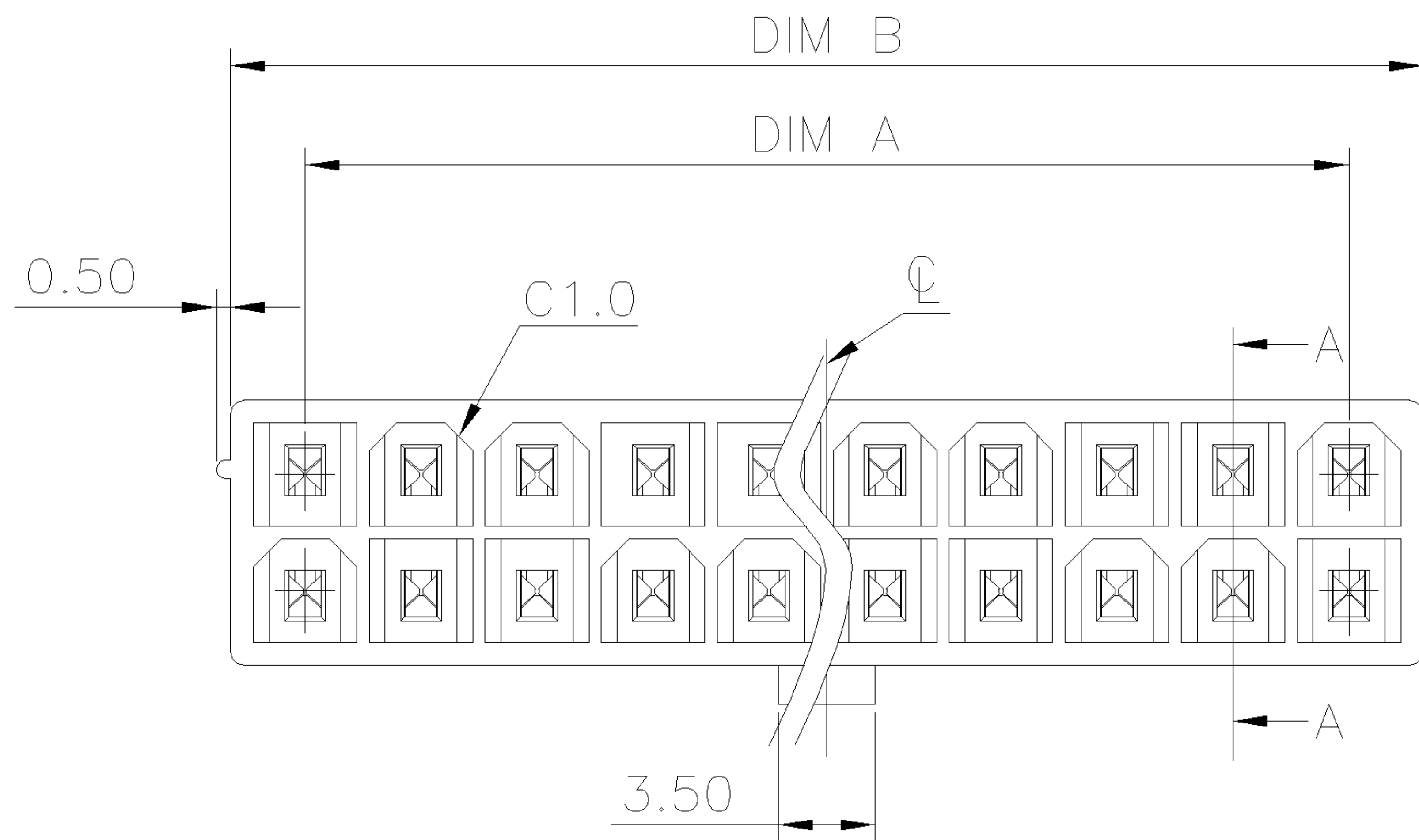
NUMBER
C-1775099

3RD ANGLE PROJECTION

METRIC

THIS INFORMATION IS CONFIDENTIAL AND IS DISCLOSED TO YOU ON CONDITION THAT NO FURTHER DISCLOSURE IS MADE BY YOU TO OTHER THAN AMP PERSONNEL WITHOUT WRITTEN AUTHORIZATION FROM AMP (TAIWAN) LTD. DIMENSIONS IN MILLIMETERS. DO NOT SCALE PRINT.

PRINT DIST
DW



RECOMMENDED P.C BOARD LAYOUT (T=1.6mm)
PCB TOLERANCE: ±0.05

NOTE:

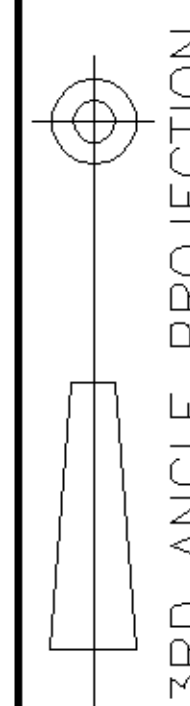
- MATERIAL:
HOUSING: HERMOPLASTIC WITH 30% G/F, UL 94V-0,
COLOR: IVORY.
CONTACTS: BRASS.
- FINISH:
CONTACTS: 100μ" MIN. TIN OVER 50μ" MIN. NICKEL
OVER ENTIRE CONTACT.
- WAVE SOLDER CAPABLE TO 265°C AS
PER TYCO SPEC. 109-202, CONDITION B.
- NO TYCO LOGO AND DATE CODE ON THE PRODUCT.

| WEIGHT | DIMENSION | | POS. | PART NUMBER |
|--------|-----------|------|------|-------------|
| 4.08 g | 46.2 | 51.6 | 24 | 4-1775099-8 |
| 3.53 g | 37.8 | 43.2 | 20 | 4-1775099-7 |
| 3.31 g | 33.6 | 39.0 | 18 | 4-1775099-6 |
| 2.58 g | 25.2 | 30.6 | 14 | 4-1775099-5 |
| 2.17 g | 21.0 | 26.4 | 12 | 4-1775099-4 |
| 1.79 g | 16.8 | 22.2 | 10 | 4-1775099-3 |
| 1.53 g | 12.6 | 18.0 | 8 | 4-1775099-2 |
| 1.19 g | 8.4 | 13.8 | 6 | 4-1775099-1 |
| 0.87 g | 4.2 | 9.6 | 4 | 4-1775099-0 |

| | | |
|--|--|--|
| TOLERANCES UNLESS OTHERWISE SPECIFIED: 0 PLC ±- 1 PLC ±0.3 2 PLC ±0.25 3 PLC ±0.15 ANGLES ±3' | DWN A. WU 01-JUN-2005 | TYCO HOLDINGS (BERMUDA) VII LTD. TAIWAN BRANCH Electronics NAME ATX POWER CONNECTOR VERTICAL, DIP. |
| | CHK S. HOU 01-JUN-2005 | |
| MATERIAL SEE NOTE | APVD W.J. KE 01-JUN-2005 | LOC SIZE DRAWING NO REV DW A ₃ C-1775099 0 SCALE SHEET -- 4 OF 5 |
| FINISH SEE NOTE | PRODUCT SPEC 108-57560 QUALIFICATION TEST REPORT 501-57652 WEIGHT SEE TABLE | |

| | | | |
|-------------|-----------------|------------|------|
| SEE SHEET 1 | ECN | DWN CHK | DATE |
| LTR | REVISION RECORD | | |

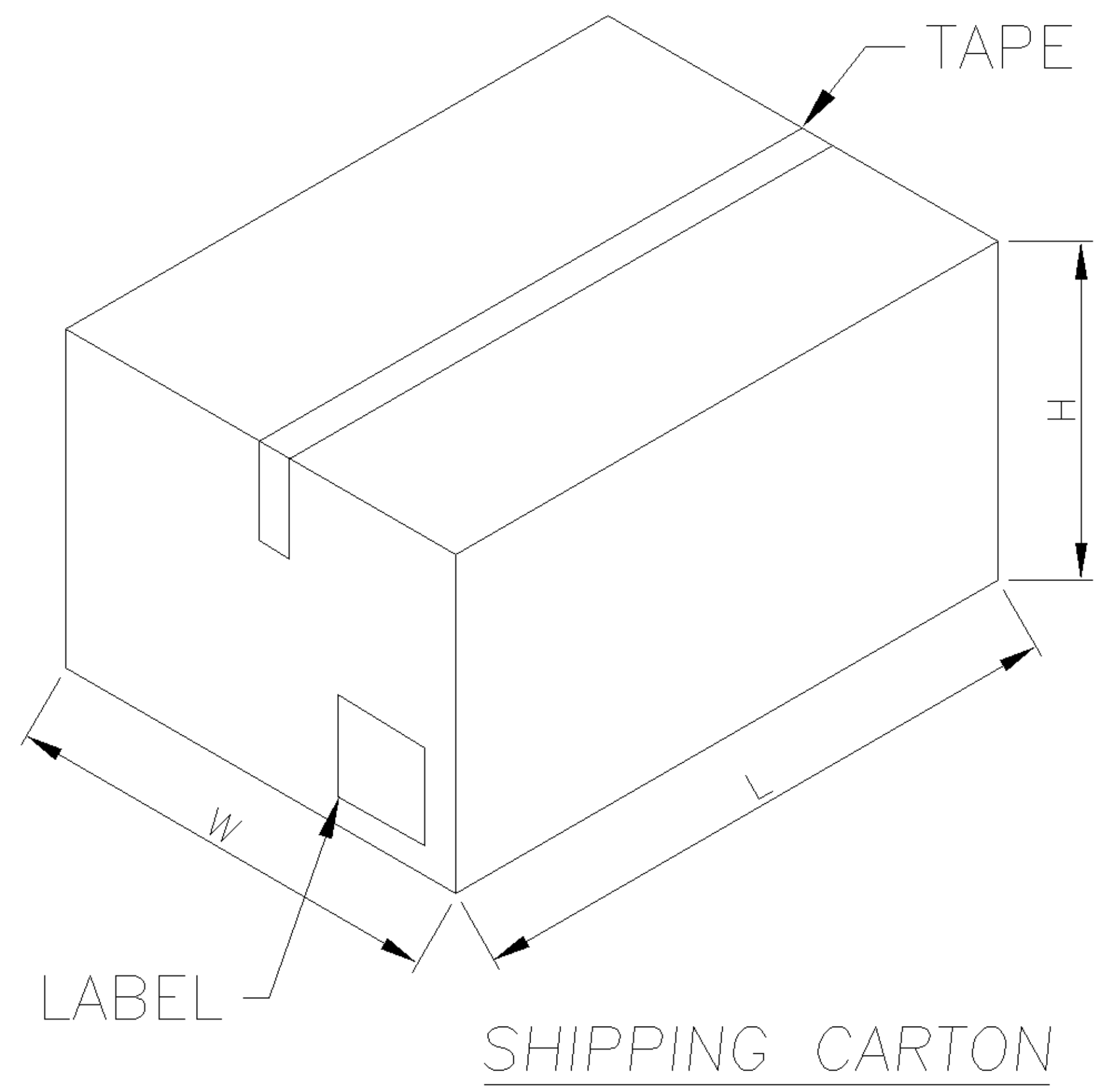
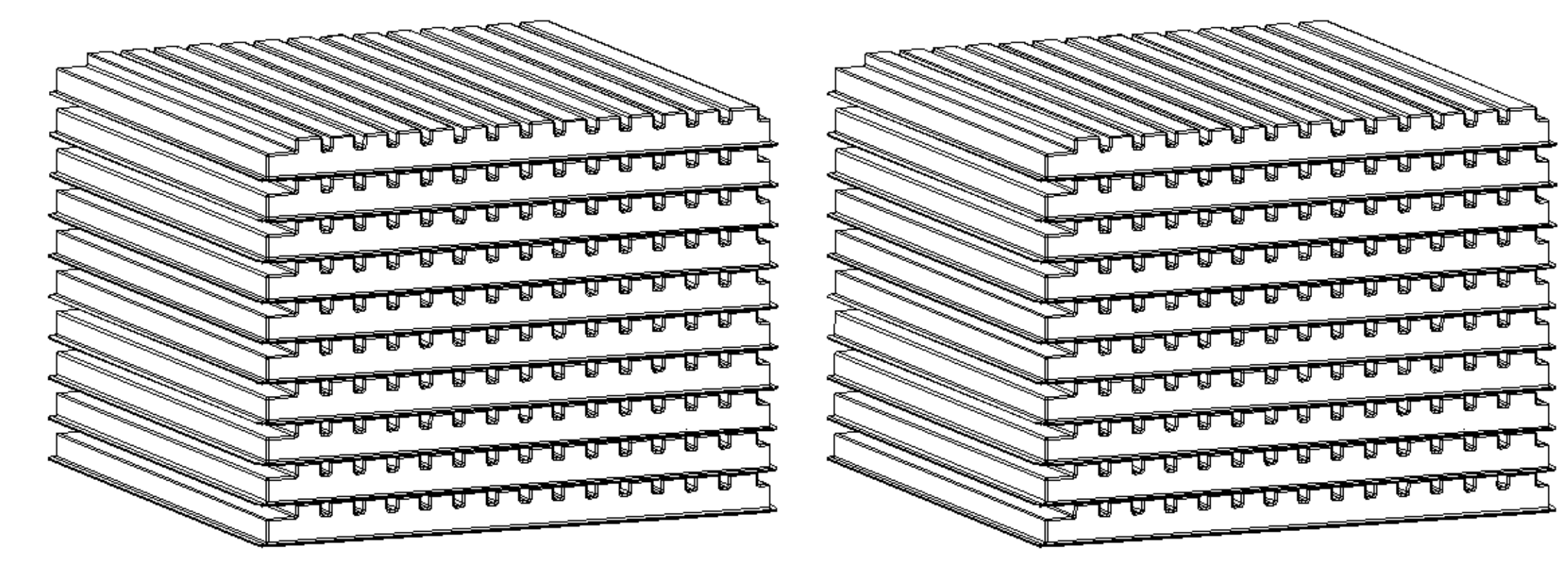
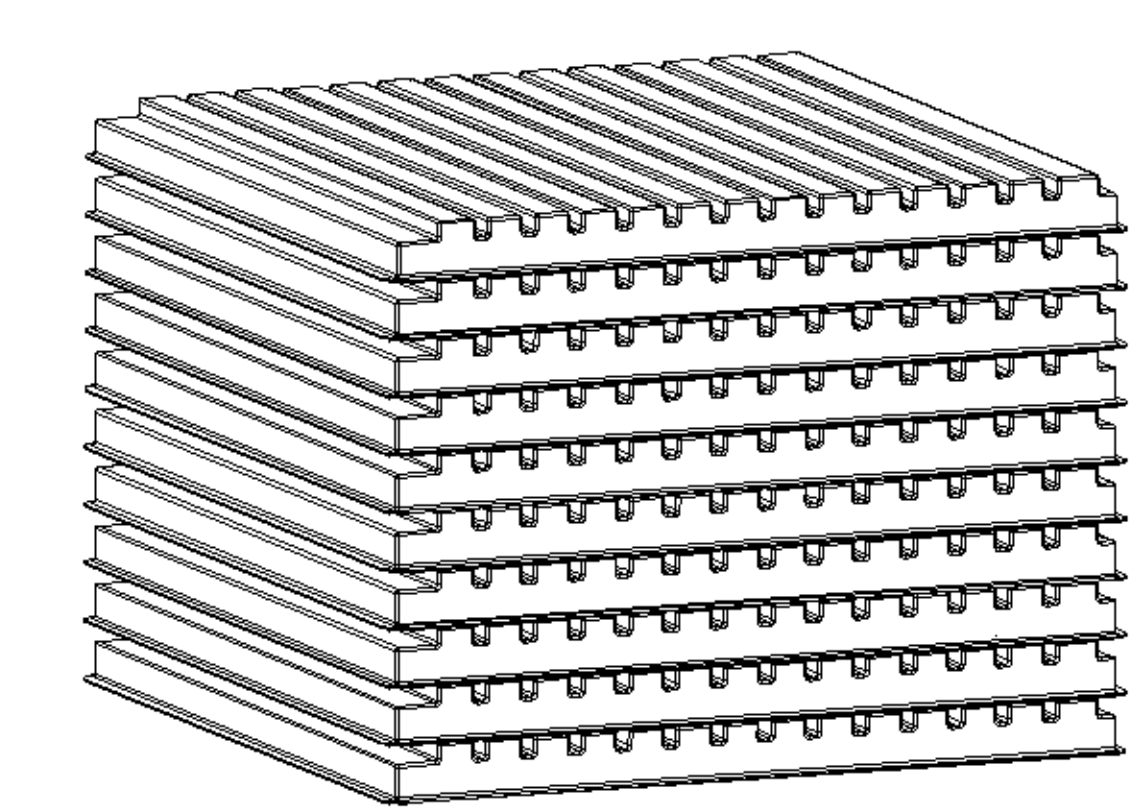
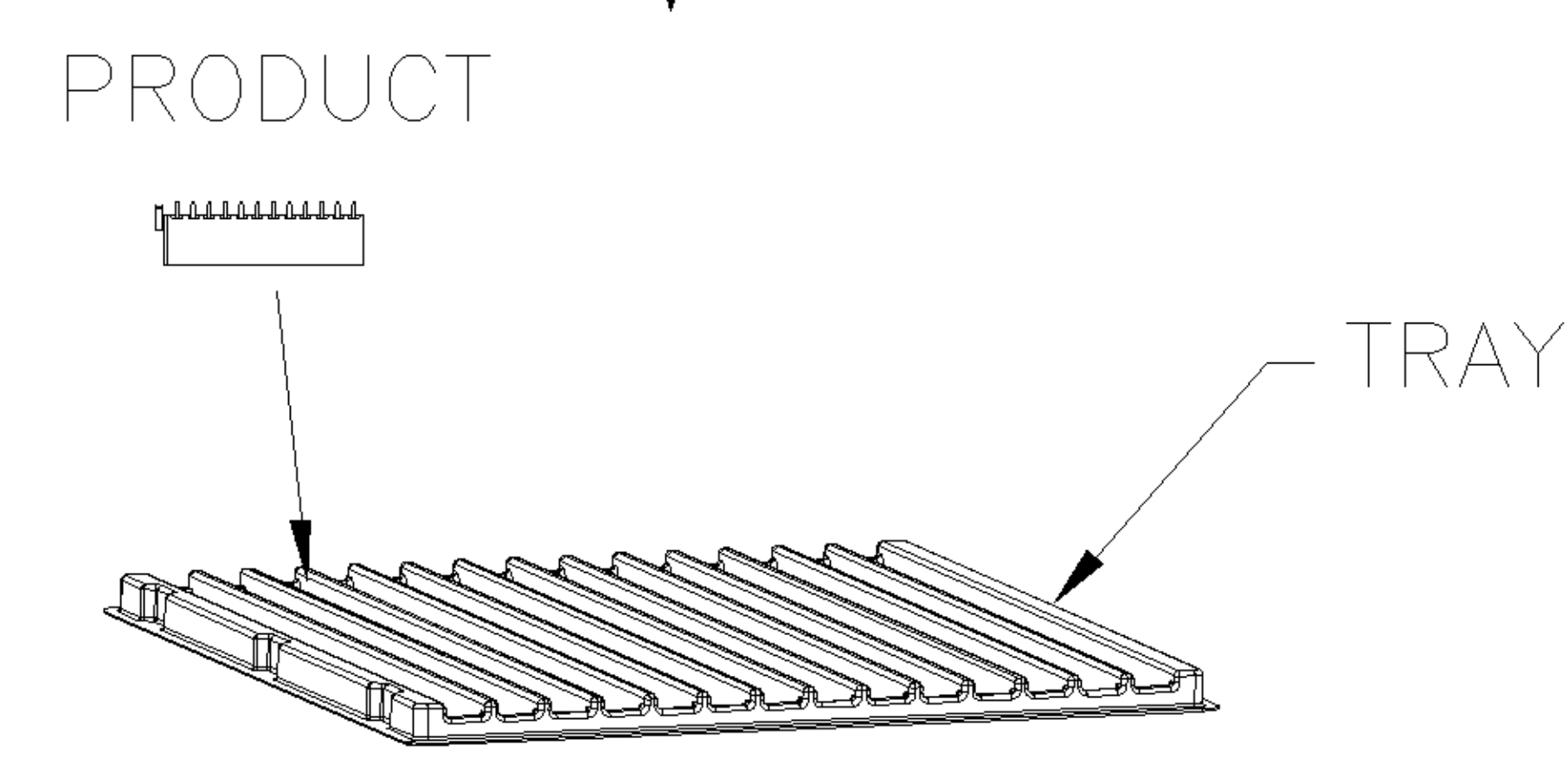
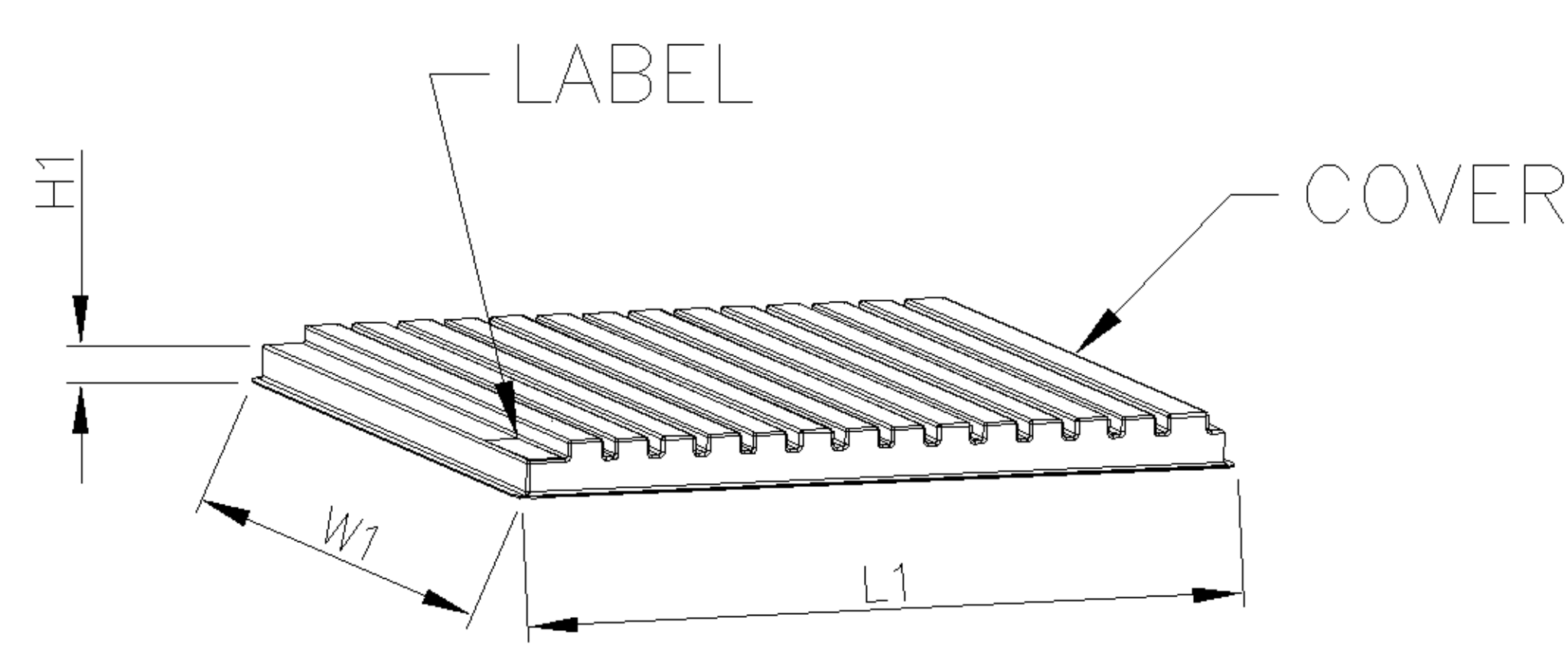
NUMBER C-1775099



METRIC

THIS INFORMATION IS CONFIDENTIAL AND IS DISCLOSED TO YOU ON CONDITION THAT NO FURTHER DISCLOSURE IS MADE BY YOU TO OTHER THAN AMP PERSONNEL WITHOUT WRITTEN AUTHORIZATION FROM AMP (TAIWAN) LTD. DIMENSIONS IN MILLIMETERS. DO NOT SCALE PRINT.

PRINT DW



NOTE:

1. DIMENSION:

A. TRAY DIM: L = 272, W = 268, H = 18
 CARTON DIM: L = 571, W = 292, H = 241

B. (ONLY FOR 20 POS.)

TRAY DIM: L = 262, W = 251, H = 19
 CARTON DIM: L = 540, W = 280, H = 195

2. QUANTITY:

20 TRAYS/CARTON (SEE TABLE)

3. WEIGHT:

(SEE TABLE)

| | | | | |
|--------|--------|----------|---------|----|
| 7.3 KG | 6.3 KG | 1120 PCS | 56 PCS | 24 |
| 8.2 KG | 7.2 KG | 2000 PCS | 100 PCS | 20 |
| 8.3 KG | 7.3 KG | 1680 PCS | 84 PCS | 18 |
| 7.7 KG | 6.7 KG | 1960 PCS | 98 PCS | 14 |
| 8.1 KG | 7.1 KG | 2520 PCS | 126 PCS | 12 |
| 7.7 KG | 6.7 KG | 2800 PCS | 140 PCS | 10 |
| 8.2 KG | 7.2 KG | 3640 PCS | 182 PCS | 8 |
| 8.3 KG | 7.3 KG | 4760 PCS | 238 PCS | 6 |
| 8.6 KG | 7.6 KG | 6720 PCS | 336 PCS | 4 |
| 7.4 KG | 6.4 KG | 1120 PCS | 56 PCS | 24 |
| 8.8 KG | 7.8 KG | 2000 PCS | 100 PCS | 20 |
| 7.4 KG | 6.4 KG | 1400 PCS | 70 PCS | 18 |
| 7.8 KG | 6.8 KG | 1960 PCS | 98 PCS | 14 |
| 7.7 KG | 6.7 KG | 2240 PCS | 112 PCS | 12 |
| 7.4 KG | 6.4 KG | 2520 PCS | 126 PCS | 10 |
| 7.6 KG | 6.6 KG | 3080 PCS | 154 PCS | 8 |
| 7.7 KG | 6.7 KG | 3920 PCS | 196 PCS | 6 |
| 7.6 KG | 6.6 KG | 5320 PCS | 266 PCS | 4 |
| 6.3 KG | 7.3 KG | 1120 PCS | 56 PCS | 24 |
| 8.6 KG | 7.6 KG | 2000 PCS | 100 PCS | 20 |
| 8.4 KG | 7.4 KG | 1680 PCS | 84 PCS | 18 |
| 7.8 KG | 6.8 KG | 1960 PCS | 98 PCS | 14 |
| 7.6 KG | 6.6 KG | 2240 PCS | 112 PCS | 12 |
| 7.8 KG | 6.8 KG | 2800 PCS | 140 PCS | 10 |
| 7.5 KG | 6.5 KG | 3080 PCS | 154 PCS | 8 |
| 8.2 KG | 7.2 KG | 4480 PCS | 224 PCS | 6 |
| 8.6 KG | 7.6 KG | 6160 PCS | 308 PCS | 4 |

| G.W | N.W | PCS/CARTON | PCS/TRAY | POS. | NO. OF BOARDLOCKS |
|-----|-----|------------|----------|------|-------------------|
|-----|-----|------------|----------|------|-------------------|

| | | | | | |
|---|---------------------------|-------------|--|----------------|------------|
| TOLERANCES UNLESS OTHERWISE SPECIFIED: 0 PLC ±- 1 PLC ±- 2 PLC ±- 3 PLC ±- ANGLES ±- | DWN | A. WU | tyco TYCO HOLDINGS (BERMUDA) VII LTD. TAIWAN BRANCH | | |
| | | 01-JUN-2005 | | | |
| MATERIAL | CHK | S. HOU | NAME | | |
| | | 01-JUN-2005 | | | |
| FINISH | APVD | W.J. KE | ATX POWER CONNECTOR VERTICAL, DIP. | | |
| | | 01-JUN-2005 | | | |
| - | PRODUCT SPEC | - | LOC | SIZE | DRAWING NO |
| | QUALIFICATION TEST REPORT | - | DW | A ₃ | C-1775099 |
| - | WEIGHT | - | SCALE | - | REV |
| | | | | | O |
| | | | SHEET | | 5 OF 5 |

| | | | | |
|-------------|-----------------|-----|------|-----|
| SEE SHEET 1 | | | | |
| LTR | REVISION RECORD | ECN | DWN | CHK |
| | | | DATE | |