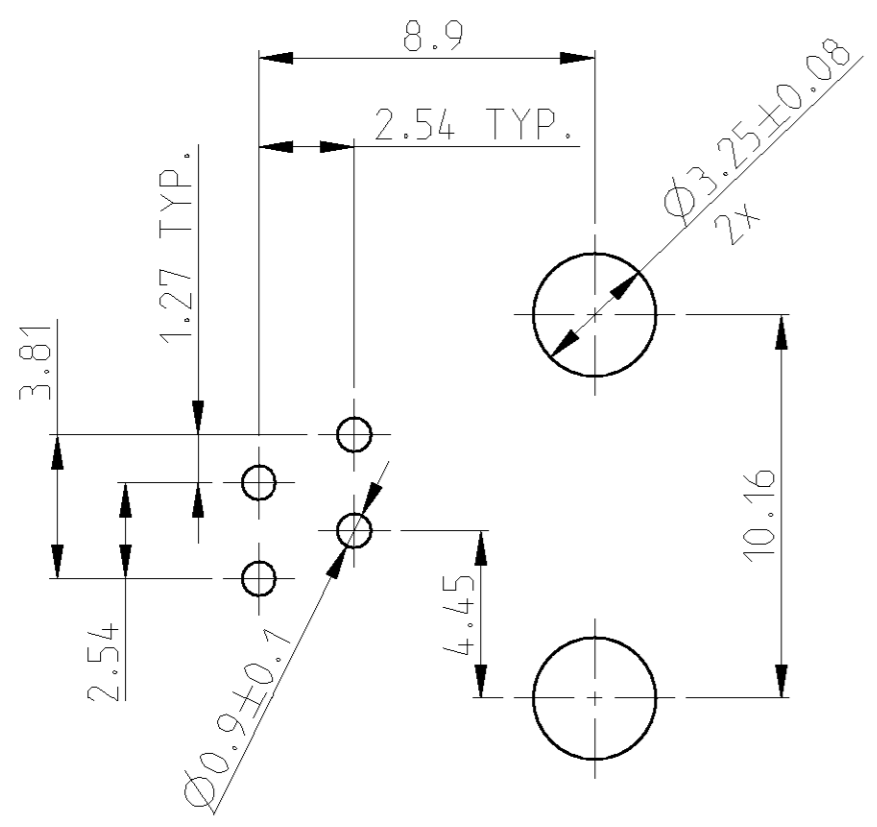
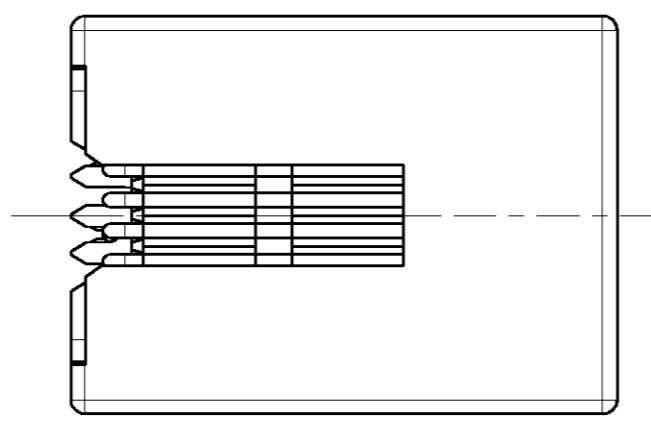
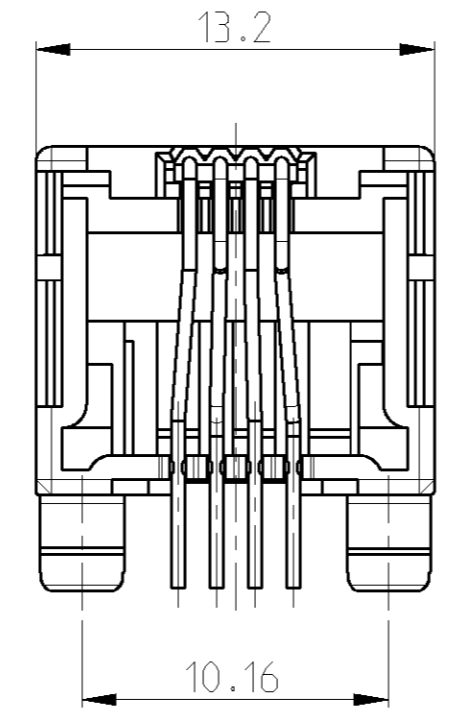
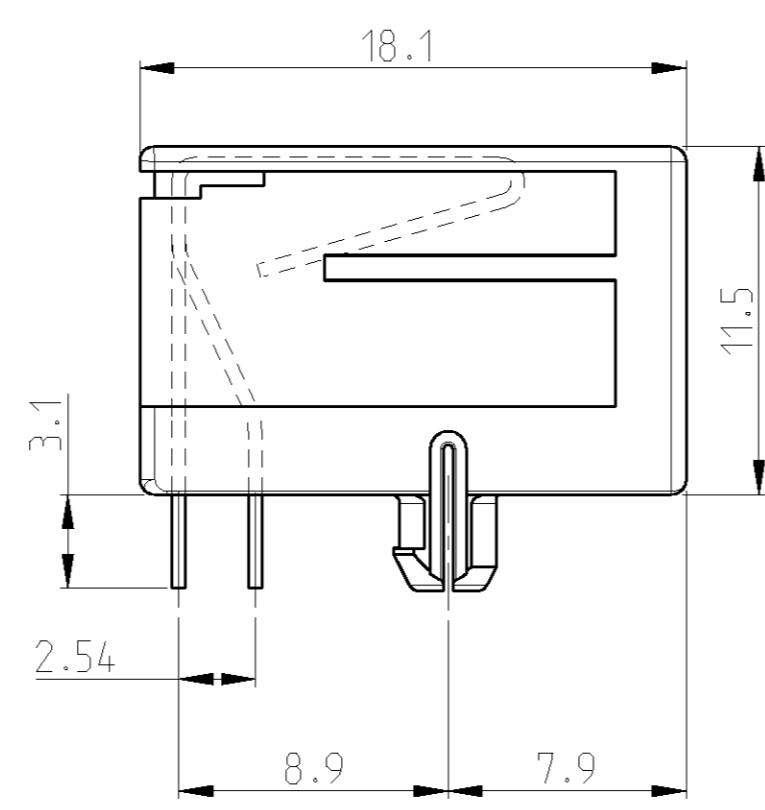
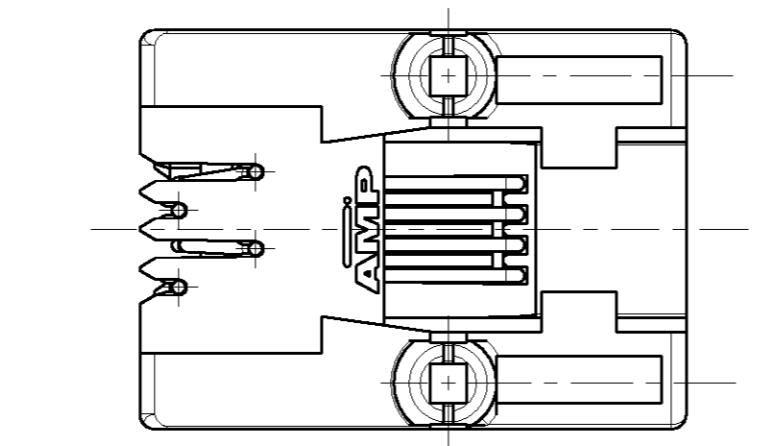
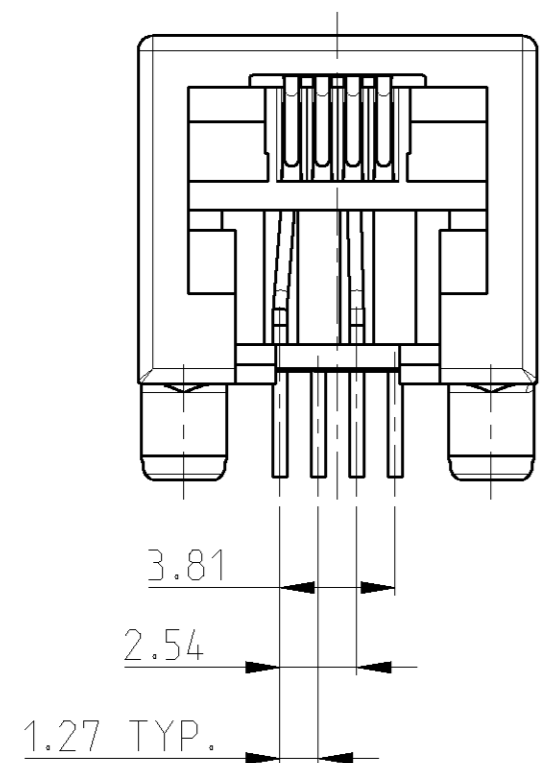


LOC	DIST	REVISIONS			
P	LTR	DESCRIPTION	DATE	DWN	APVD
GW	-	SEE SHEET 1	-	-	-

- 1 SEE SHEET 1 FOR MODULAR JACK 6 POS./6 CONTACTS.
- 2 FOR APPLICATION INFORMATION SEE AMP SPEC. 114-19019.
- 3 TOLERANCES UNLESS OTHERWISE SPECIFIED:  $\pm 0.15$ .



PRINTED CIRCUIT BOARD LAYOUT (6 POS./4 CONTACT)

[VIEW SHOWN IS CIRCUIT (NONCOMPONENT) SIDE OF BOARD]  
 PRINTED CIRCUIT BOARD THICKNESS: 1,6 mm NOMINAL.  
 TOLERANCES UNLESS OTHERWISE SPECIFIED:  $\pm 0.05$ .

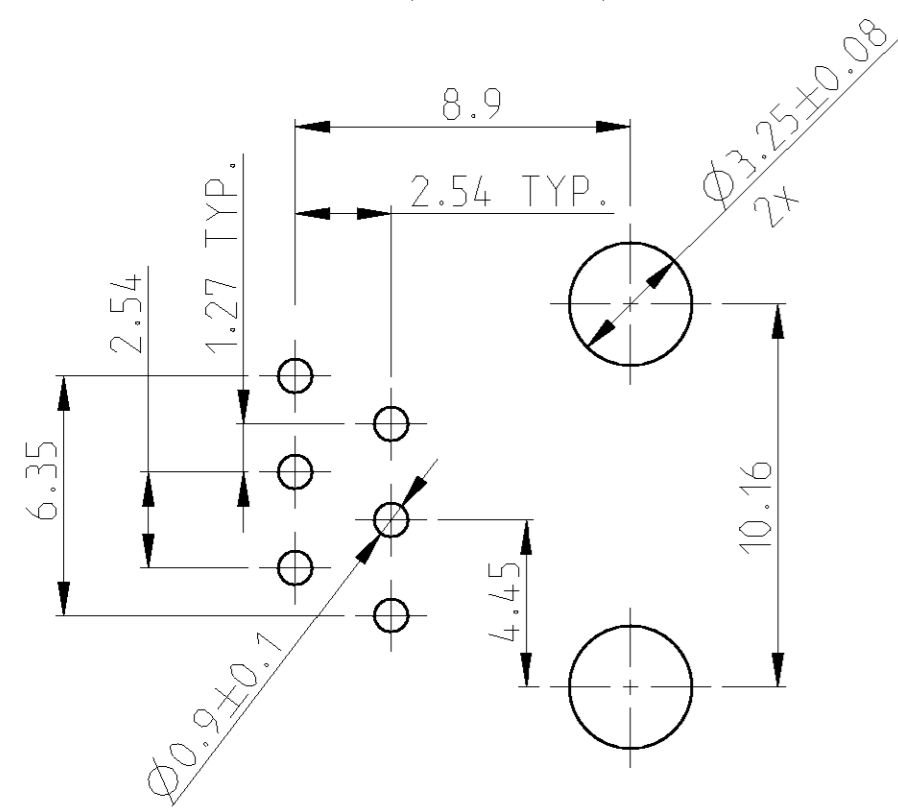
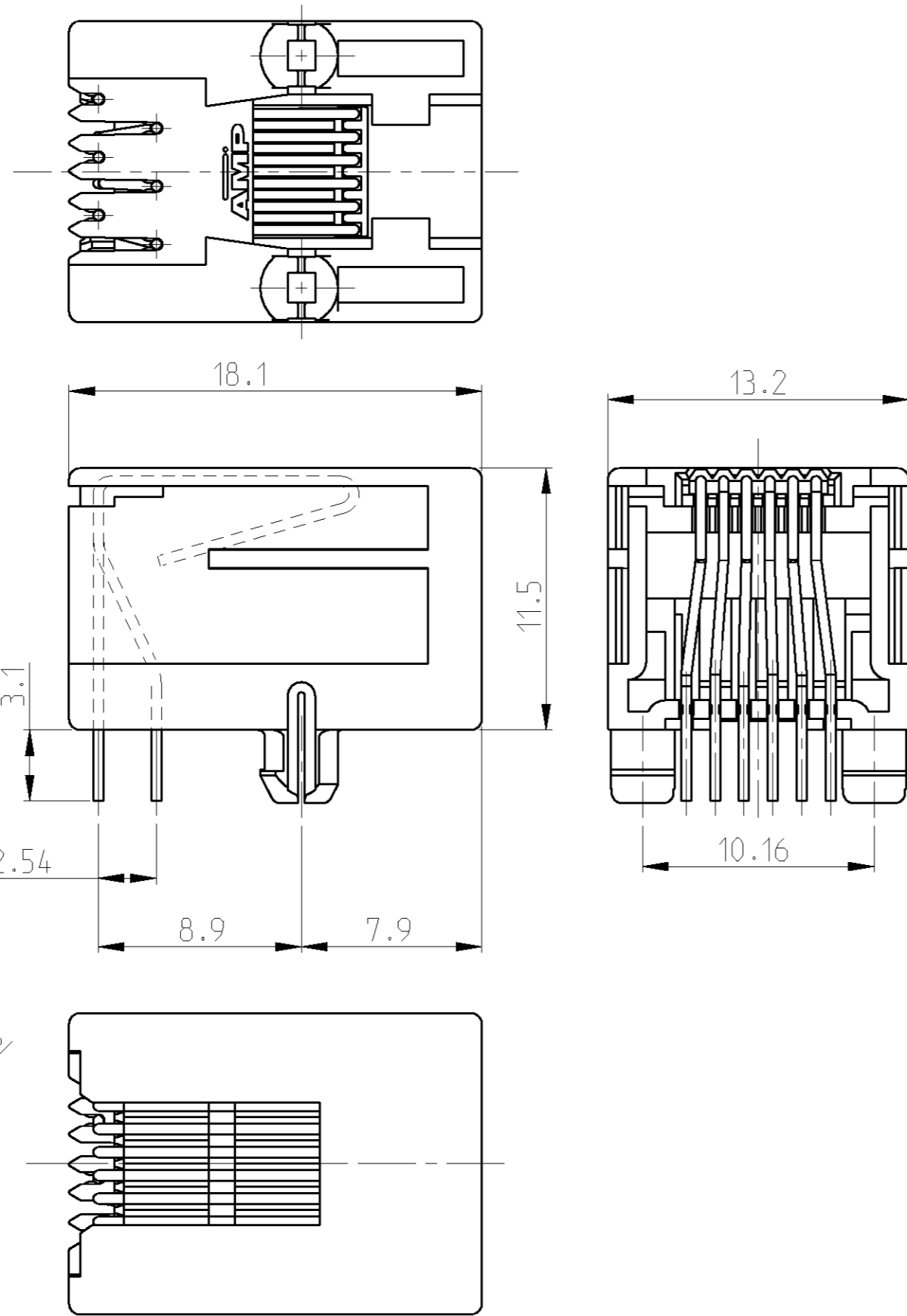
240 PIECES IN A TRAY	6 POS./ 4 CONTACTS	IN CONTACT AREA: 0,15 $\mu$ m MIN. SEL. GOLD OVER 1,2 $\mu$ m MIN. NICKEL	HOUSING COLOR BLACK: PBT, UL 94 V-0	1-1705950-2
TAPE MOUNTED 800 PCS/REEL		SOLDER TINES: 2,5 $\mu$ m MIN. TIN OVER 1,2 $\mu$ m MIN. NICKEL	CONTACT INSERT: PBT, UL 94 V-0	1705950-2
PACKAGING	REMARKS	FINISH	MATERIAL	P/N

<small>THIS DRAWING IS A CONTROLLED DOCUMENT FOR TYCO ELECTRONICS CORPORATION          IT IS SUBJECT TO CHANGE AND THE CONTROLLING ENGINEERING ORGANIZATION          SHOULD BE CONTACTED FOR THE LATEST REVISION.</small>		DWN J.V.D.HEIJDEN 14 FEB 05 CHK P.WILLEMS 14 FEB 05 APVD J.BROEKSTEEG 14 FEB 05	<b>tyco</b> <b>Electronics</b> Tyco Electronics Oostkamp - Belgium
DIMENSIONS: mm 	TOLERANCES UNLESS OTHERWISE SPECIFIED: 0 PLC $\pm$ 1 PLC $\pm$ 2 PLC $\pm$ 3 PLC $\pm$ 4 PLC $\pm$ ANGLES $\pm$ FINISH -	PRODUCT SPEC - APPLICATION SPEC 114-19019 WEIGHT - CUSTOMER DRAWING	NAME MODULAR JACK, SIDE ENTRY, 6/4 FOR PRINTED CIRCUIT BOARD SIZE A2 CAGE CODE 00779 DRAWING NO. 1705950 RESTRICTED TO - SCALE 4:1 SHEET 2 OF 2 REV A

THIS DRAWING IS UNPUBLISHED. RELEASED FOR PUBLICATION 2000  
 © COPYRIGHT 2000 BY TYCO ELECTRONICS CORPORATION. ALL RIGHTS RESERVED.

LOC	DIST	REVISIONS			
P	LTR	DESCRIPTION	DATE	DWN	APVD
GW	-	A	EH10-0183-05	10 FEB 05	JvdH JB

- 1 SEE SHEET 2 FOR MODULAR JACK 6 POS./4 CONTACTS
- 2 FOR APPLICATION INFORMATION SEE AMP SPEC. 114-19019.
- 3 TOLERANCES UNLESS OTHERWISE SPECIFIED: ± 0,15mm.



PRINTED CIRCUIT BOARD LAYOUT (6 POS./6 CONTACTS)

[VIEW SHOWN IS CIRCUIT (NONCOMPONENT) SIDE OF BOARD]  
 PRINTED CIRCUIT BOARD THICKNESS: 1,6 mm NOMINAL.  
 TOLERANCES UNLESS OTHERWISE SPECIFIED: ± 0,05

240 PIECES IN A TRAY	6 POS./6 CONTACTS.	IN CONTACT AREA: 0,15 µm MIN. SEL. GOLD OVER 1,2 µm MIN. NICKEL.	HOUSING COLOR BLACK PBT, UL 94 V-0	1-1705950-1
TAPE MOUNTED 800 PCS/REEL		SOLDER TINNES: 2,5 µm MIN. TIN OVER 1,2 µm MIN. NICKEL.	CONTACT INSERT: PBT,UL 94 V-0	1705950-1
PACKAGING	REMARKS	FINISH	MATERIAL	P/N

<small>THIS DRAWING IS A CONTROLLED DOCUMENT FOR TYCO ELECTRONICS CORPORATION          IT IS SUBJECT TO CHANGE AND THE CONTROLLING ENGINEERING ORGANIZATION          SHOULD BE CONTACTED FOR THE LATEST REVISION.</small>		DWN J.V.D.HEIJDEN 14 FEB 05 CHK P.WILLEMS 14 FEB 05 APVD J.BROEKSTEEG 14 FEB 05	<b>tyco</b> <b>Electronics</b> Tyco Electronics Oostkamp - Belgium
DIMENSIONS: mm 	TOLERANCES UNLESS OTHERWISE SPECIFIED: 0 PLC ± 1 PLC ±0.1 2 PLC ±0.01 3 PLC ±0.001 4 PLC ±0.0001 ANGLES ± FINISH -	PRODUCT SPEC - APPLICATION SPEC 114-19019 WEIGHT - CUSTOMER DRAWING	NAME MODULAR JACK, SIDE ENTRY, 6/6 FOR PRINTED CIRCUIT BOARD SIZE A2 CAGE CODE 00779 DRAWING NO. C-1705950 RESTRICTED TO - SCALE 4:1 SHEET 1 OF 2 REV A