

SAIE-M23-L-HW**Weidmüller Interface GmbH & Co. KG**

Klingenbergstraße 16

D-32758 Detmold

Germany

Fon: +49 5231 14-0

Fax: +49 5231 14-292083

www.weidmueller.com



The M23 round plug-in connectors offer a high number of mating cycles, high current-carrying capacity and high contact-density coupled with minimum dimensions. Enclosures, inserts and crimp contacts need to be ordered separately.

General ordering data

Type	SAIE-M23-L-HW
Order No.	1170340000
Version	Sensor/Actuator plug-in connector, Built-in plugs, Empty enclosure
GTIN (EAN)	4032248962297
Qty.	1 pc(s).

SAIE-M23-L-HW

Weidmüller Interface GmbH & Co. KG
 Klingenbergstraße 16
 D-32758 Detmold
 Germany
 Fon: +49 5231 14-0
 Fax: +49 5231 14-292083
 www.weidmueller.com

Technical data

Dimensions and weights

Net weight 26 g

Temperatures

Operating temperature, max. 125 °C Operating temperature, min. -40 °C

Environmental Product Compliance

REACH SVHC Lead 7439-92-1

Standards

Certificate No. (UR) E344862

General data

Conductor O.D. -

Classifications

ETIM 5.0	EC002635	ETIM 6.0	EC000437
eClass 6.2	27-06-91-90	eClass 7.1	27-06-91-90
eClass 8.1	27-06-91-90	eClass 9.0	27-06-91-90
eClass 9.1	27-44-02-02		

Product information

Product information Enclosures, inserts and crimp contacts need to be ordered separately.

Approvals

Approvals



ROHS Conform

Downloads

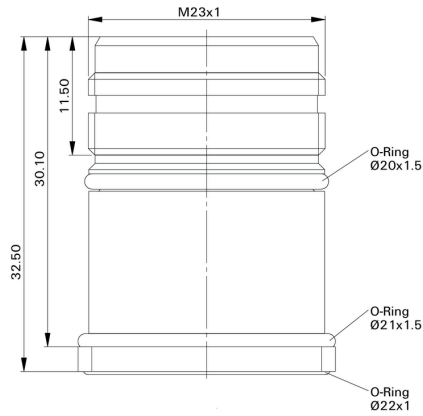
Brochure/Catalogue [CAT 8 SAI 15/16 EN](#)
[FL FIELDWIRING EN](#)

SAIE-M23-L-HW

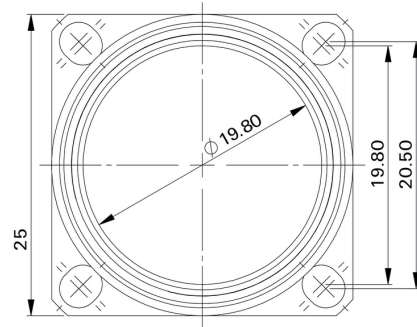
Weidmüller Interface GmbH & Co. KG
Klingenbergstraße 16
D-32758 Detmold
Germany
Fon: +49 5231 14-0
Fax: +49 5231 14-292083
www.weidmueller.com

Drawings

Dimensioned drawing



Dimensioned drawing



Device connector

F

