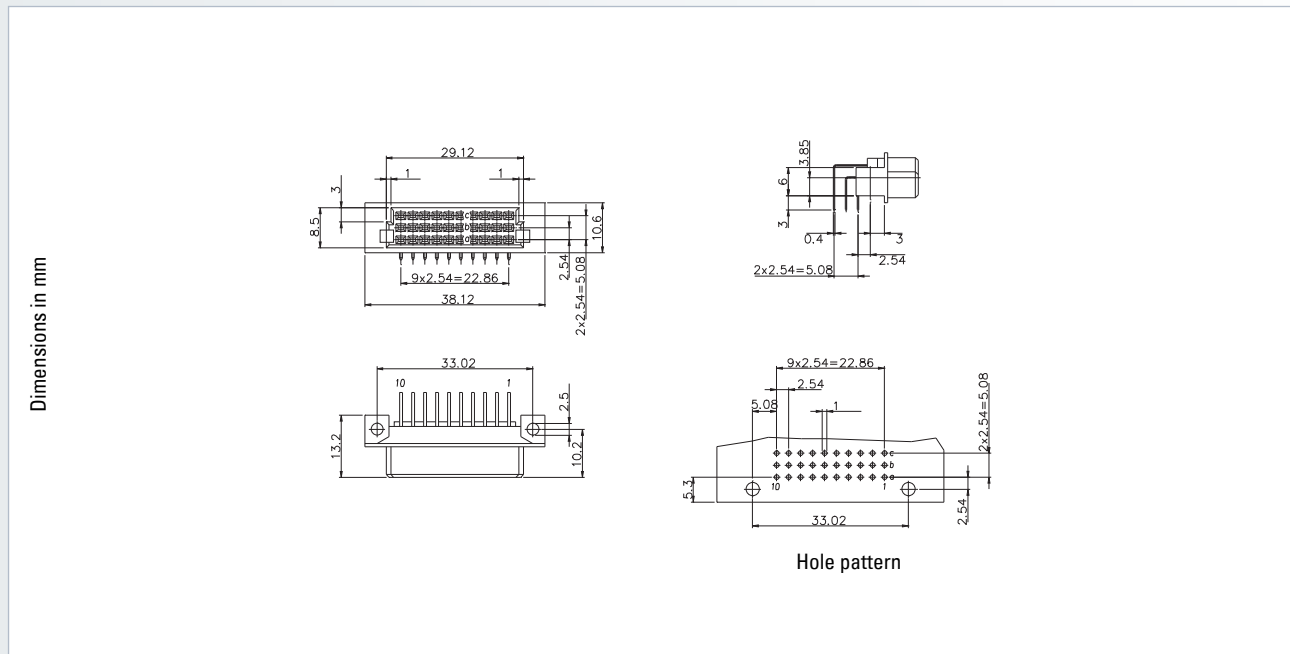
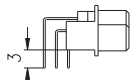
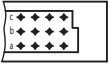


## Connectors according to DIN 41612 / IEC 60603-2

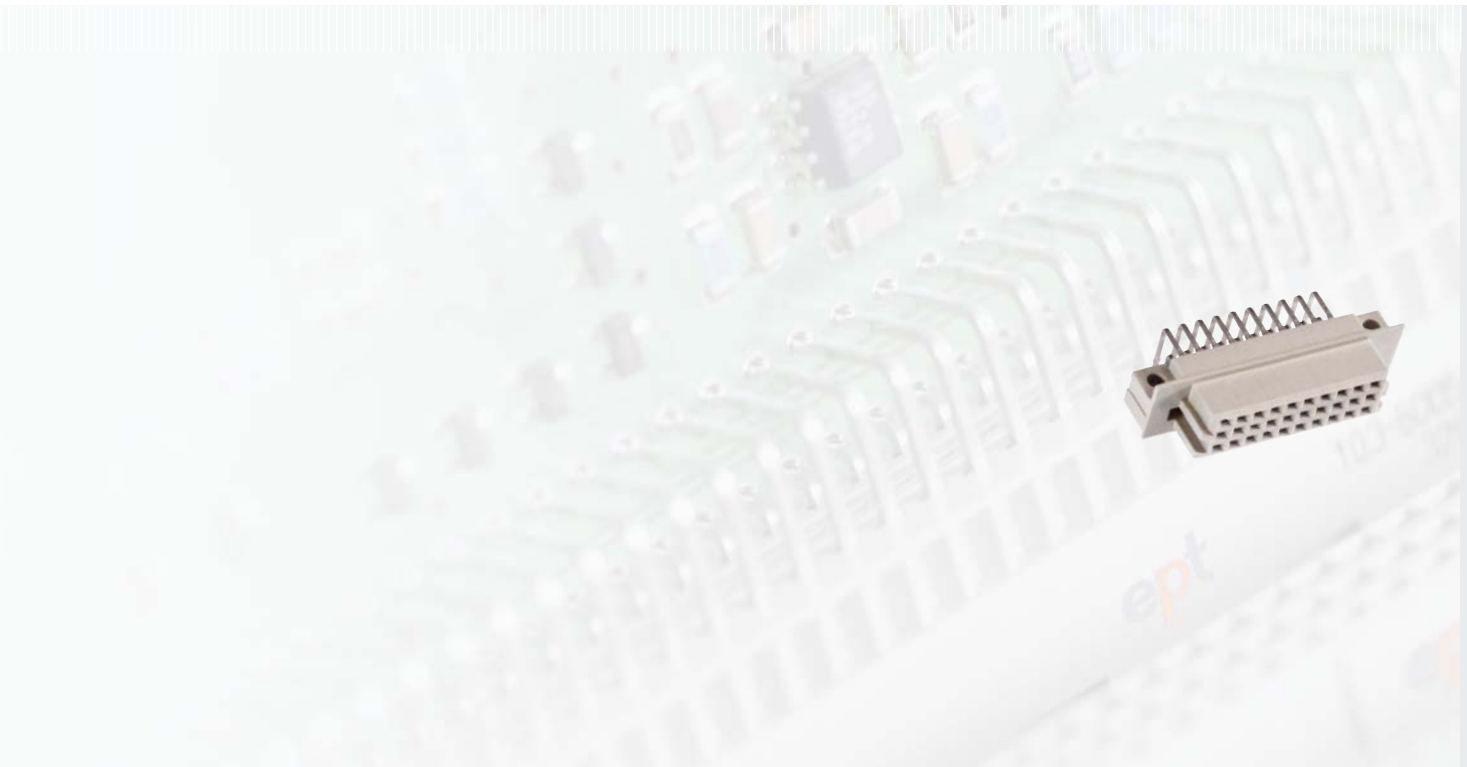
### Type R/3

Female connector



No. of contacts	Contact arrangement	Press-fit technology – Performance level II
		Termination length
		
		Part number
30		116-68064

Accessories	On request	Options
<ul style="list-style-type: none"> <li>– Press-fit tool (see page 210)</li> <li>– Support tool (see page 211)</li> </ul>	<ul style="list-style-type: none"> <li>– Performance levels I + III or customer-specific</li> <li>– Special contact length</li> </ul>	<ul style="list-style-type: none"> <li>– Without flange</li> <li>– Contact arrangement (see page 162)</li> </ul>



No. of contacts	Contact arrangement	Solder technology – Performance level II
		Termination length
		Part number
30		116-80064

**On request**

- Performance levels I + III or customer-specific
- Special contact length
- Also in THTR

**Options**

- Board lock (see page 159)
- Contact arrangement (see page 162)