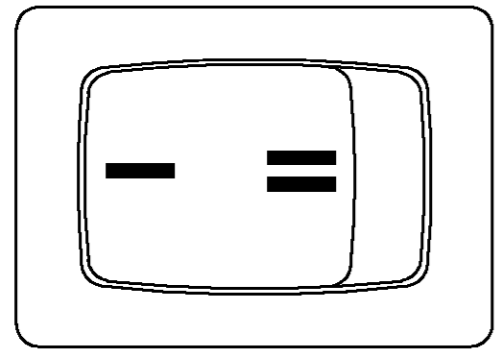
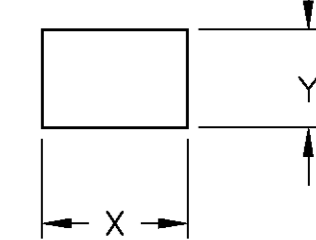


THIS DRAWING IS UNPUBLISHED. RELEASED FOR PUBLICATION
 © COPYRIGHT BY TYCO ELECTRONICS CORPORATION. ALL RIGHTS RESERVED.

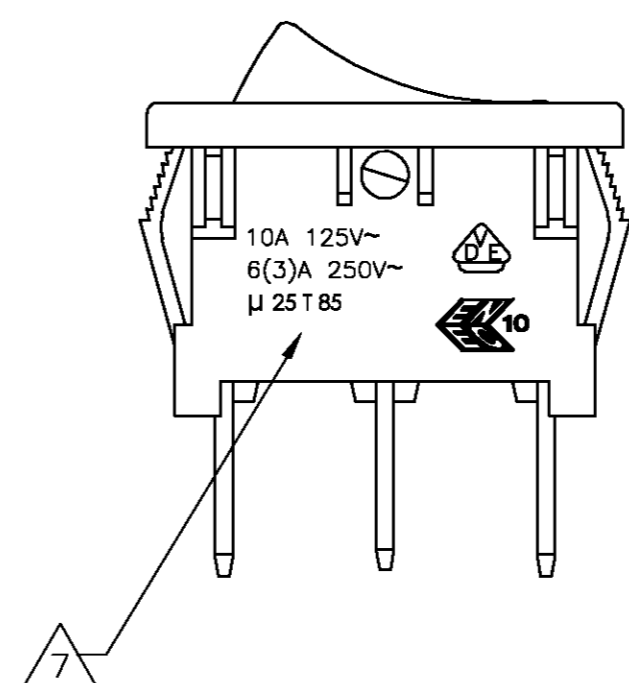
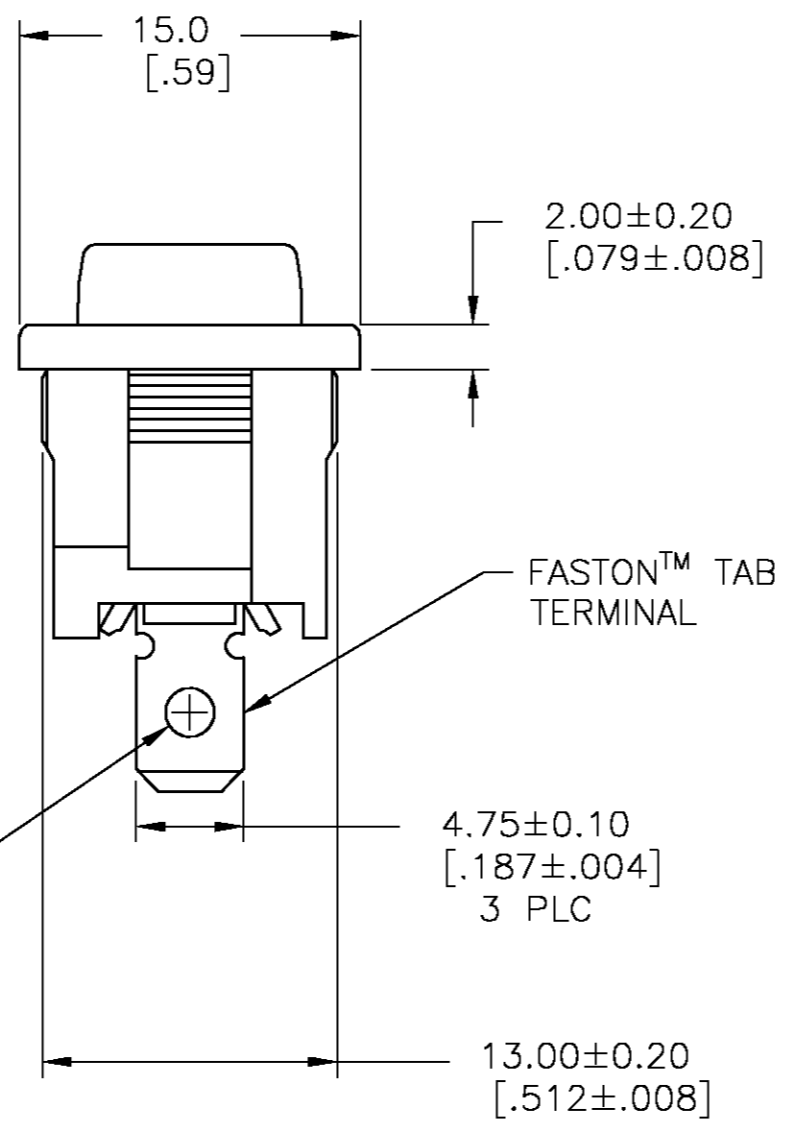
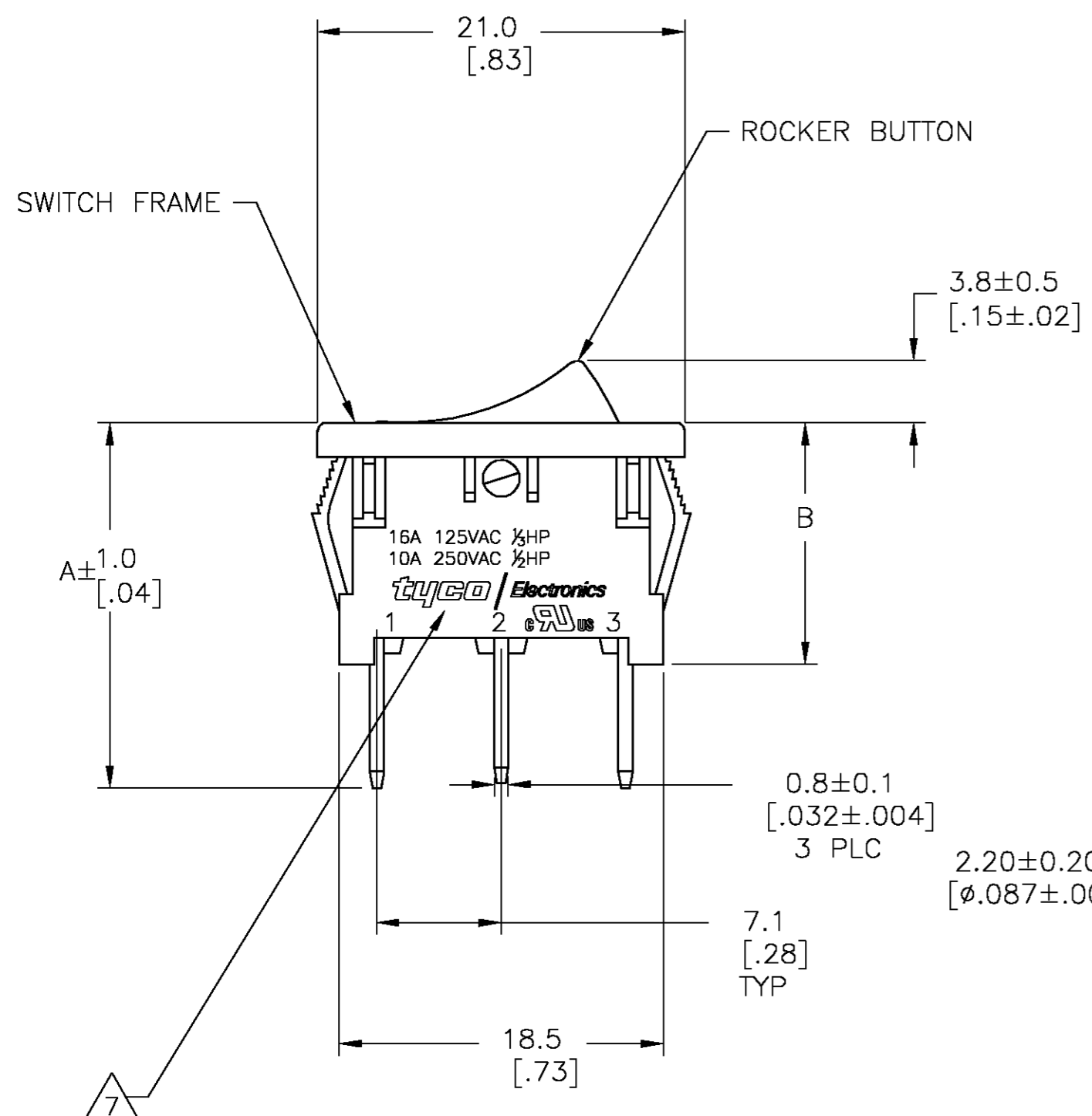
LOC		DIST		REVISIONS			
P	LTR	DESCRIPTION	DATE	DWN	APVD		
K		REV PER 0G3C-0349-04	20JUL04	RB	DR		



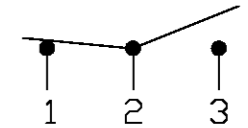
PANEL CUT OUT



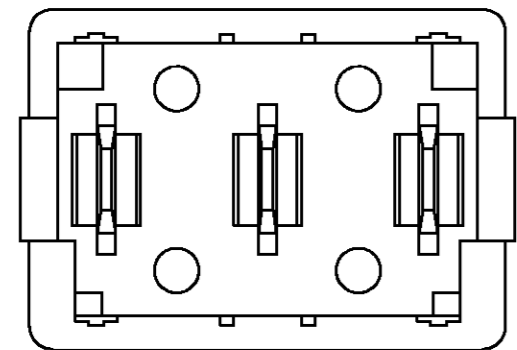
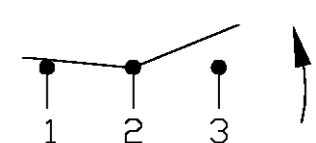
2.00-3.00 [.079-.118]	19.8-0.1 [.780-.004]	13.0+0.1 [.512+.004]
1.25-2.00 [.049-.079]	19.4-0.1 [.764-.004]	13.0+0.1 [.512+.004]
0.75-1.25 [.030-.049]	19.2-0.1 [.756-.004]	13.0+0.1 [.512+.004]
PANEL THICKNESS	X	Y



SWITCH FUNCTION D1
CIRCUIT DIAGRAM



SWITCH FUNCTION D2
CIRCUIT DIAGRAM

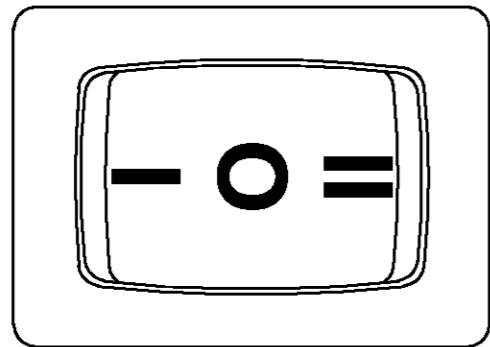


1571079-5 SHOWN
(TWO ROCKER BUTTON POSITIONS)

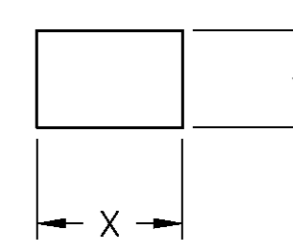
THIS DRAWING IS A CONTROLLED DOCUMENT.		DWN M.BINNER 25FEB2002	Tyco Electronics Corporation Harrisburg, PA 17057	
DIMENSIONS: MM		CHK J.MOSIER	NAME	
TOLERANCES UNLESS OTHERWISE SPECIFIED:		APVD	PRODUCT SPEC	
0 PLC ± -	1 PLC ± 0.30 [.012]	NOT APPLICABLE		
2 PLC ± 0.05 [.002]	3 PLC ± -	APPLICATION SPEC		
4 PLC ± -	ANGLES ± -	NOT APPLICABLE		
FINISH	FINISH	WEIGHT	SIZE A2	CAGE CODE 00779
MATERIAL		DRAWING NO. C=1571079		RESTRICTED TO
CUSTOMER DRAWING		SCALE 3:1		SHEET 1 OF 3 REV K

THIS DRAWING IS UNPUBLISHED. RELEASED FOR PUBLICATION
 © COPYRIGHT BY TYCO ELECTRONICS CORPORATION. ALL RIGHTS RESERVED.

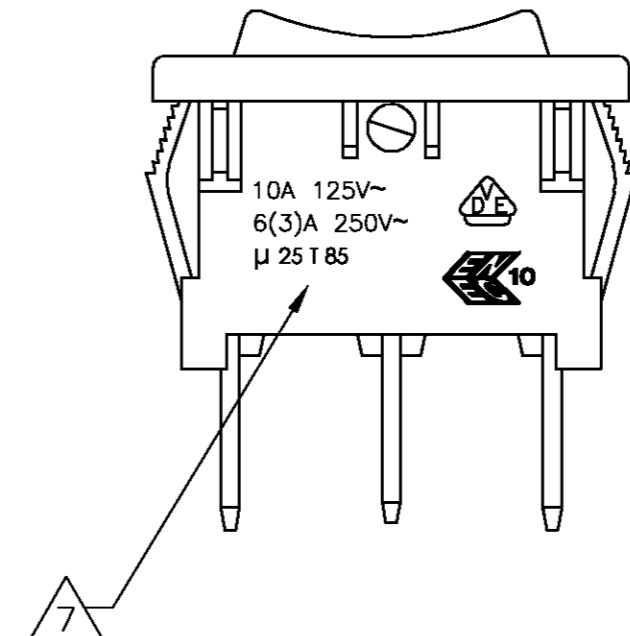
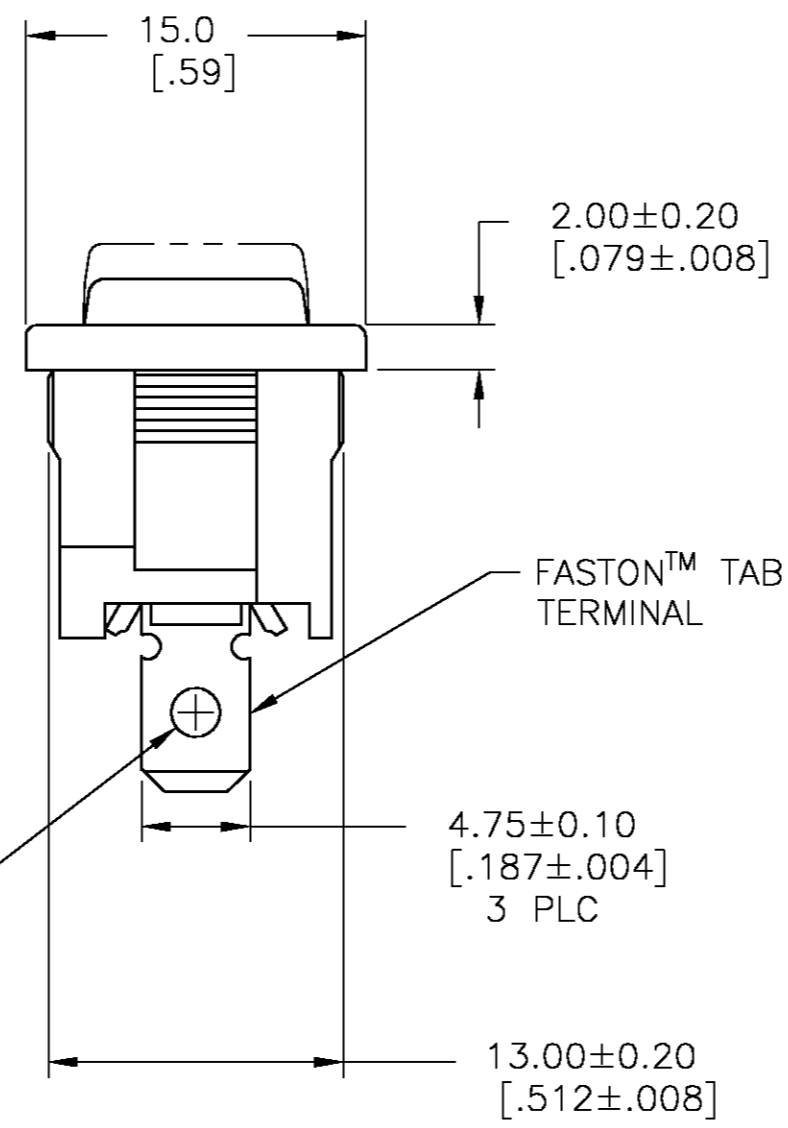
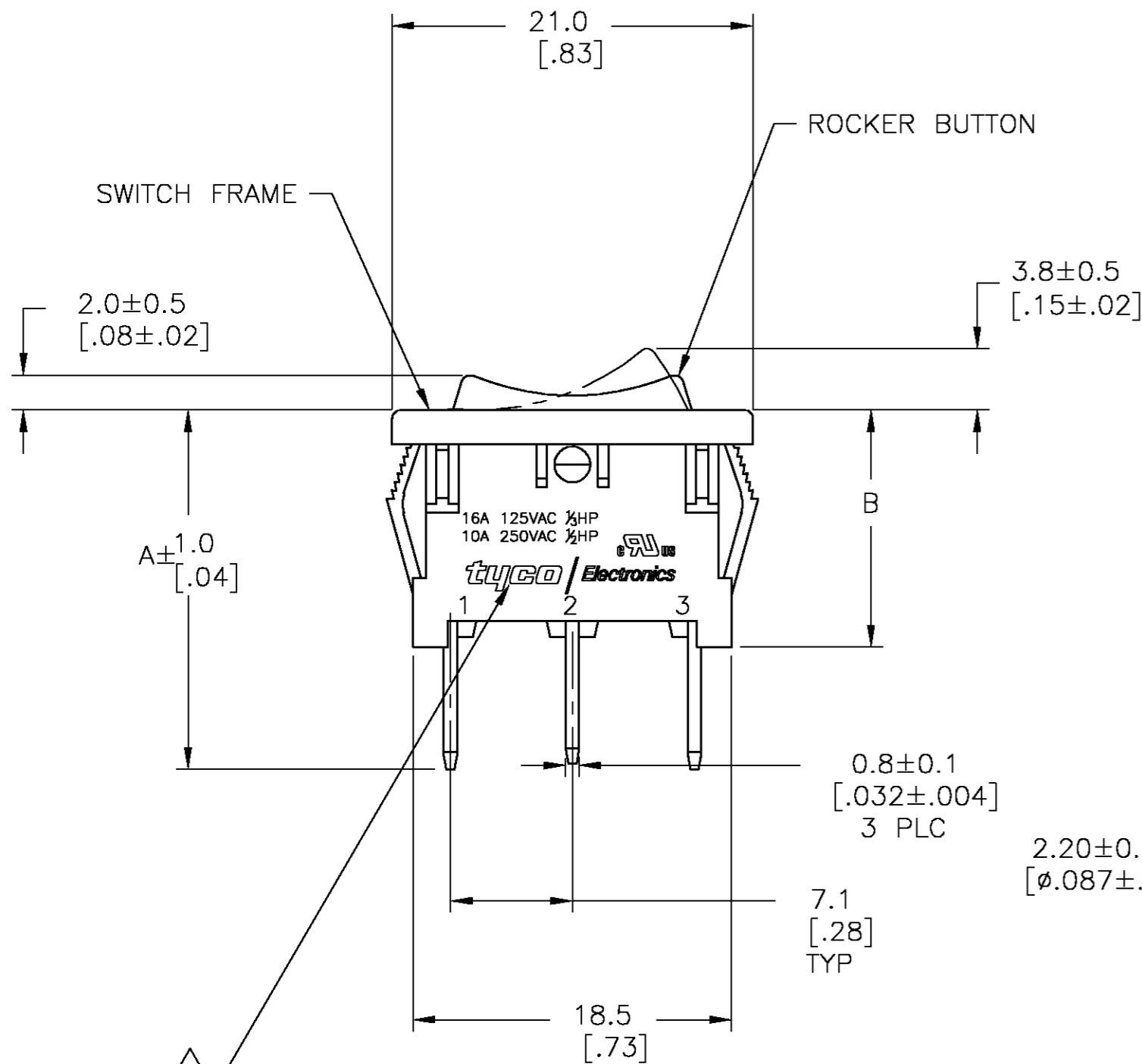
LOC	DIST	REVISIONS			
P	LTR	DESCRIPTION	DATE	DWN	APVD
AD	00	SEE SHEET 1	-	-	-



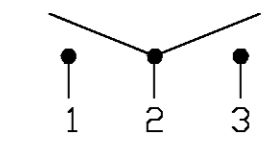
PANEL CUT OUT



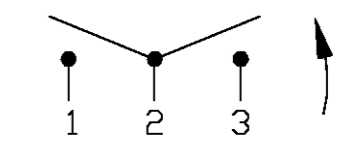
2.00-3.00 [.079-.118]	19.8-0.1 [.780-.004]	13.0+0.1 [.512+.004]
1.25-2.00 [.049-.079]	19.4-0.1 [.764-.004]	13.0+0.1 [.512+.004]
0.75-1.25 [.030-.049]	19.2-0.1 [.756-.004]	13.0+0.1 [.512+.004]
PANEL THICKNESS	X	Y



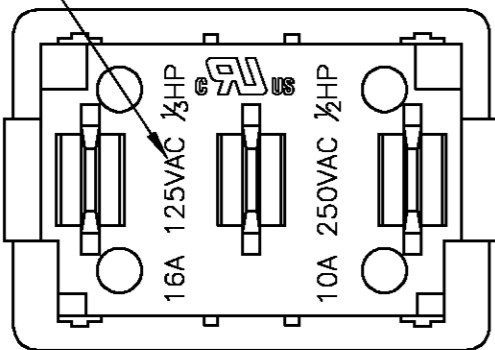
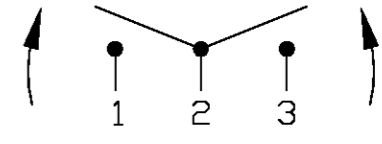
SWITCH FUNCTION D3
CIRCUIT DIAGRAM



SWITCH FUNCTION D4
CIRCUIT DIAGRAM



SWITCH FUNCTION D5
CIRCUIT DIAGRAM



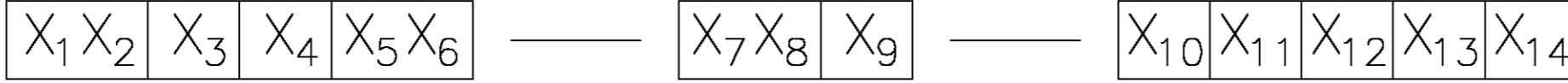
1-1571079-4 SHOWN
(THREE ROCKER BUTTON POSITIONS)

THIS DRAWING IS A CONTROLLED DOCUMENT.		DWN M.BINNER 25FEB2002	Tyco Electronics Corporation Harrisburg, PA 17057	
DIMENSIONS: MM	TOLERANCES UNLESS OTHERWISE SPECIFIED:	CHK J.MOSIER	NAME	
0 PLC ± -	1 PLC ± 0.30[.012]	APVD -	PRODUCT SPEC	
2 PLC ± 0.05[.002]	3 PLC ± -	NOT APPLICABLE	APPLICATION SPEC	
4 PLC ± -	ANGLES ± -	NOT APPLICABLE	NOT APPLICABLE	
MATERIAL	FINISH	WEIGHT -	SIZE A2	CAGE CODE 00779
CUSTOMER DRAWING		SCALE 3:1	DRAWING NO C=1571079	RESTRICTED TO -
			SHEET 2 OF 3	REV K

THIS DRAWING IS UNPUBLISHED. RELEASED FOR PUBLICATION
 © COPYRIGHT BY TYCO ELECTRONICS CORPORATION. ALL RIGHTS RESERVED.

LOC		DIST		REVISIONS			
P	LTR	DESCRIPTION	DATE	DWN	APVD		
-	-	SEE SHEET 1	-	-	-		

ALCOSWITCH PART NUMBER



SWITCH TYPE: X1 X2 = PR - POWER ROCKER

NOMINAL PANEL CUT OUT SIZE: X3 = A - 13.0x19.2 [.512x.756]

NUMBER OF POLES: X4 = S - SINGLE

SWITCH FUNCTION: X5 X6 = D1 - ON-ON WITH OPAQUE, SINGLE-COLOR ROCKER BUTTON
 D2 - ON-(ON) WITH OPAQUE, SINGLE-COLOR ROCKER BUTTON
 D3 - ON-OFF-ON WITH OPAQUE, SINGLE-COLOR ROCKER BUTTON
 D4 - ON-OFF-(ON) WITH OPAQUE, SINGLE-COLOR ROCKER BUTTON
 D5 - (ON)-OFF-(ON), WITH OPAQUE, SINGLE-COLOR ROCKER BUTTON

CURRENT RATING: X7 X8 = 16 - Δ 6

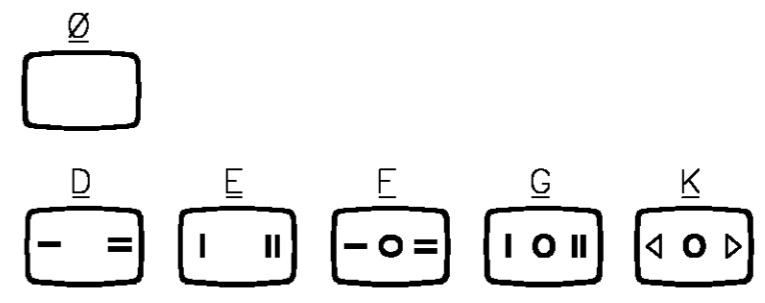
TERMINAL TYPE: X9 = E - FASTON™ TAB
 L - SOLDER LUG

FRAME COLOR: X10 = B - BLACK
 W - WHITE

ROCKER COLOR: X11 = B - BLACK
 G - GREEN
 R - RED
 W - WHITE

SECONDARY ROCKER COLOR: X12 = \emptyset - NOT APPLICABLE
 B - BLACK
 G - GREEN
 R - RED
 W - WHITE

LEGEND TEXT PATTERN: X13 =



LEGEND TEXT COLOR: X14 = \emptyset - NOT APPLICABLE
 G - GREEN
 R - RED
 B - BLACK
 W - WHITE

1 MATERIALS:
 ROCKER BUTTON & HOUSING FRAME: NYLON 66, UL 94 V-2.
 TERMINAL, ACTIVE CONTACTOR: COPPER ALLOY PER ASTM B152/B152M
 PLUNGER: COPPER ALLOY PER ASTM B036
 PHENOLIC, UL94V1(SWITCH FUNCTION D5 ONLY)
 SPRING: STEEL WIRE PER ASTM A228/A228M
 CONTACT: SILVER-TIN OXIDE

2 FINISH:
 TERMINAL, ACTIVE CONTACTOR: 1.0 μ m [.000039] MIN SILVER
 COPPER ALLOY PLUNGER: 3.0 μ m [.000118] MIN NICKEL

3 ELECTRICAL SPECIFICATIONS:
 CURRENT AND VOLTAGE: Δ 6
 CONTACT RESISTANCE (INITIAL): <100m Ω (5V, 1A DC)
 DIELECTRIC STRENGTH (INITIAL): >1000 VAC, 1 MINUTE
 INSULATION RESISTANCE (INITIAL): >100M Ω MIN (500VDC BETWEEN OPEN CONTACTS)
 INRUSH CURRENT: 50A / 3msec (CAPACITIVE LOAD)
 ELECTRICAL LIFE ENDURANCE: >6000 OPERATIONS, VOLTAGE DROP: <100mV
 TEMPERATURE RISE AT TERMINALS: <30°C, 6000 OPERATIONS (AMBIENT CONDITIONS: 25 \pm 2°C AND 65 \pm 5%R.H)

4 MECHANICAL SPECIFICATIONS:
 ACTUATING FORCE: 150g MIN, 650g MAX
 OPERATING LIFE ENDURANCE: >100,000 OPERATIONS
 TERMINAL RETENTION STRENGTH: >2.5kg- SOLDER LUG
 >6.8kg- FASTON TAB

5 ENVIRONMENTAL SPECIFICATIONS:
 AMBIENT TEMPERATURE: -20°C TO +85°C
 HUMIDITY: MAX 85%
 SALT SPRAY: NO REMAKABLE RUST IN METAL PARTS. (5% SALT / 35°C 24HRS)
 SHOCK: NO MECHANICAL DEFECT OR DAMAGE. (100g / 10MSEC/ X,Y,Z 3 TIMES)
 VIBRATION: NO MECHANICAL DEFECT OR DAMAGE. (10-55Hz / 1.5mm/ X,Y,Z 2HRS)

6 UL: 16A@125VAC 1/2HP / 10A@250VAC 1/2HP
 ENEC: 10A 125V~, 6(3)A 250V~, μ 25T85

7 ELECTRICAL RATINGS, APPROVED AGENCY LOGOS, TERMINAL IDENTIFICATION NUMBERS, AND THE TYCO/ELECTRONICS LOGO, MOLDED APPROXIMATELY AS SHOWN ON THE SIDE AND/OR BOTTOM SURFACE(S) OF THE SWITCH HOUSING.

8 COMPONENT RECOGNIZED TO US & CANADIAN STANDARDS, UL FILE NO. E46765.

9 COMPONENT RECOGNIZED TO EUROPEAN STANDARDS (ENEC & VDE). MARKS LICENSE No. 40006757

16.5 [.65]	23.5 [.93]	2	PRASD5-16F-BB0KW	1-1571079-6
16.5 [.65]	23.5 [.93]	2	PRASD4-16F-BB0GW	1-1571079-5
16.5 [.65]	23.5 [.93]	2	PRASD4-16F-BB0FW	1-1571079-4
16.5 [.65]	23.5 [.93]	2	PRASD4-16F-BB000	1-1571079-3
13.8 [.54]	20.9 [.82]	1	PRASD2-16F-BB0EW	1-1571079-2
13.8 [.54]	20.9 [.82]	1	PRASD2-16F-BB0DW	1-1571079-1
13.8 [.54]	20.9 [.82]	1	PRASD2-16F-BB000	1-1571079-0
16.5 [.65]	23.5 [.93]	2	PRASD3-16F-BB0GW	1571079-9
16.5 [.65]	23.5 [.93]	2	PRASD3-16F-BB0FW	1571079-8
16.5 [.65]	23.5 [.93]	2	PRASD3-16F-BB000	1571079-7
13.8 [.54]	20.9 [.82]	1	PRASD1-16F-BB0EW	1571079-6
13.8 [.54]	20.9 [.82]	1	PRASD1-16F-BB0DW	1571079-5
13.8 [.54]	20.9 [.82]	1	PRASD1-16F-BB000	1571079-4
B	A	SHEET REF.	ALCOSWITCH PART NUMBER	TYCO PART NUMBER

THIS DRAWING IS A CONTROLLED DOCUMENT. 25FEB2002
 DWN M.BINNER
 CHK J.MOSIER
 APVD -
 PRODUCT SPEC NOT APPLICABLE
 APPLICATION SPEC NOT APPLICABLE
 MATERIAL FINISH
 WEIGHT -
 CUSTOMER DRAWING

tyco Electronics Tyco Electronics Corporation Harrisburg, PA 17057
 NAME POWER ROCKER SWITCH, 13.0mm X 19.2mm
 PANEL CUT-OUT SIZE, SINGLE POLE, DOUBLE-THROW, THREE TERMINALS, NON-ILLUMINATED
 SIZE A2 CAGE CODE 00779 DRAWING NO. C=1571079 RESTRICTED TO -
 SCALE 1:1 SHEET 3 OF 3 REV K