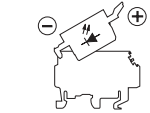


Fuse holder terminal blocks for 5 x 20 mm and 5 x 25 mm fuses

Compression clamp

DIN 1 - DIN 3



*Blocks with LED indicator are labeled "+" on the outside of the lever. The indicator can be reversed in the field if required.

** Terminal block with low temperature surfacing :
 Storage -60°C
 Use -20°C

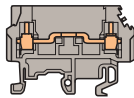
End stop	th. 9,1 mm	BADL	V0	0199 408.02
End stop	th. 9,1 mm	BAM		0103 002.26
Other end stops : See Accessories section				
Rail	35 x 7,5 x 1	PR30	prepunched	0173 220.05
Rail	35 x 15 x 2,3	PR4		0168 500.12
Rail	35 x 15 x 1,5	PR5	prepunched	0101 598.26
Rail	32 x 15	PR122		0163 050.04
Other rails : See Accessories section				

Notes

The use of some accessories may decrease the block's voltage rating. For more information, consult us.

Block matching fuse terminal block M 4/8.SF for line, fuse applications, see page 137.

Type	Part number
M 4/8	0115 523.07

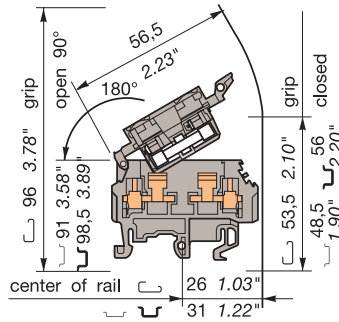


Accessories

	1 End section	grey orange beige	FEM8S	V2	th. 1,5 mm	0116 951.15
	2 Test plug		FEM8S	V2	th. 1,5 mm	0103 923.15
	3 Comb type jumper bar	35 A	FEM8S	V0	th. 1,5 mm	0196 951.16
	4 IDC jumper		PC81		10 poles	0173 523.11
	5 Assembly rod		AD2,5		DIA. 2 mm	0114 205.20
	6 Assembly ring		TGA8		2 poles 3 poles 4 poles	0168 672.11 0168 773.12 0168 674.13
	7 Fuses 5 x 20 mm	250 V	ANT			0168 675.14
	Fuses 5 x 25 mm	250 V	FU520		5 x 20 0,5 A 1 A 2 A 3,15 A 4 A 5 A	0008 288.15 0008 290.13 0008 291.00 0008 289.16 0168 834.24 0008 292.01
	Fast fusion HPC 1500 A		FU525		5 x 25 1,6 A 2 A 2,5 A 4 A 6,3 A	0167 546.22 0167 547.23 0167 548.04 0167 549.05 0167 550.02
	8 Disconnect link bar		CN5			0179 371.16
	R See section on markers marking method					

M 4/8.SF...

Spacing 8 mm (.315")



Standard 8 mm block.

Color	Type	Part numbers
Grey	M 4/8.SF	0115 657.25
Grey **	M 4/8.SF1.TS	0115 658.06
Orange	M 4/8.SF2	0105 135.11
Beige V0	M 4/8.SF.V0	0195 657.26

Characteristics

Wire size	IEC		UL	CSA
	NFC	DIN		
Compression Solid wire	0,5-4 mm ²		22-12 AWG	24-12 AWG
clamp Stranded wire	0,5-4 mm ²		22-12 AWG	24-12 AWG

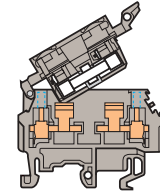
Voltage			
Rated	630 V (1)	600 V (1)	250 V
Pulse	8 kV		
Pollution degree	3		

Current			
Rated	6,3 A	10 A	10 A

Wire size			
Rated / Gauge	4 mm ² / A4	12 AWG	12 AWG
Wire stripping length	Recomm. screwdriver 4 mm .157"	Recomm. torque 0,5-0,8 Nm 4.4-7 lb.in	Protection IP 20 (2) NEMA 1

M 4/8.SFT

Spacing 8 mm (.315")



M 4/8.SF equipped with two test sockets DIA. 2 mm/.079".

Color	Type	Part numbers
Grey	M 4/8.SFT	0115 662.22
Beige V0	M 4/8.SFT.V0	0195 662.23

Characteristics

Wire size	IEC		UL	CSA
	NFC	DIN		
Compression Solid wire	0,5-4 mm ²		22-12 AWG	24-12 AWG
clamp Stranded wire	0,5-4 mm ²		22-12 AWG	24-12 AWG

Voltage			
Rated	400 V (1)	600 V (1)	250 V
Pulse	4 kV		
Pollution degree	3		

Current			
Rated	6,3 A	6,3 A	10 A

Wire size			
Rated / Gauge	4 mm ² / A4	12 AWG	12 AWG
Wire stripping length	Recomm. screwdriver 4 mm .157"	Recomm. torque 0,5-0,8 Nm 4.4-7 lb.in	Protection IP 20 (2) NEMA 1

Type	Part numbers
FEM8S V2 th. 1,5 mm	0116 951.15
FEM8S V2 th. 1,5 mm	0103 923.15
FEM8S V0 th. 1,5 mm	0196 951.16
PC81 10 poles	0173 523.11
AD2,5 DIA. 2 mm	0114 205.20
TGA8 2 poles	0168 672.11
TGA8 3 poles	0168 773.12
TGA8 4 poles	0168 674.13
ANT	0168 675.14
FU520 5 x 20	
0,5 A	0008 288.15
1 A	0008 290.13
2 A	0008 291.00
3,15 A	0008 289.16
4 A	0168 834.24
5 A	0008 292.01
FU525 5 x 25	
1,6 A	0167 546.22
2 A	0167 547.23
2,5 A	0167 548.04
4 A	0167 549.05
6,3 A	0167 550.02
CN5	0179 371.16

Type	Part numbers
FEM8S V2 th. 1,5 mm	0116 951.15
FEM8S V2 th. 1,5 mm	0103 923.15
FEM8S V0 th. 1,5 mm	0196 951.16
FC2 DIA. 2 mm	0007 865.22
PC81 10 poles	0173 523.11
AD2,5 DIA. 2 mm	0114 205.20
TGA8 2 poles	0168 672.11
TGA8 3 poles	0168 773.12
TGA8 4 poles	0168 674.13
ANT	0168 675.14
FU520 5 x 20	
0,5 A	0008 288.15
1 A	0008 290.13
2 A	0008 291.00
3,15 A	0008 289.16
4 A	0168 834.24
5 A	0008 292.01
FU525 5 x 25	
1,6 A	0167 546.22
2 A	0167 547.23
2,5 A	0167 548.04
4 A	0167 549.05
6,3 A	0167 550.02
CN5	0179 371.16

(6) RC610 on grip (17) RC810 on side (6) RC610 on grip (17) RC810 on side

Note : (1) Insulation voltage of terminal block - operating voltage : in accordance with fuse rating.
 (2) Protection index for closed block.