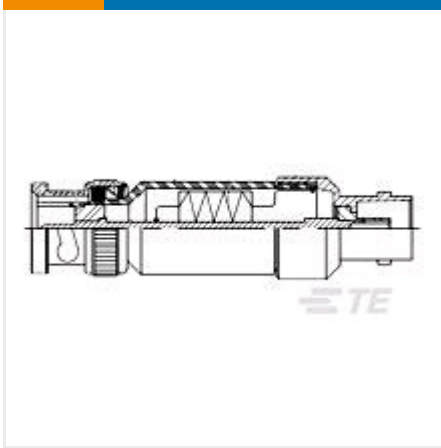




**CONNECTORS**

**IN-SERIES ADAPTERS**



✓ Active

TE CONNECTIVITY (TE)

## BNC Thru Term 50Ohm Silver Pltd

Miniature Coax

1-1478207-0

TE Internal Number: 1-1478207-0

[EU RoHS Compliant with Exemptions](#)

[EU ELV Compliant with Exemptions](#)

**RF Connector Type** BNC

**50 Ohm** Yes

**75 Ohm** No

**Body Style** Straight

**Center Contact Material** Brass

 **PRODUCT DRAWING**  
English

### DOCUMENTATION

Product Drawings

#### **BNC THROUGH TERMINATION P-J 50 OHM**

PDF

**English**

### FEATURES

Please review product documents or [contact us](#) for the latest agency approval information.

Please Note: Use the Product Drawing for all design activity.

Product Type Features

**RF Connector Type** BNC

**Sealable** No

**Grade** Professional

**Product Type** Adapter

**Isolated Ground** No

---

Configuration Features

**Snap-Lock** Without

---

Electrical Characteristics

**50 Ohm** Yes

**75 Ohm** No

**Impedance ( $\Omega$ )** 50

**Resistor Specification (W)** 1  $\pm$ 2%

---

Signal Characteristics

**Frequency (GHz)** 1

---

Body Features

**Body Plating Material** Silver

**Body Style** Straight

**Body Material** Brass

**Body Shape** Circular

**Gasket Color** White

**Body Insulation** With

---

Contact Features

**Center Contact Material** Brass

**Center Contact Plating Material** Silver

---

Mechanical Attachment

**Safety Wire Holes** Without

**Polarized** No

---

Packaging Features

**Packaging Quantity** 50

**Packaging Method** Tray

---

Other

**Gasket Material** Silicone Rubber

---

## PRODUCT COMPLIANCE



Statement of Compliance

**Statement of Compliance**

PDF

---

