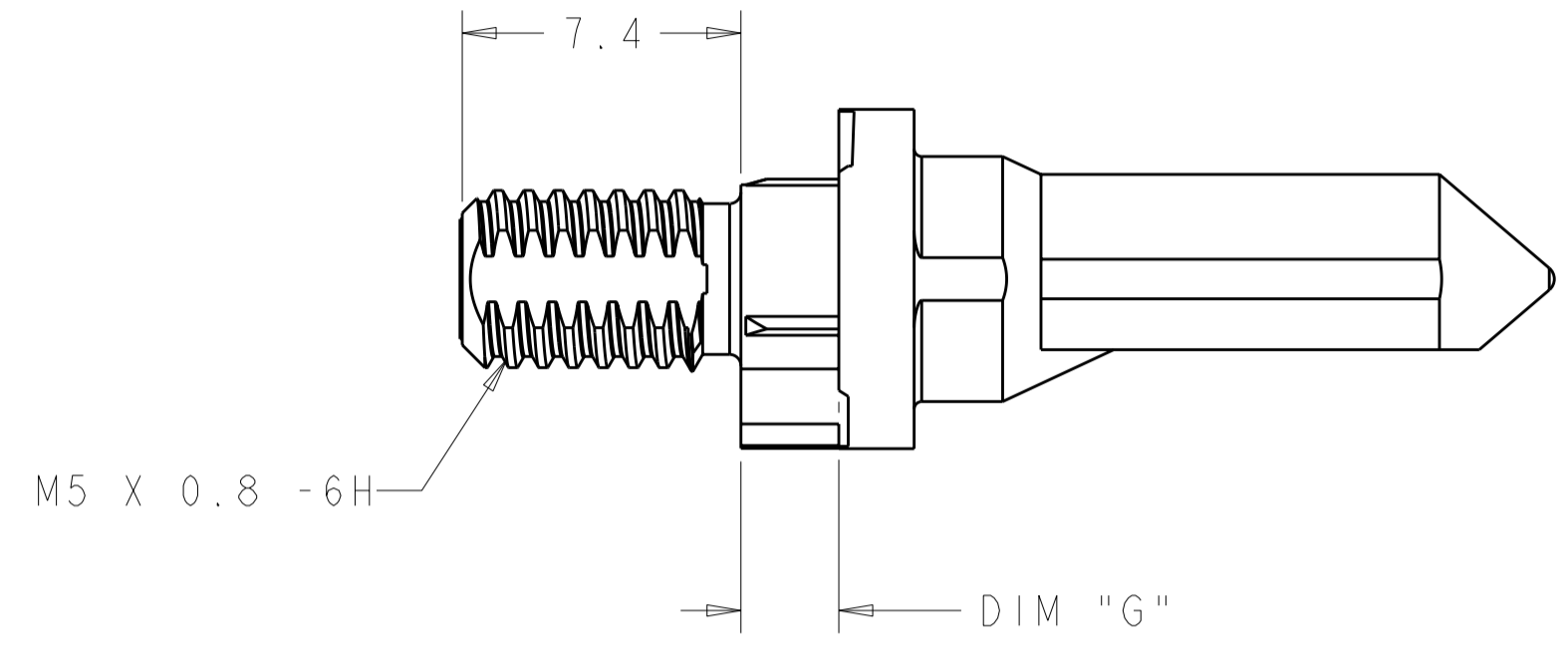
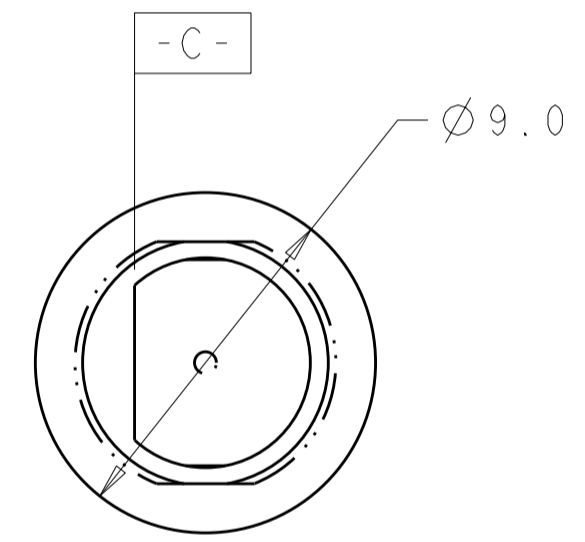
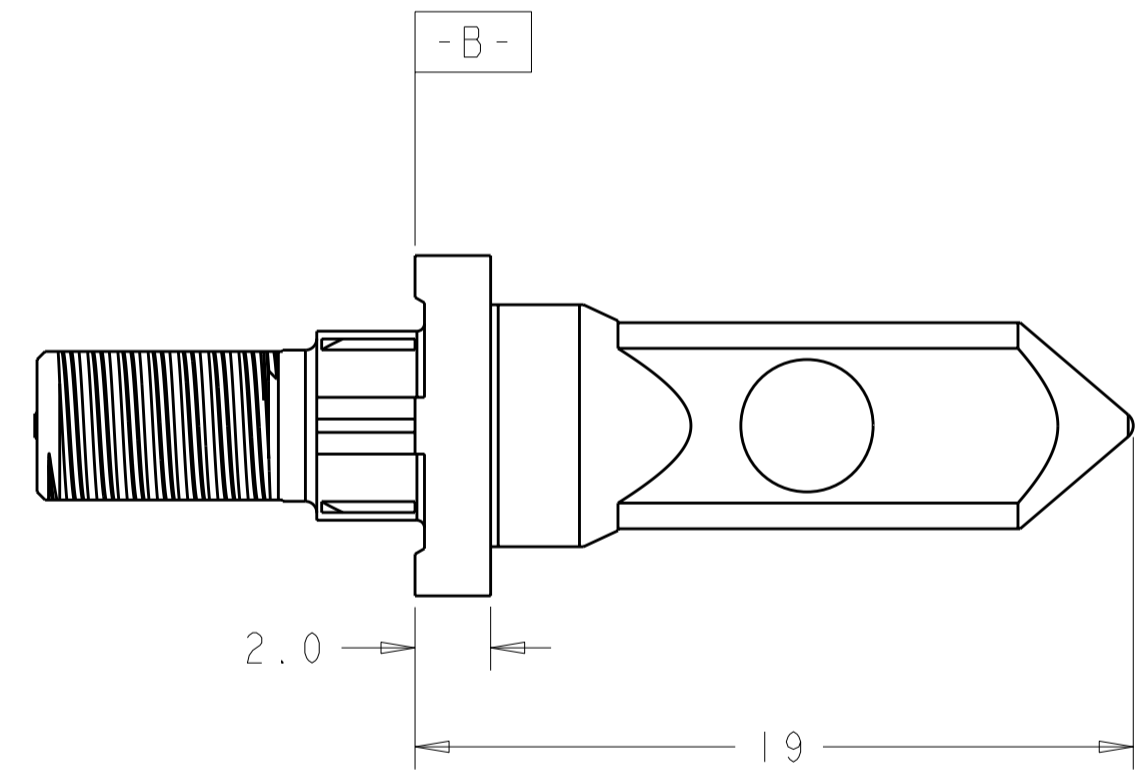
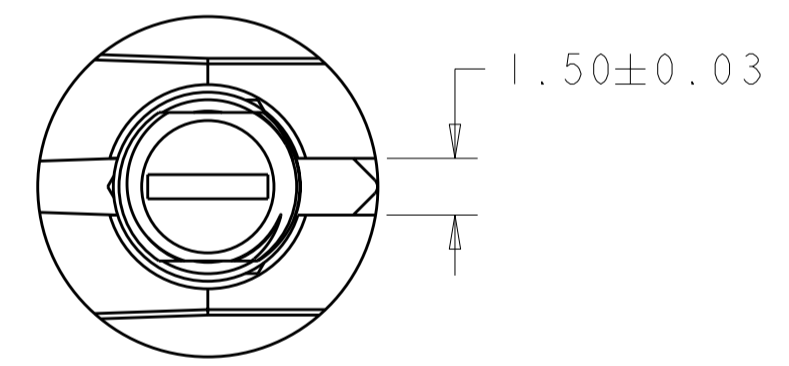


THIS DRAWING IS UNPUBLISHED. RELEASED FOR PUBLICATION 20
 © COPYRIGHT 20 BY TYCO ELECTRONICS CORPORATION. ALL RIGHTS RESERVED.

| LOC | | DIST | | REVISIONS | | | |
|-----|-----|-------------|-----------------------|-----------|------|----|--|
| P | LTR | DESCRIPTION | DATE | DWN | APVD | | |
| CG | 00 | A | REV PER ECO-09-022892 | 21OCT2009 | BC | RP | |
| | | | | | | | |



- 1 KEY HOLE ORIENTATION (DIM A) PER MATING GUIDE MODULE PART NUMBER TABLE (ORIENTATION SHOWN ON PCB LAYOUT IS FOR 1-1469492-2).
- 2 ANNULAR RING PLATED AROUND GUIDE PIN MOUNTING HOLE ON TOP AND BOTTOM SIDE OF BOARD.
- 3 FINISH:
3.81µm MINIMUM SILVER IN CONTACT AREA OVER NICKEL OVER COPPER ALL OVER.

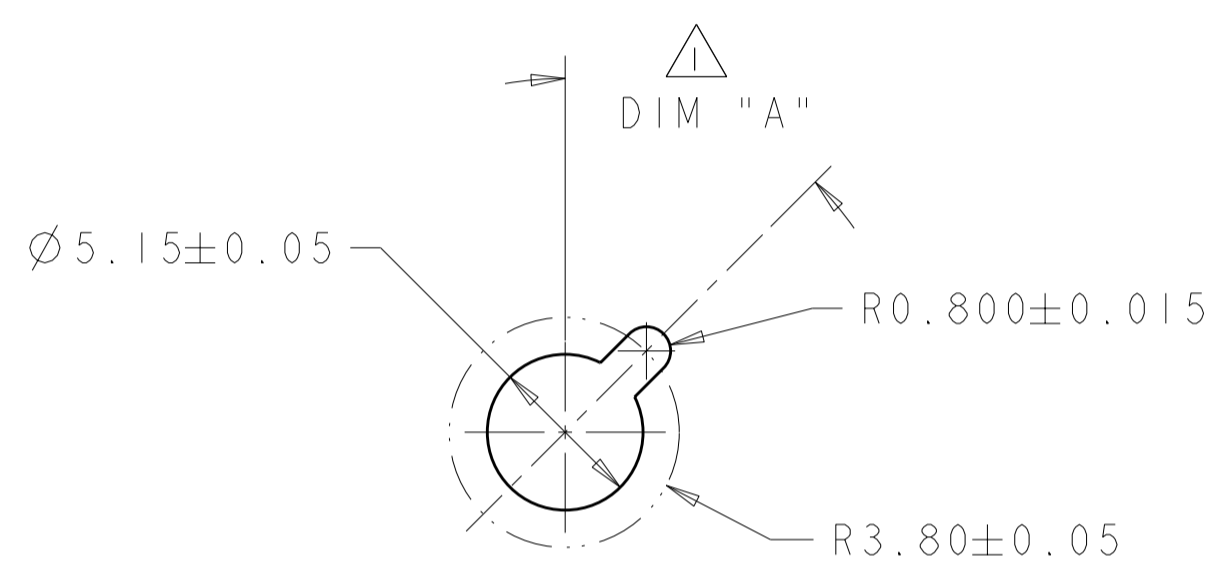


| | | |
|--------|---------|-------------|
| 3 | 5.70 | 1-1410999-4 |
| 3 | 4.20 | 1-1410999-3 |
| 3 | 2.60 | 1-1410999-2 |
| FINISH | DIM "G" | PART NUMBER |

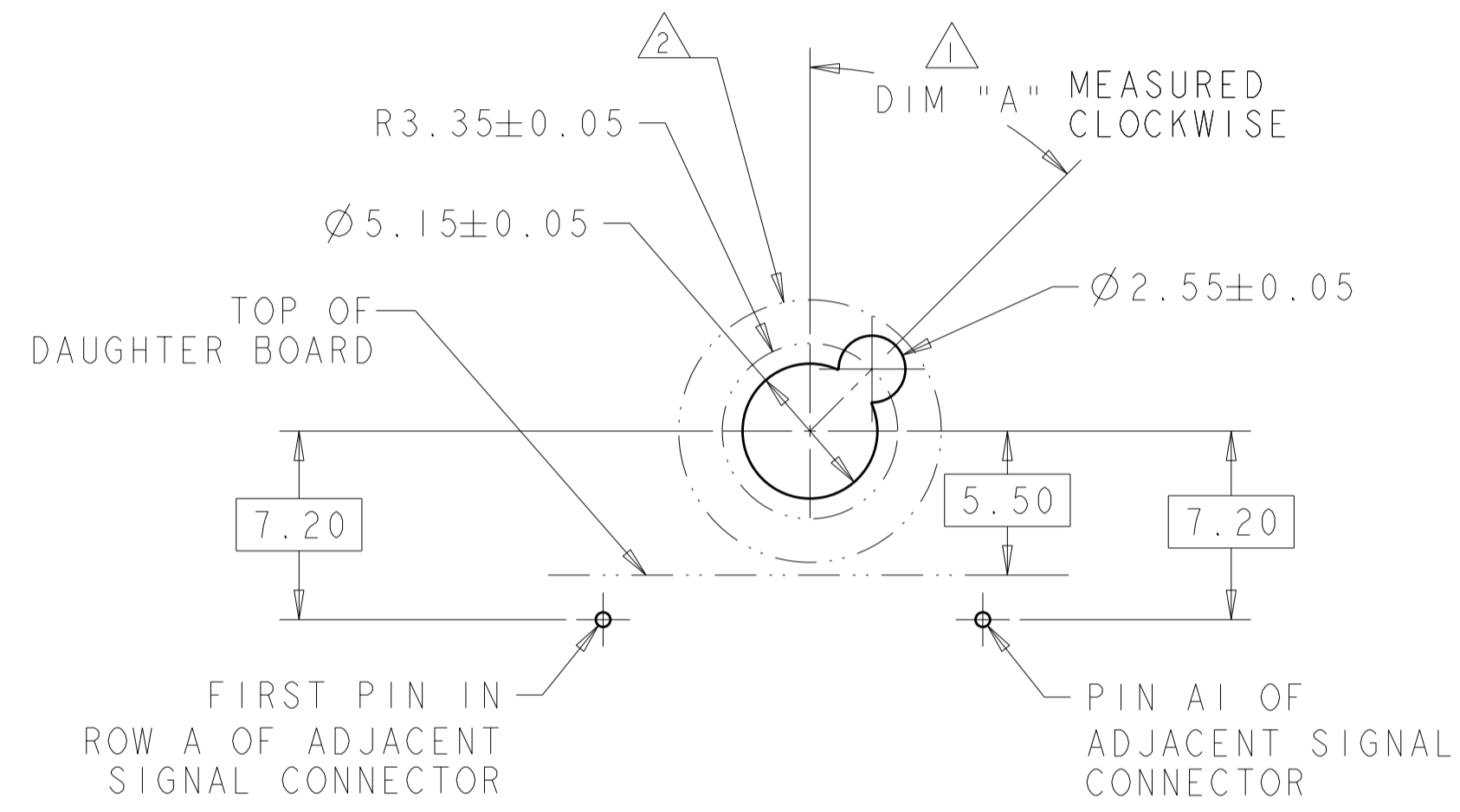
| DIMENSIONS: | | TOLERANCES UNLESS OTHERWISE SPECIFIED: | | DWN | | Tyco Electronics | | | |
|-------------|---|--|--------------|------------------|-----------|--|-----------|------------|---------------|
| mm | | 0 PLC ±- | 1 PLC ±0.5 | B. CARBO | 22AUG2006 | Tyco Electronics Harrisburg, PA 17105-3608 | | | |
| | | 2 PLC ±0.13 | 3 PLC ±0.013 | CHK | 22AUG2006 | NAME KEYED GUIDE PIN, DIE CAST BACKPLANE CONNECTOR, MULTIGIG, THREADED POST | | | |
| | | 4 PLC ±- | ANGLES ±- | APVD | 22AUG2006 | | | | |
| MATERIAL | 1 | FINISH | 2 | PRODUCT SPEC | 108-2072 | SIZE | CAGE CODE | DRAWING NO | RESTRICTED TO |
| | | | | APPLICATION SPEC | 114-13056 | A2 | 00779 | 1410999 | - |
| | | | | WEIGHT | - | CUSTOMER DRAWING | | SCALE | SHEET |
| | | | | | | 5:1 | 1 | 2 | REV |
| | | | | | | | | | A |

THIS DRAWING IS UNPUBLISHED. RELEASED FOR PUBLICATION 20
 © COPYRIGHT 20 BY TYCO ELECTRONICS CORPORATION. ALL RIGHTS RESERVED.

| LOC | DIST | REVISIONS | | | | | |
|-----|------|-----------|-----|-------------|------|-----|------|
| CG | 00 | P | LTR | DESCRIPTION | DATE | DWN | APVD |
| | | - | | SEE SHEET 1 | | | |



ALTERNATE PCB LAYOUT FOR GUIDE POST
SCALE 4:1



TIER 2 GUIDE PIN FOOTPRINT
(20.3mm SIGNAL MODULES)
SCALE 4:1

| | | |
|-----------------------|---------|---------------------|
| 3 | - | 1-1469492-9 |
| 3 | 315° | 1-1469492-8 |
| 3 | 270° | 1-1469492-7 |
| 3 | 90° | 1-1469492-3 |
| 3 | 45° | 1-1469492-2 |
| 3 | 0° | 1-1469492-1 |
| FINISH | DIM "A" | 20.3mm GUIDE MODULE |
| MATING GUIDE MODULE 1 | | |

| | | | | |
|---|--|----------------------------------|--|--------------------|
| THIS DRAWING IS A CONTROLLED DOCUMENT FOR TYCO ELECTRONICS CORPORATION. IT IS SUBJECT TO CHANGE AND THE CONTROLLING ENGINEERING ORGANIZATION SHOULD BE CONTACTED FOR THE LATEST REVISION. | | DWN B. CARBO 22AUG2006 | Tyco Electronics Harrisburg, PA 17105-3608 | |
| DIMENSIONS: mm | | CHK G. GRIFFITH 22AUG2006 | NAME KEYED GUIDE PIN, DIE CAST BACKPLANE CONNECTOR, MULTIGIG, THREADED POST | |
| TOLERANCES UNLESS OTHERWISE SPECIFIED: 0 PLC ± 1 PLC ±0.5 2 PLC ±0.13 3 PLC ±0.013 4 PLC ± ANGLES ± FINISH | | APVD G. GRIFFITH 22AUG2006 | RESTRICTED TO | |
| MATERIAL | | PRODUCT SPEC 108-2072 | SIZE A2 | CAGE CODE 00779 |
| | | APPLICATION SPEC 114-13056 | DRAWING NO 1410999 | REV A |
| | | WEIGHT | SCALE 1:1 SHEET 2 OF 2 | |
| | | CUSTOMER DRAWING | | |